

[54] TELEPHONE STAND OR SIMILAR KEYBOARD ARTICLE

[75] Inventors: Donald M. Genaro, Haworth, N.J.; John N. McGarvey, Drexel Hill, Pa.

[73] Assignee: AT&T Bell Laboratories, Murray Hill, N.J.

[**] Term: 14 Years

[21] Appl. No.: 573,424

[22] Filed: Jan. 24, 1984

Related U.S. Application Data

[63] Continuation-in-part of Ser. No. 345,559, Feb. 4, 1982, which is a continuation-in-part of Ser. No. 84,067, Oct. 12, 1979, Pat. No. Des. 265,401.

[52] U.S. Cl. D14/60; D14/62

[58] Field of Search D14/52, 85, 53, 76, D14/59, 66, 60, 65, 62, 58, 115, 101, 92; 179/90 K, 178, 179; D25/80, 92; D18/6, 7

[56] References Cited

U.S. PATENT DOCUMENTS

- D. 165,017 10/1951 Metzler D14/58
D. 196,652 10/1963 Beals et al. D14/65
D. 206,227 11/1966 Cuccio et al. D14/57
D. 219,383 12/1970 Fox D14/52
D. 221,951 9/1971 Kindley D14/115
D. 247,174 2/1978 Janda D14/57
D. 247,813 5/1978 Genaro et al. D14/60
D. 250,891 1/1979 Renard D14/3
D. 255,235 6/1980 Kepford D14/101
D. 260,643 9/1981 Foggia et al. D14/60
D. 262,215 12/1981 Obst D14/60
D. 264,600 5/1982 Yamasaki et al. D18/7

- D. 264,715 6/1982 Trussler D14/60
D. 265,089 6/1982 Bee D14/60
D. 270,053 8/1983 Bosch D14/66
D. 271,394 11/1983 Brown et al. D14/66
3,472,974 10/1969 McGough 179/90 K
3,967,273 6/1976 Knowlton 179/90 K
4,436,965 3/1984 Morse 179/178

OTHER PUBLICATIONS

Keyboard, article by Tolman & Vaughan, Technical Digest No. 67, 6-1982 (Western Electric); p. 23; showing of keyboard and frame.

Reprint from Digest News, 8/8/77, Cahners Publication; Membrane switches on p. 3 of reprint; pattern showing at lower half page.

Data Entry Keyboard, shown p. 100A, IEEE Spectrum; 1-78, Oak Industries, Inc., Switch Div. Crystal Lake, Ill. Standard Electric Article re LargeKey for Disabled Telephone Users, p. 100 Telephone Mag. 9/8/80, pp. 100, 102.

Primary Examiner—Wallace R. Burke

Assistant Examiner—Horace B. Fay

Attorney, Agent, or Firm—H. L. Newman

[57] CLAIM

The ornamental design for a telephone stand or similar keyboard article, substantially as shown and described.

DESCRIPTION

FIG. 1 is a top front perspective of our design for a telephone stand or similar keyboard article;

FIG. 2 is a front elevation thereof;

FIG. 3 is a rear elevation thereof;

FIG. 4 is a side elevation thereof, the opposite side being essentially a mirror image of the side shown; and

FIG. 5 is an end elevation thereof, the opposite end being essentially a mirror image of the end shown.

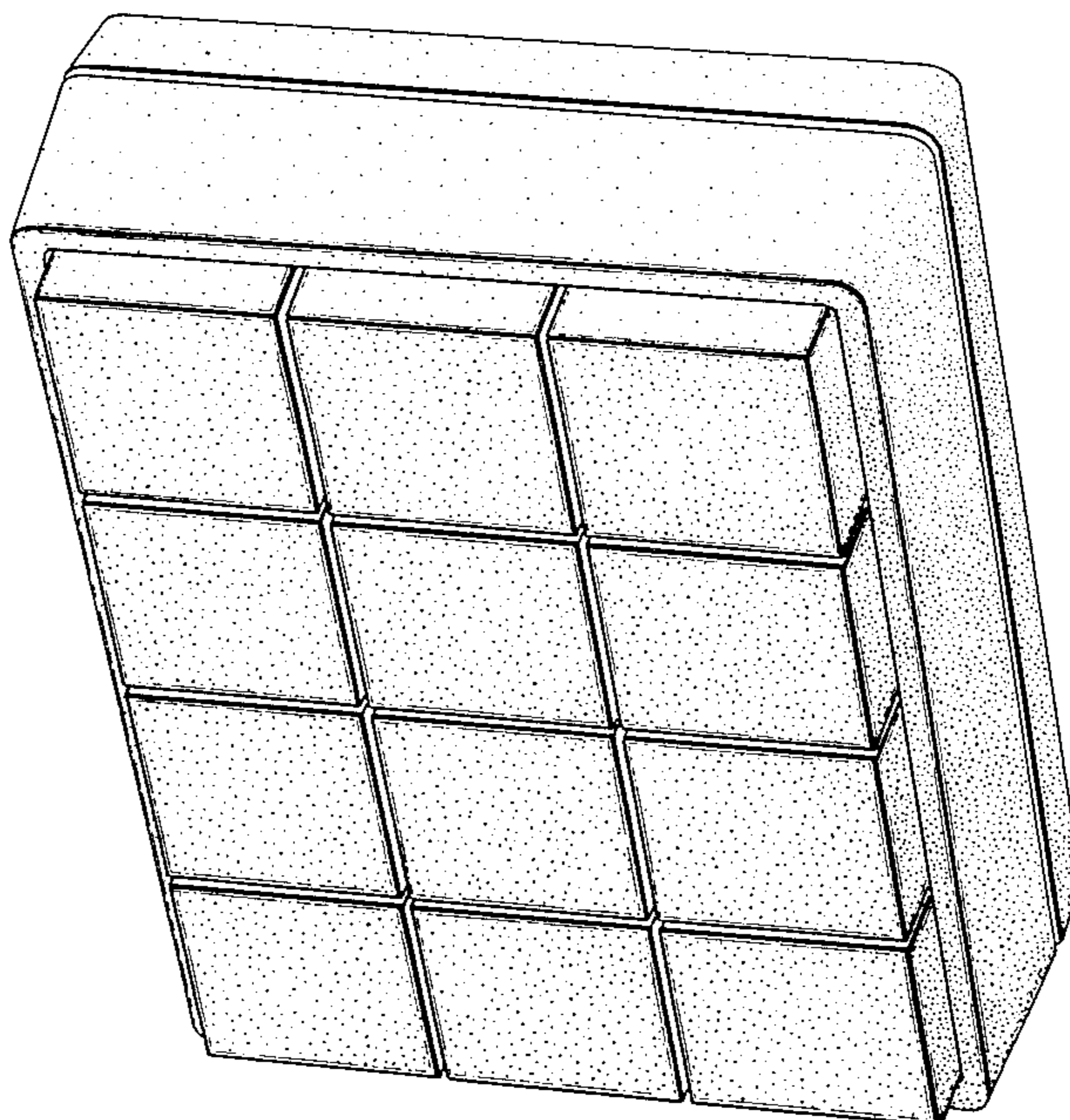


FIG. 1

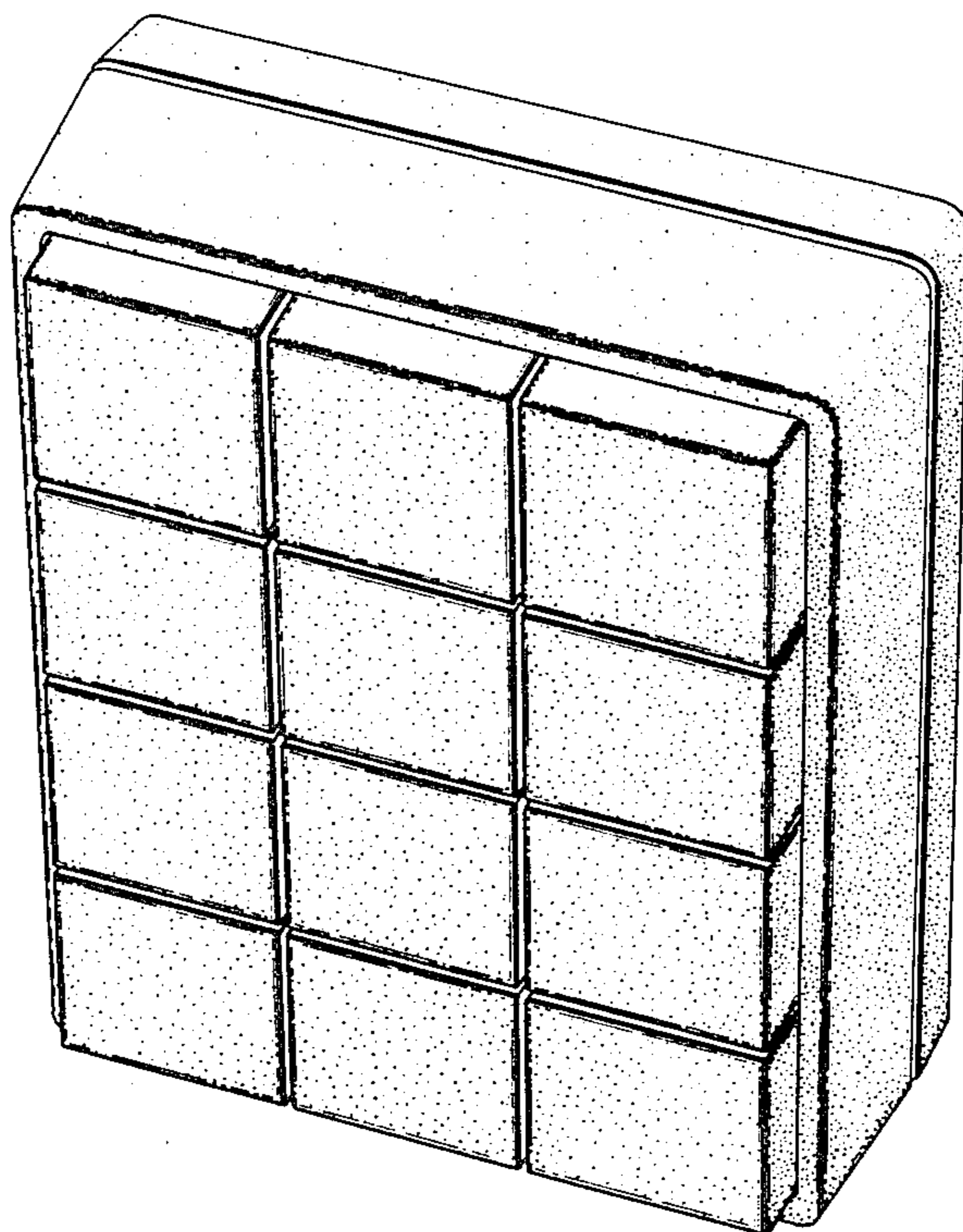


FIG. 3

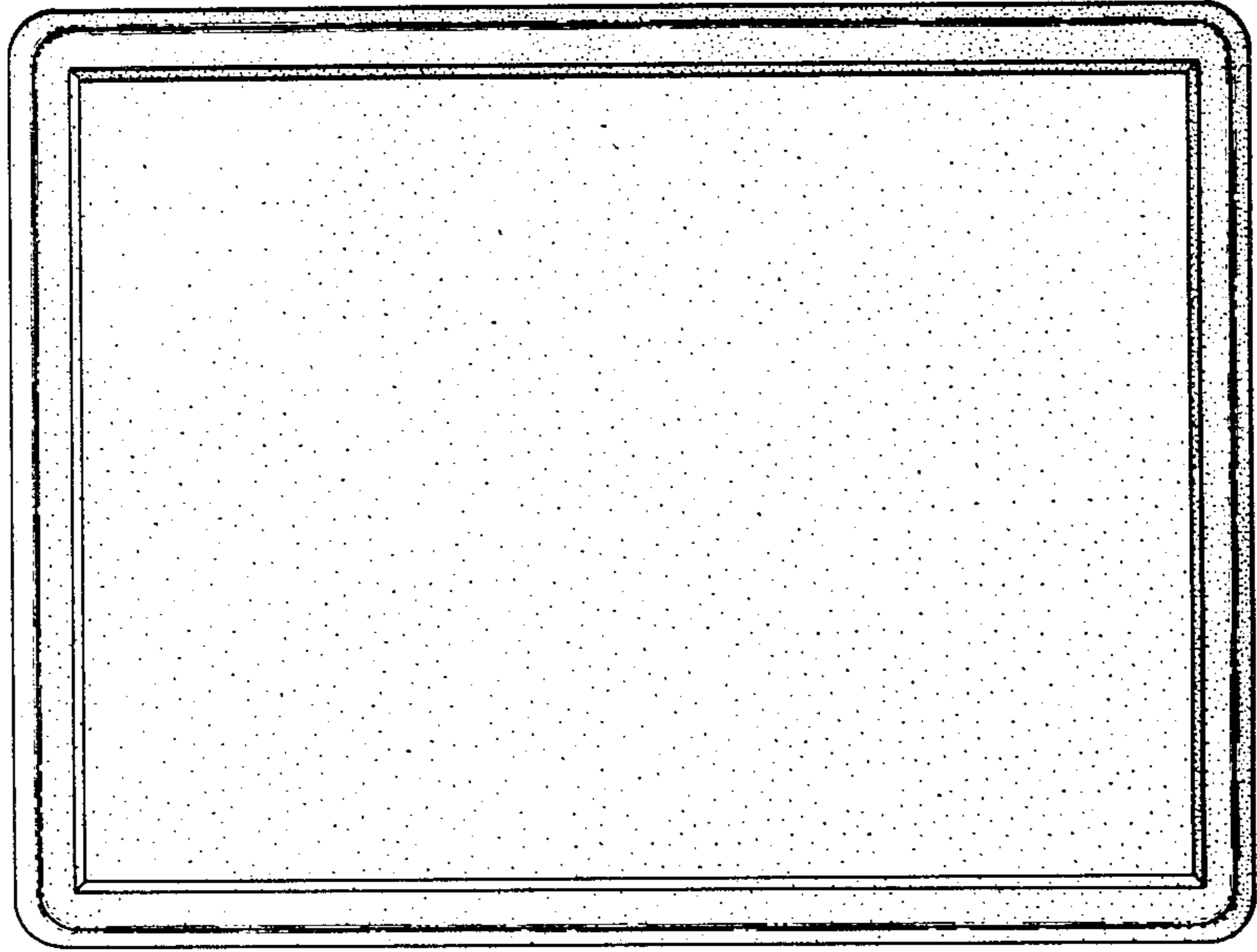


FIG. 2

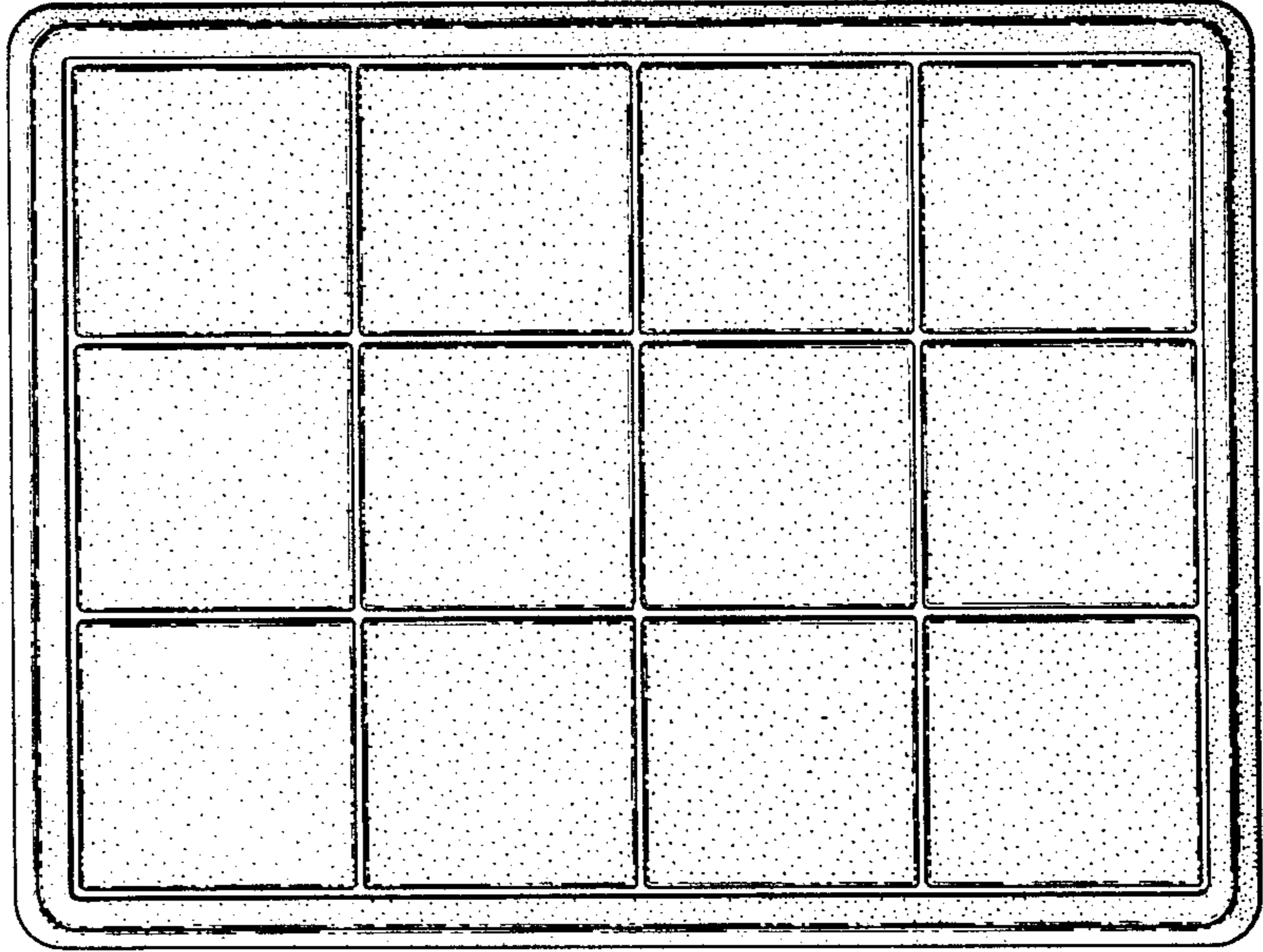


FIG. 4



FIG. 5

