

[54] HOUSING FOR A KEYBOARD OR SIMILAR ARTICLE

[75] Inventors: John N. McGarvey, Drexel Hill, Pa.; Terry B. Prince, Indianapolis, Ind.; Michael P. Zambelli, Maplewood, N.J.

[73] Assignees: AT&T Technologies, Inc., New York, N.Y.; AT&T Bell Laboratories, Murray Hill, N.J.

[**] Term: 14 Years

[21] Appl. No.: 541,774

[22] Filed: Oct. 13, 1983

[52] U.S. Cl. D14/60

[58] Field of Search D6/155, 156, 18, 27, D6/85; D14/52, 53, 58, 59, 60, 115, 100 D, 100 R, 178, 179, 146 R, 147; 248/310, 441.1, 447.4, 447.2, 441 A

[56] References Cited

U.S. PATENT DOCUMENTS

- D. 225,742 1/1973 Sims D14/100
- D. 237,977 12/1975 Isaacf D14/100
- D. 251,296 3/1979 Haas D14/52
- D. 253,831 1/1980 Genero et al. D14/53
- D. 254,436 3/1980 Bakal D14/58
- D. 265,089 6/1982 Beer D14/58
- D. 266,086 9/1982 Foggia et al. D14/58
- D. 267,873 2/1983 Brown et al. D14/60
- D. 267,879 2/1983 Keely et al. D14/100
- D. 268,342 3/1983 Genaro et al. D14/60
- D. 269,614 7/1983 Murphy D14/93

- D. 269,675 7/1983 Foggia et al. D14/53
- D. 272,149 1/1984 Genaro et al. D14/60
- D. 272,624 2/1984 Genaro et al. D14/58
- D. 273,110 3/1984 Genaro et al. D14/52

Primary Examiner—Wallace R. Burke
Assistant Examiner—Horace B. Fay
Attorney, Agent, or Firm—H. L. Newman

[57] CLAIM

The ornamental design of a housing for a keyboard or similar article, substantially as shown and described.

DESCRIPTION

FIG. 1 is a perspective view of a first embodiment housing for a keyboard or similar article embodying our new design;

FIG. 2 is a top plan view thereof;

FIG. 3 is a front elevation thereof;

FIG. 4 is a rear elevation thereof;

FIG. 5 is a side elevation thereof, the opposite side being essentially a mirror image thereof;

FIG. 6 is a bottom plan view thereof, and FIG. 10 is a plan view of an alternate bottom design for this embodiment;

FIG. 7 is a perspective view of a second embodiment of the keyboard or similar article embodying our new design; the rear elevation, side elevation, and bottom plan views of the second embodiment being essentially the same as shown in FIGS. 4, 5, and 6 respectively;

FIG. 8 is a top plan view thereof;

FIG. 9 is a front elevation view thereof; and

FIG. 10 is a bottom plan view of the second embodiment and is also an alternate bottom design for the first embodiment.

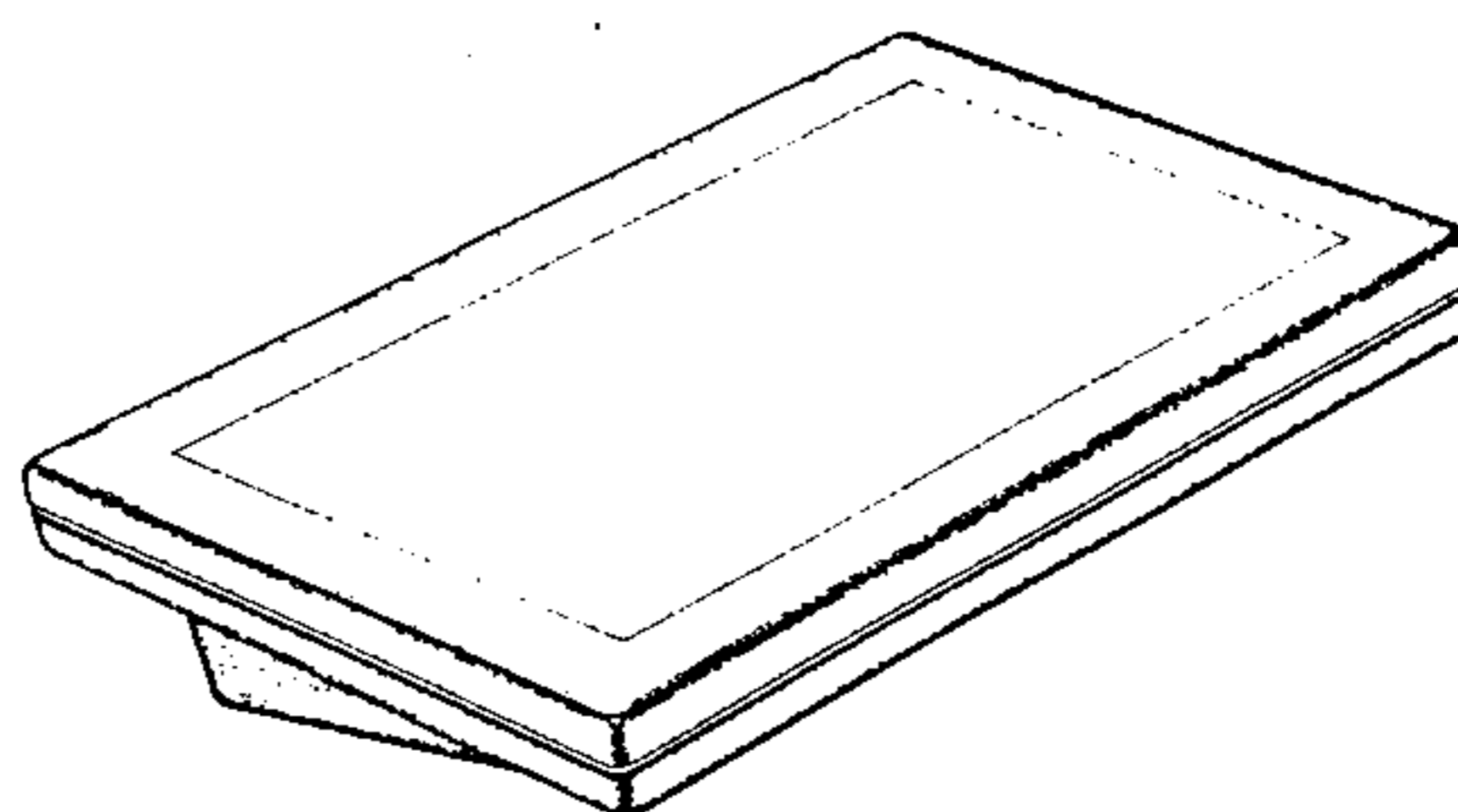
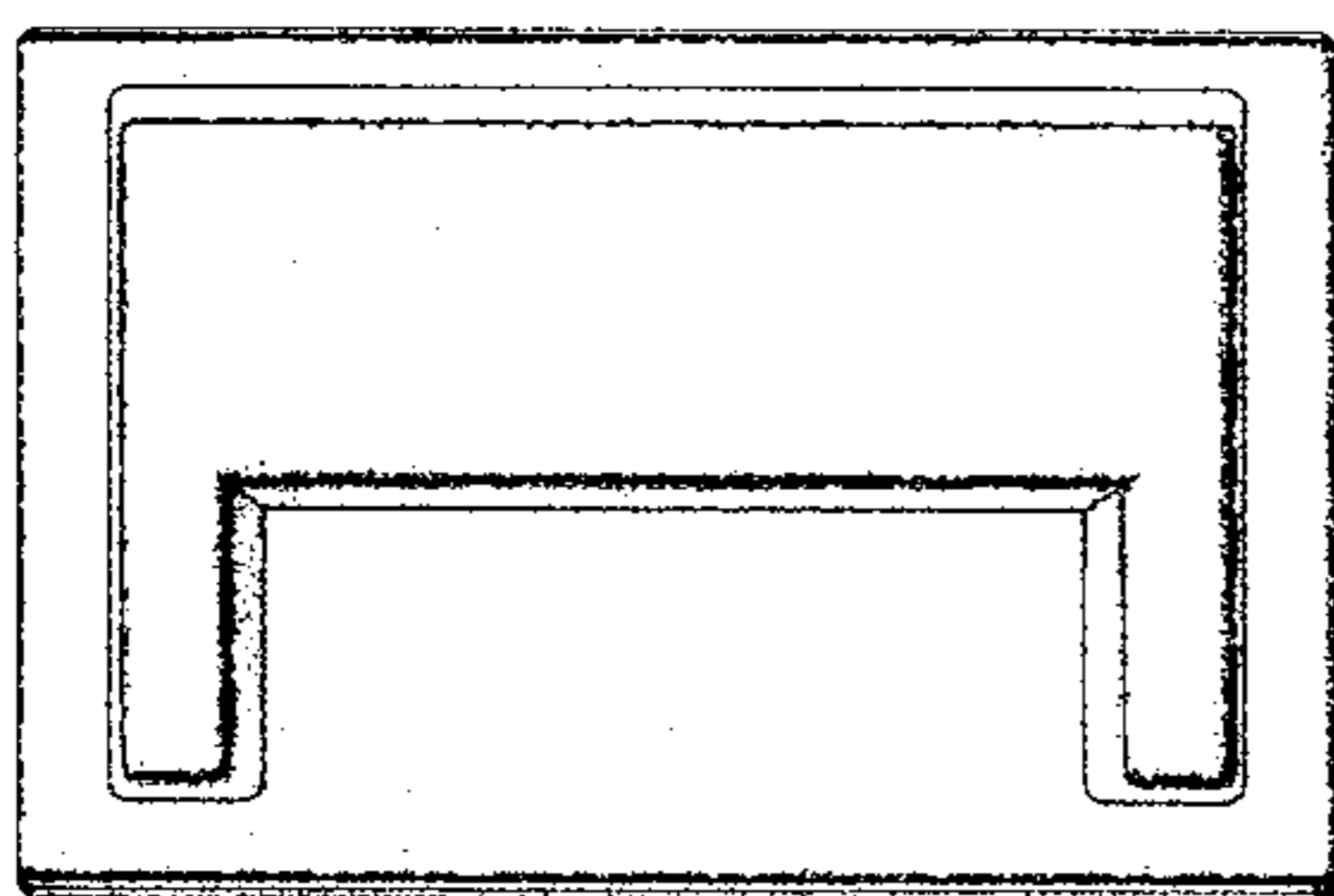


FIG. 1

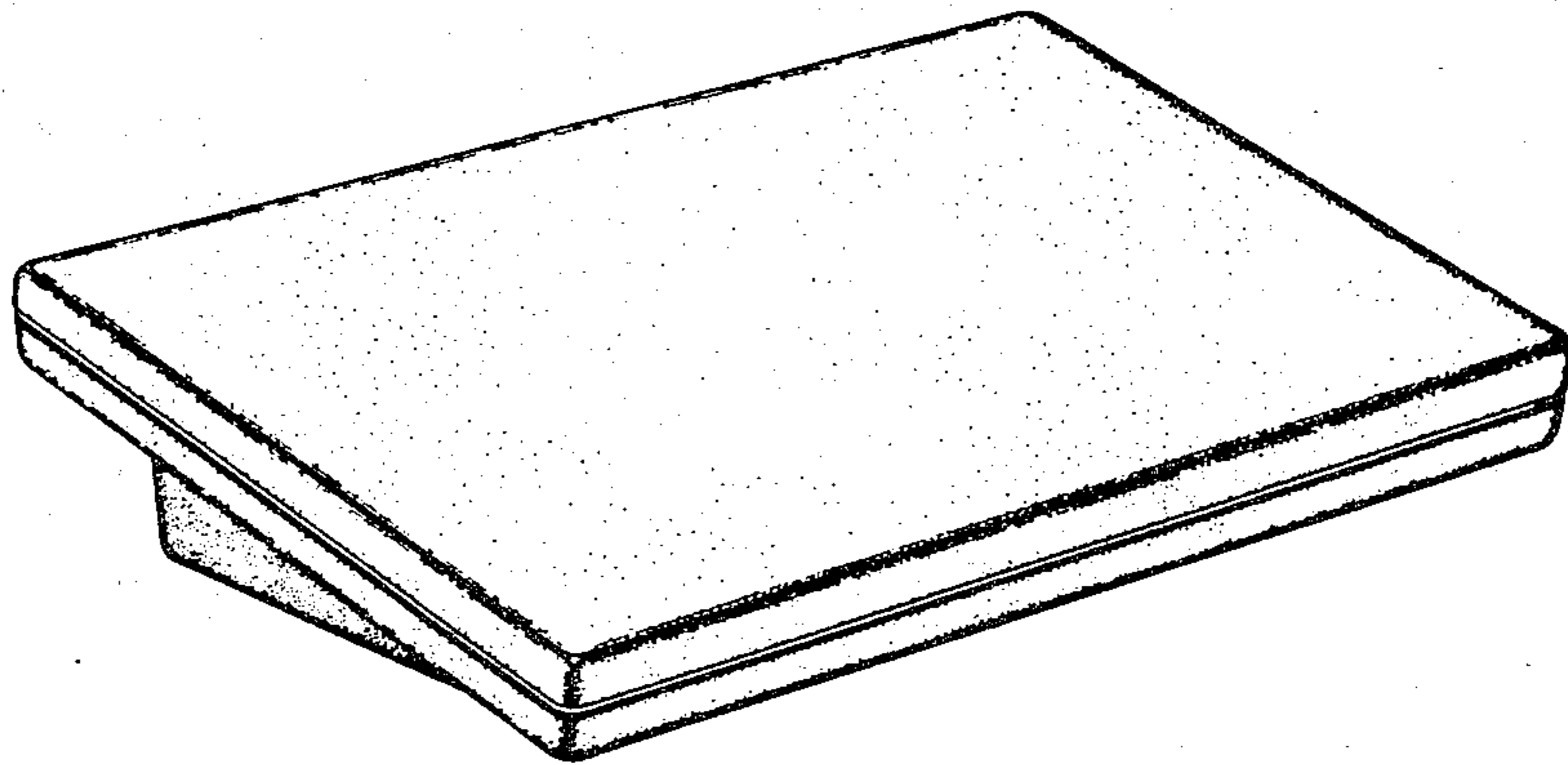


FIG. 2

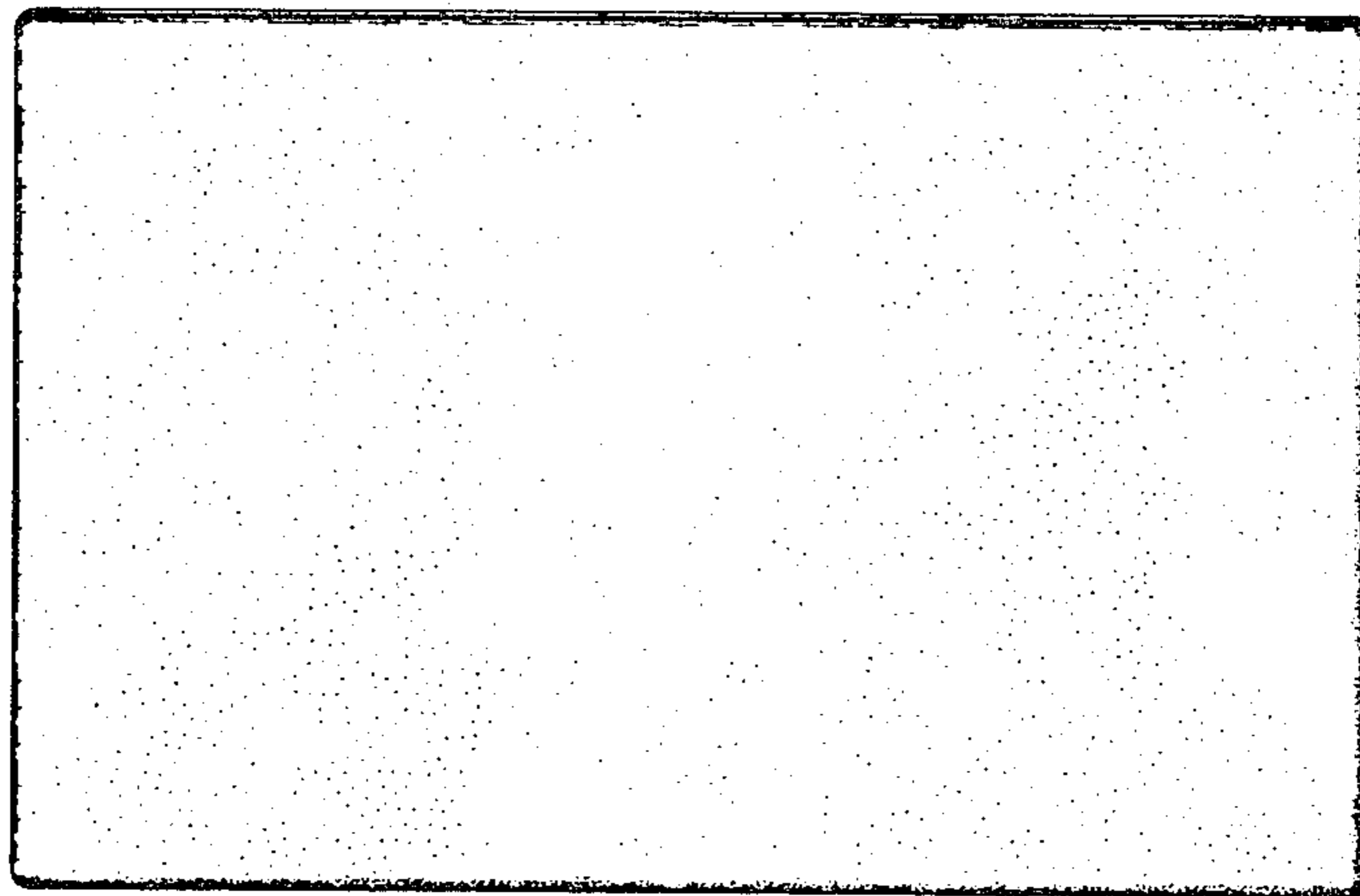


FIG. 3

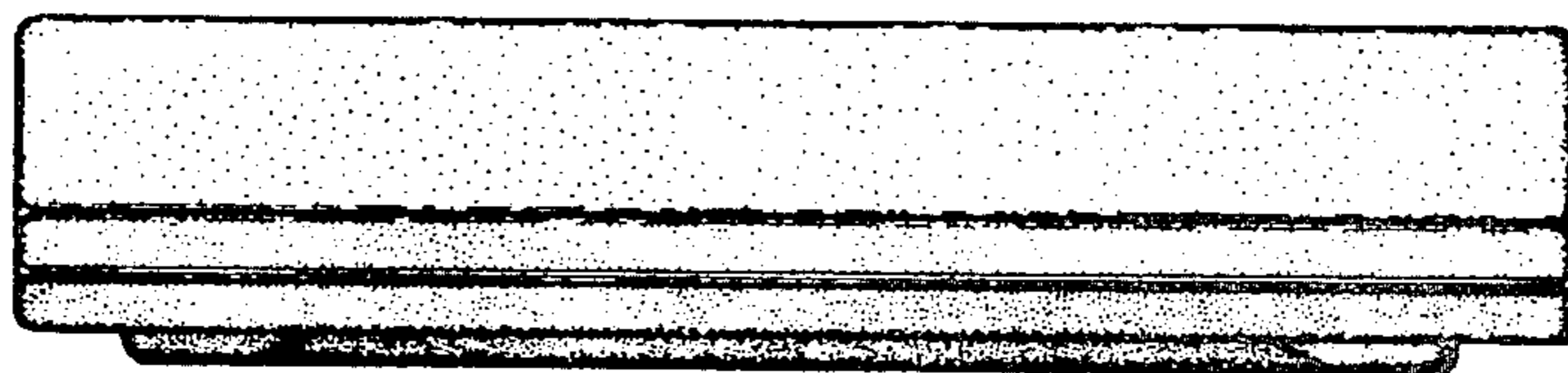


FIG. 4



FIG. 5

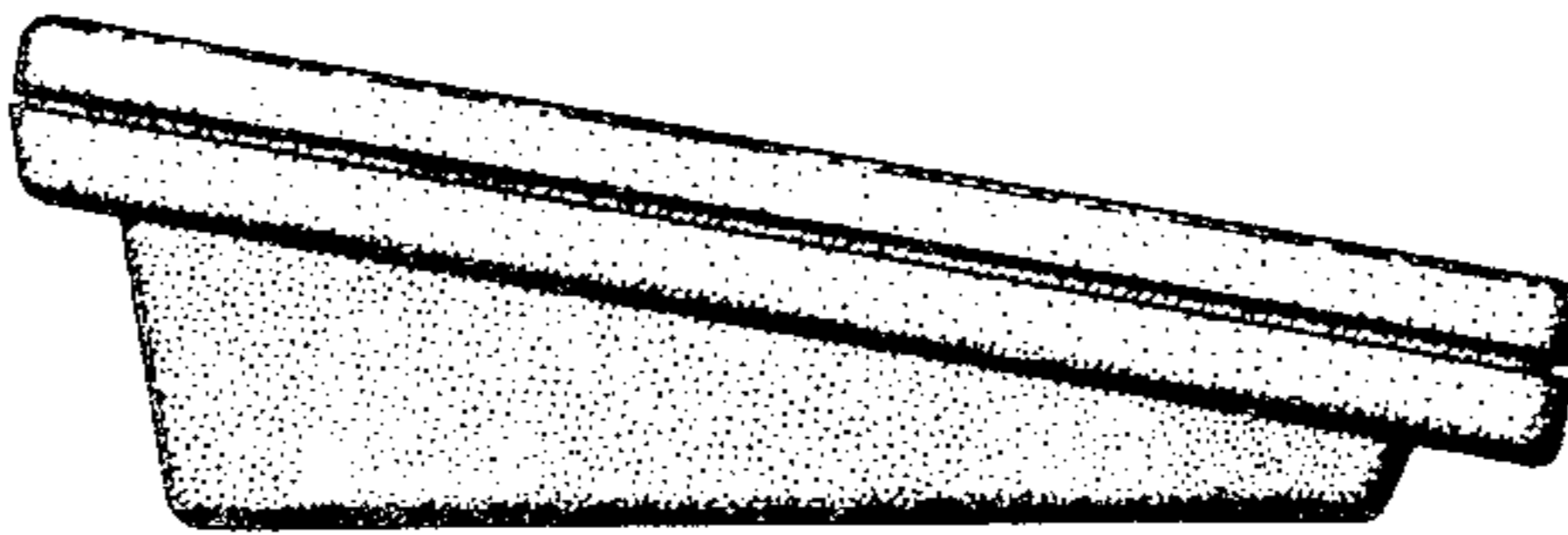


FIG. 6

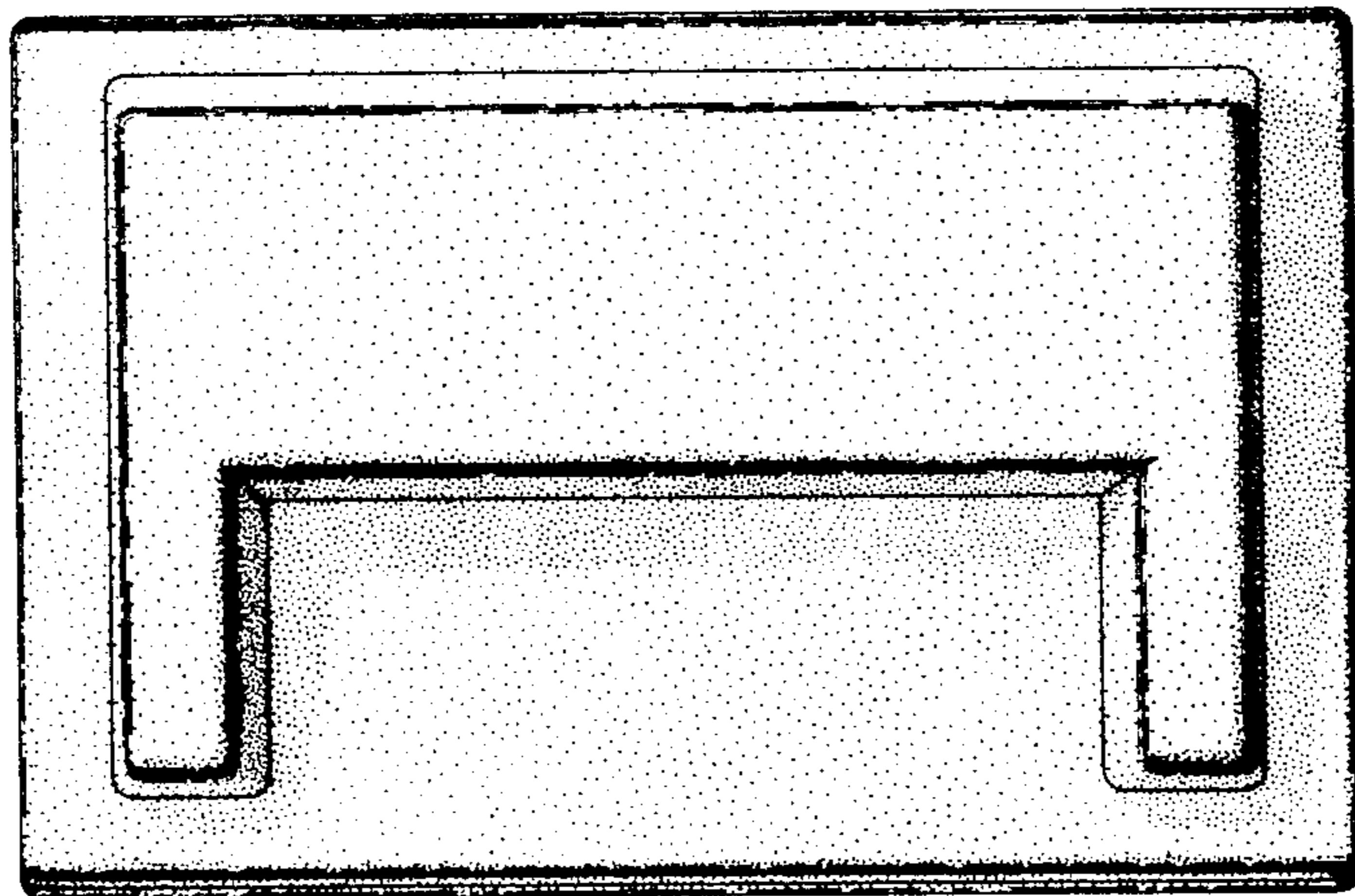


FIG. 7

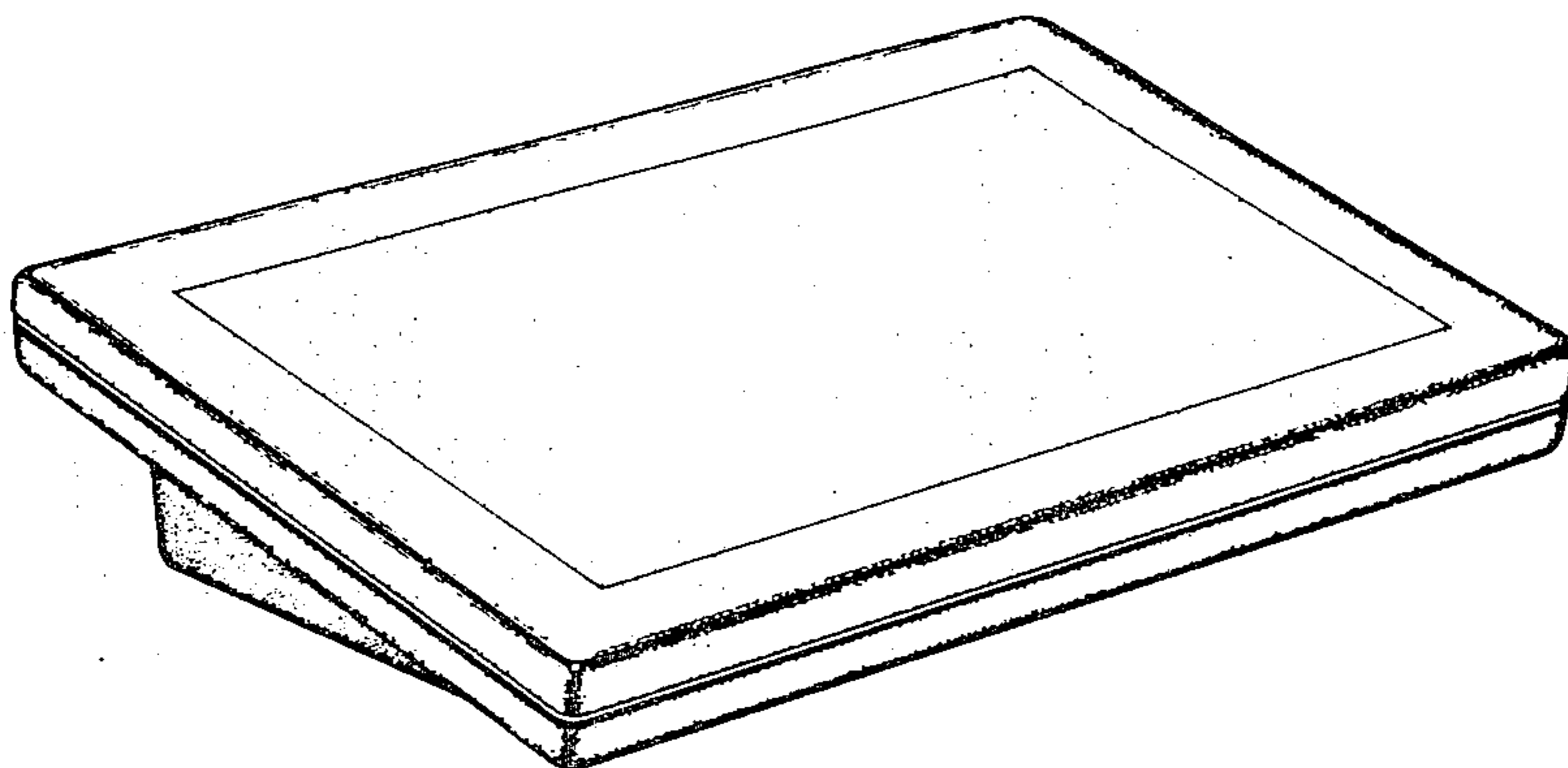


FIG. 8

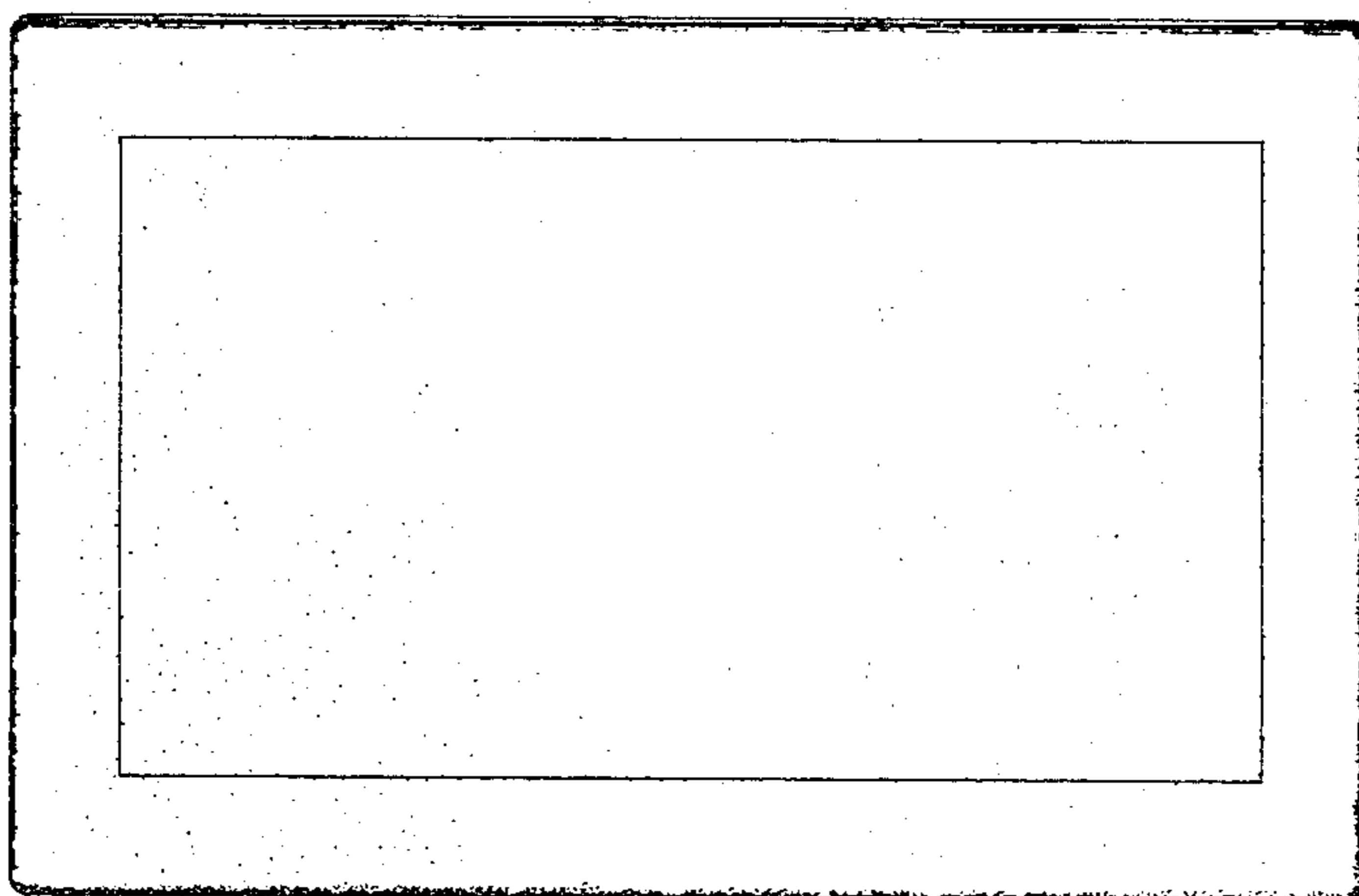


FIG. 9

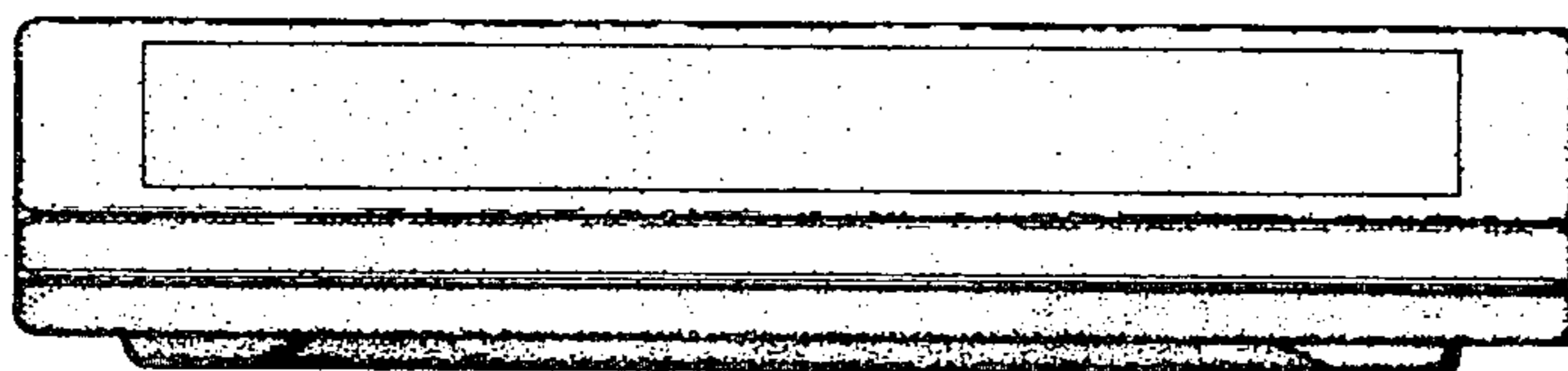


FIG. 10

