

[54] ENGINE GENERATOR

[75] Inventor: Yoshio Mikado, Asaka, Japan

[73] Assignee: Honda Giken Kogyo Kabushiki Kaisha, Tokyo, Japan

[**] Term: 14 Years

[21] Appl. No.: 418,823

[22] Filed: Sep. 16, 1982

[30] Foreign Application Priority Data

Apr. 13, 1982 [JP] Japan 57-15768

[52] U.S. Cl. D13/3; D15/1

[58] Field of Search D13/1, 2, 3; 290/1 A; D15/1, 7, 9; 307/150

[56] References Cited

U.S. PATENT DOCUMENTS

- D. 194,490 1/1963 Winslow et al. D15/1
- D. 249,788 10/1978 Nanjo D13/3
- 2,177,687 10/1939 Bracken et al. 290/1 A
- 2,482,924 9/1949 Melcher 290/1 A

- 2,630,537 3/1953 Wiegman et al. 290/1 A
- 4,376,250 3/1983 Baker Jr. et al. 307/150

OTHER PUBLICATIONS

Sears Catalog—Fall/Winter 1981—p. 1020 Item (2)—Model #32G32763N Deluxe Generator.

Primary Examiner—Wallace R. Burke
Assistant Examiner—Lynn Wilder
Attorney, Agent, or Firm—Armstrong, Nikaido, Marmelstein & Kubovcik

[57] CLAIM

The ornamental design for engine generator, as shown and described.

DESCRIPTION

FIG. 1 is a left side elevational view of an engine generator, showing my new design;
FIG. 2 is a right side elevational view thereof;
FIG. 3 is a front elevational view thereof;
FIG. 4 is a rear elevational view thereof;
FIG. 5 is a top plan view thereof;
FIG. 6 is a bottom plan view thereof; and
FIG. 7 is a perspective view thereof.

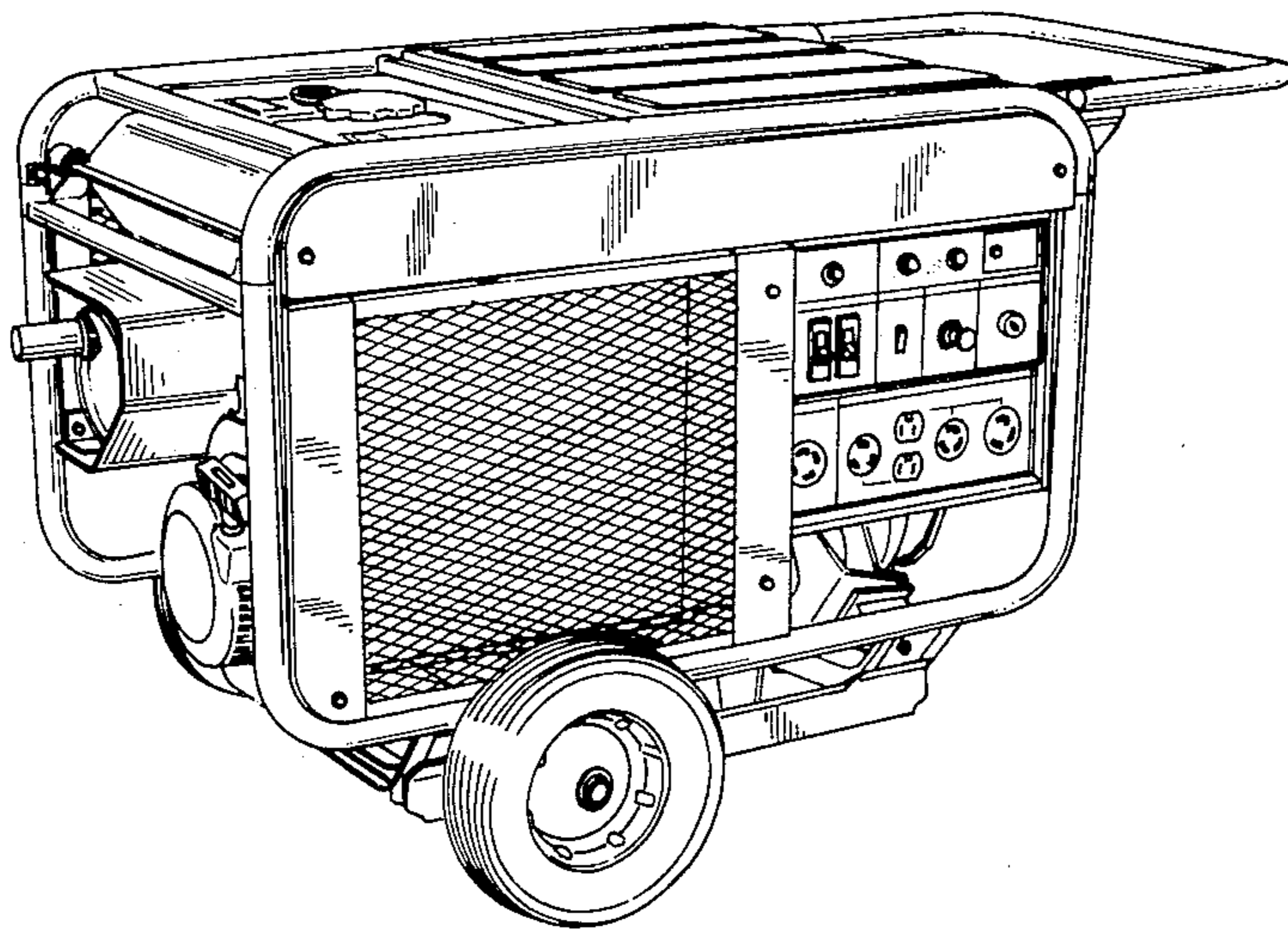


FIG. 1

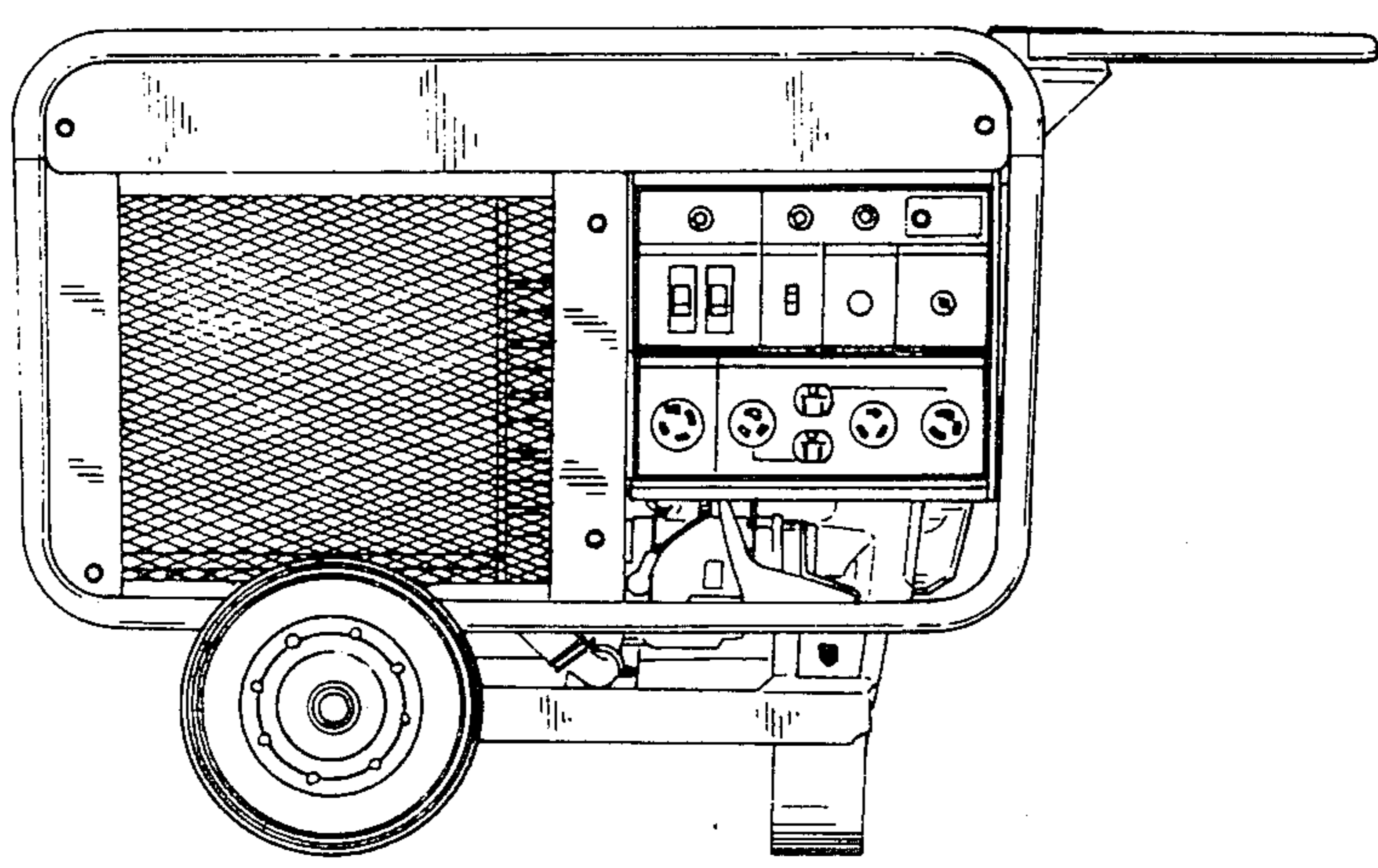


FIG. 2

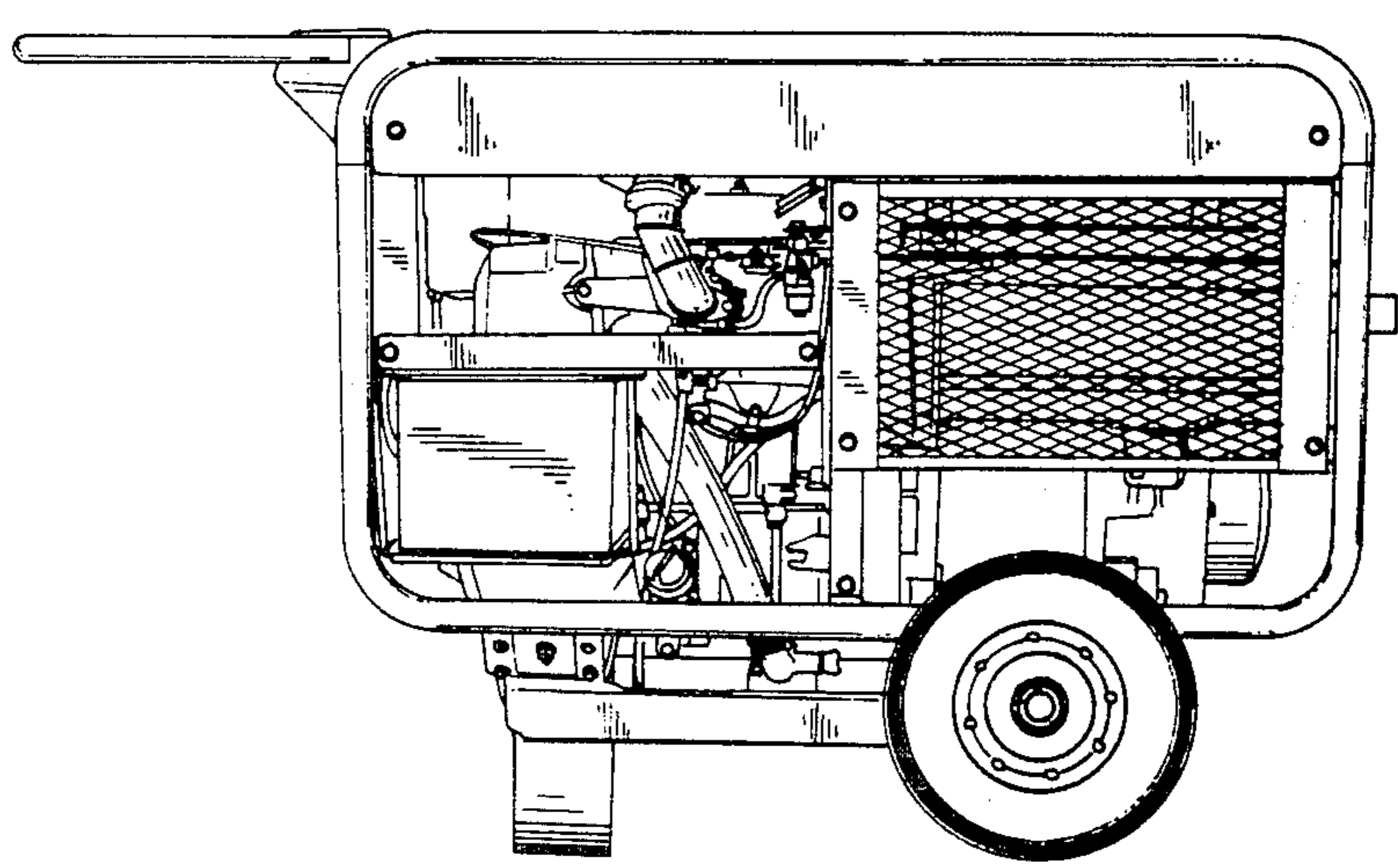


FIG. 3

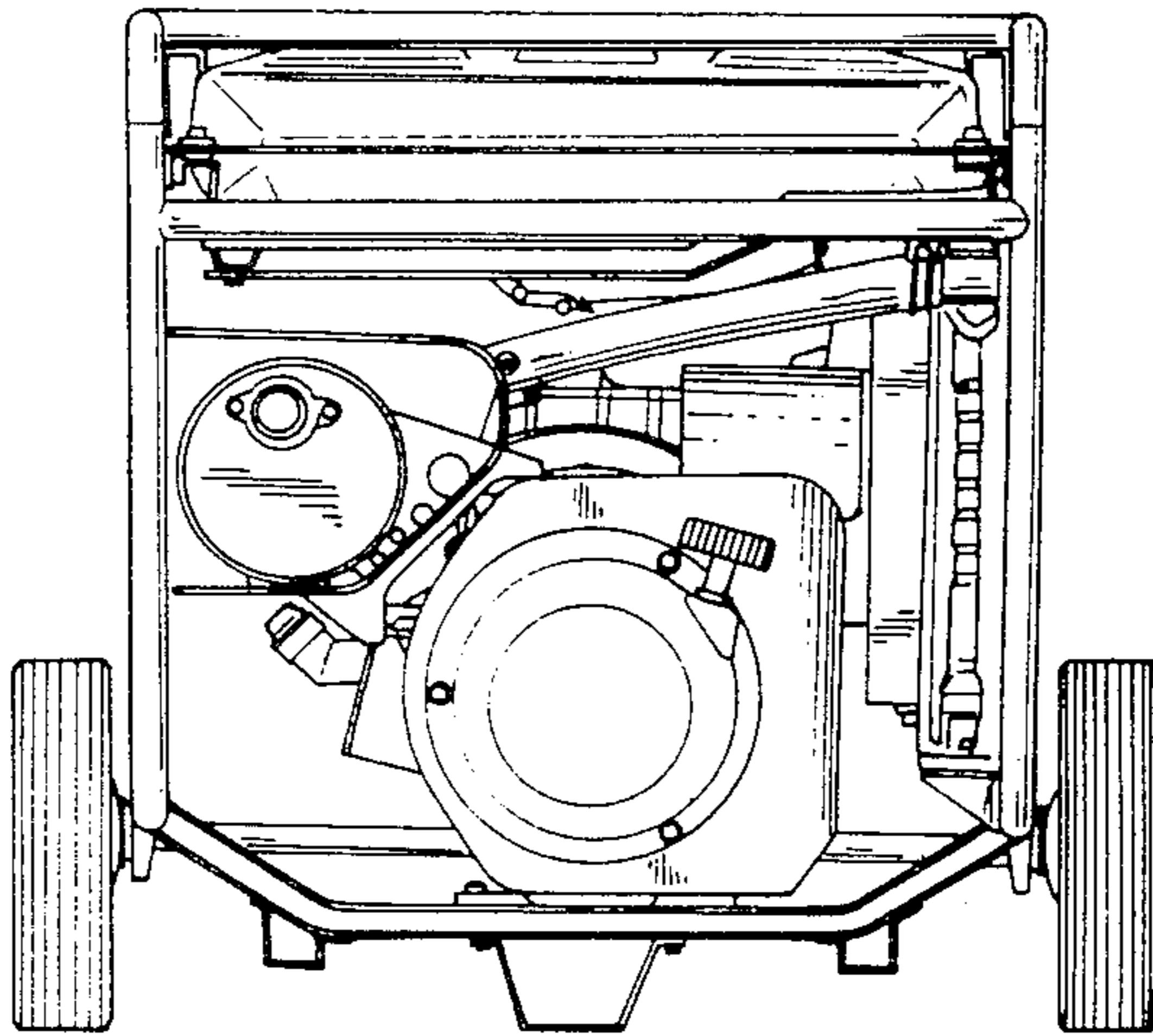


FIG. 4

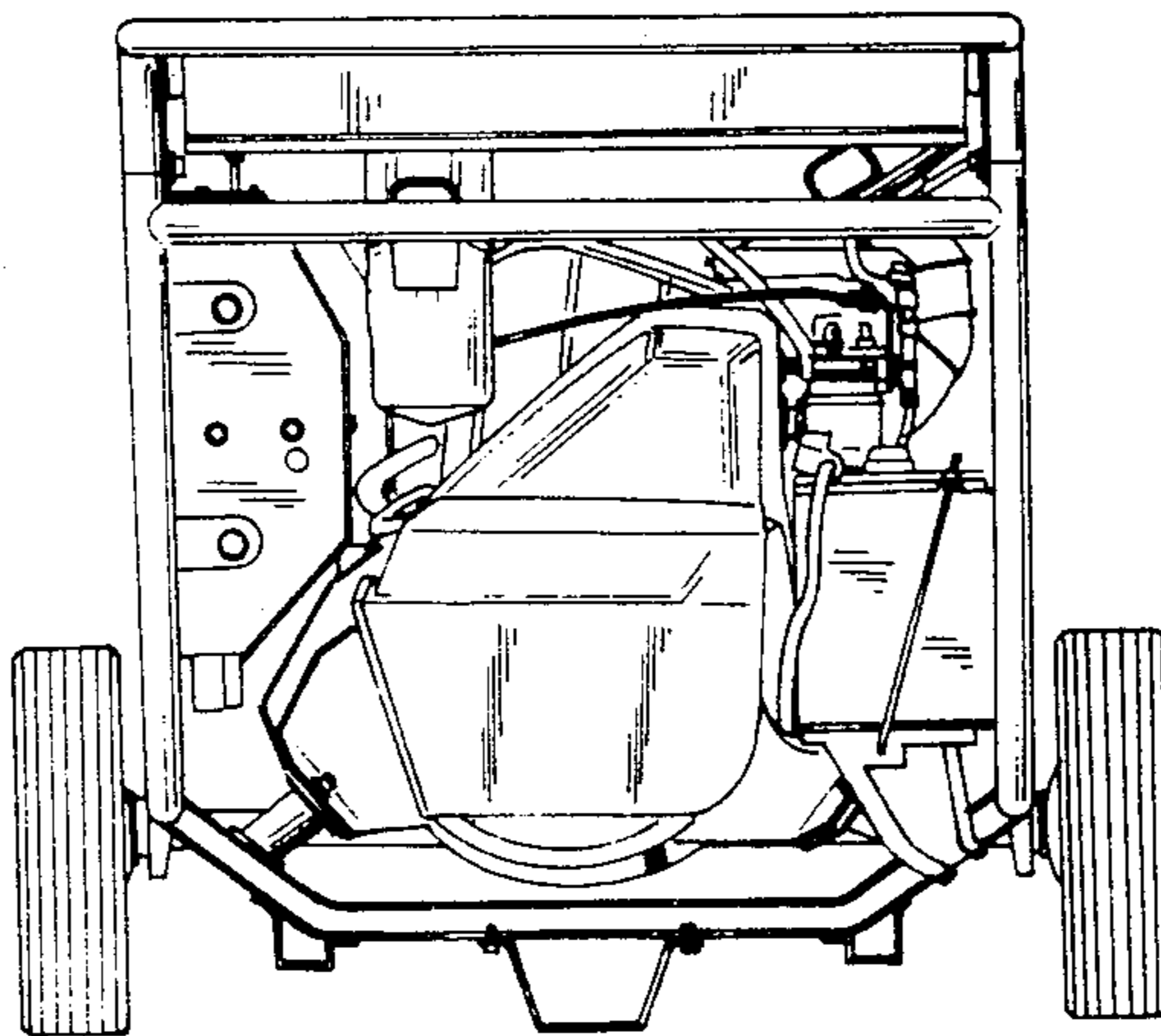


FIG. 5

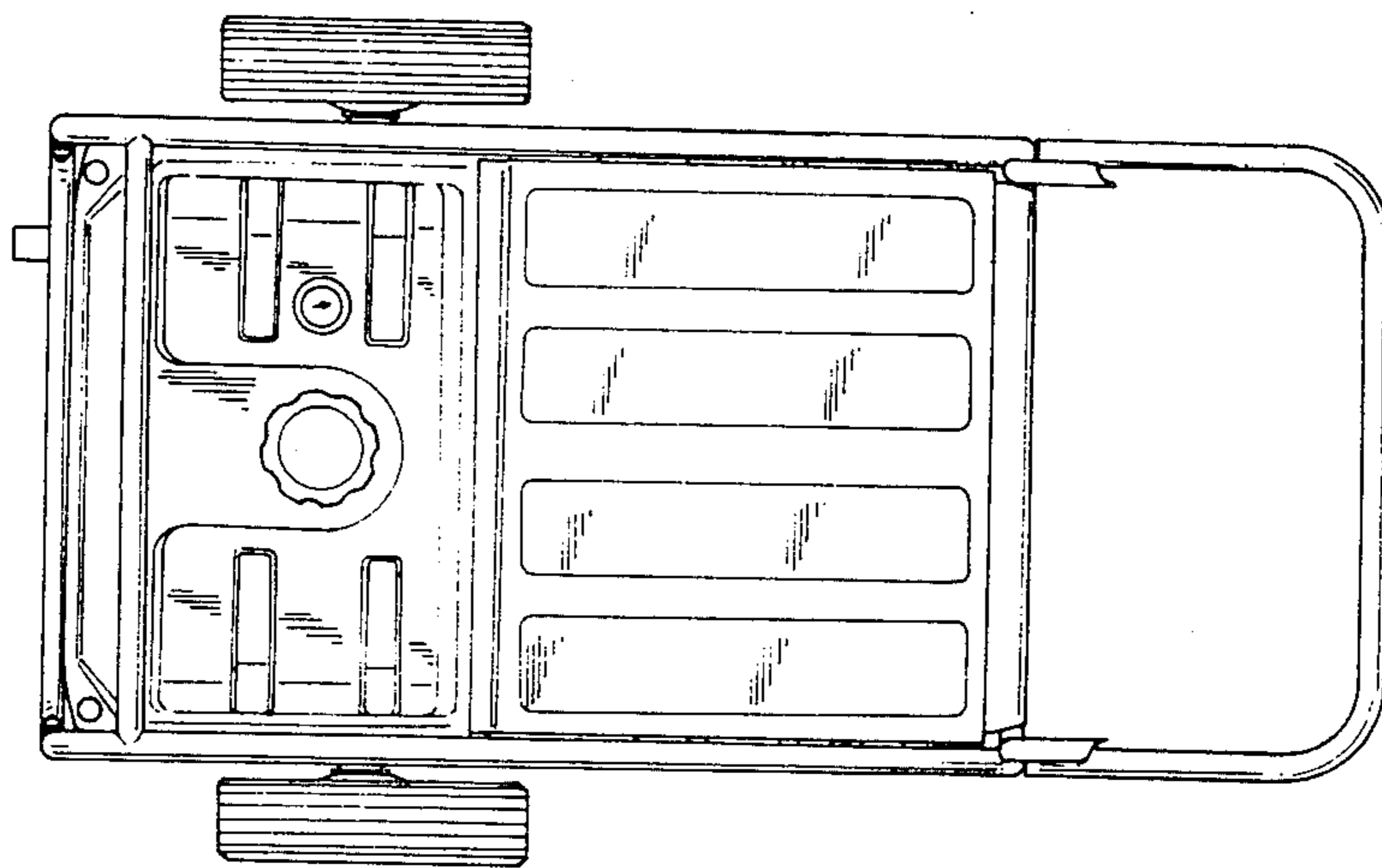


FIG. 6

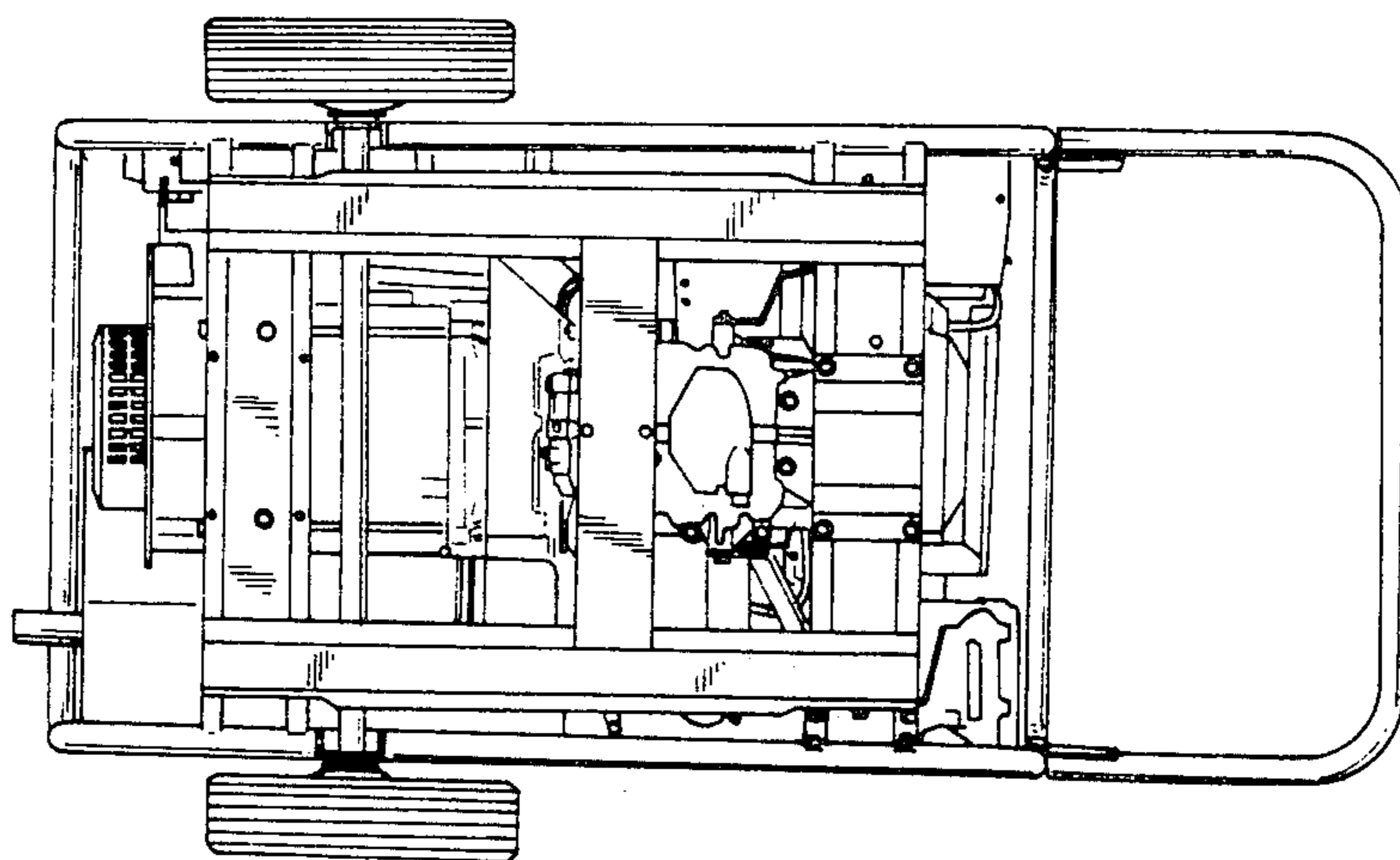


FIG. 7

