

[54] AUXILIARY HELICOPTER STEP

[76] Inventors: Robert B. McNab, P.O. Box 3689, Bristol, Tenn. 37625; James A. Wolfe, Rte. 10, Box 199, Jonesboro, Tenn. 37659

[**] Term: 14 Years

[21] Appl. No.: 372,214

[22] Filed: Apr. 26, 1982

[52] U.S. Cl. D12/345

[58] Field of Search D12/345; 244/129.6, 244/108, 118.1; 182/228, 92

[56] References Cited

U.S. PATENT DOCUMENTS

D. 272,618	2/1984	McNab et al.	D12/345
3,904,155	9/1975	Chavis	244/129.6
4,249,683	2/1981	Park	182/228

Primary Examiner—Catherine E. Kemper
Assistant Examiner—Kay H. Chin
Attorney, Agent, or Firm—Jones & Askew

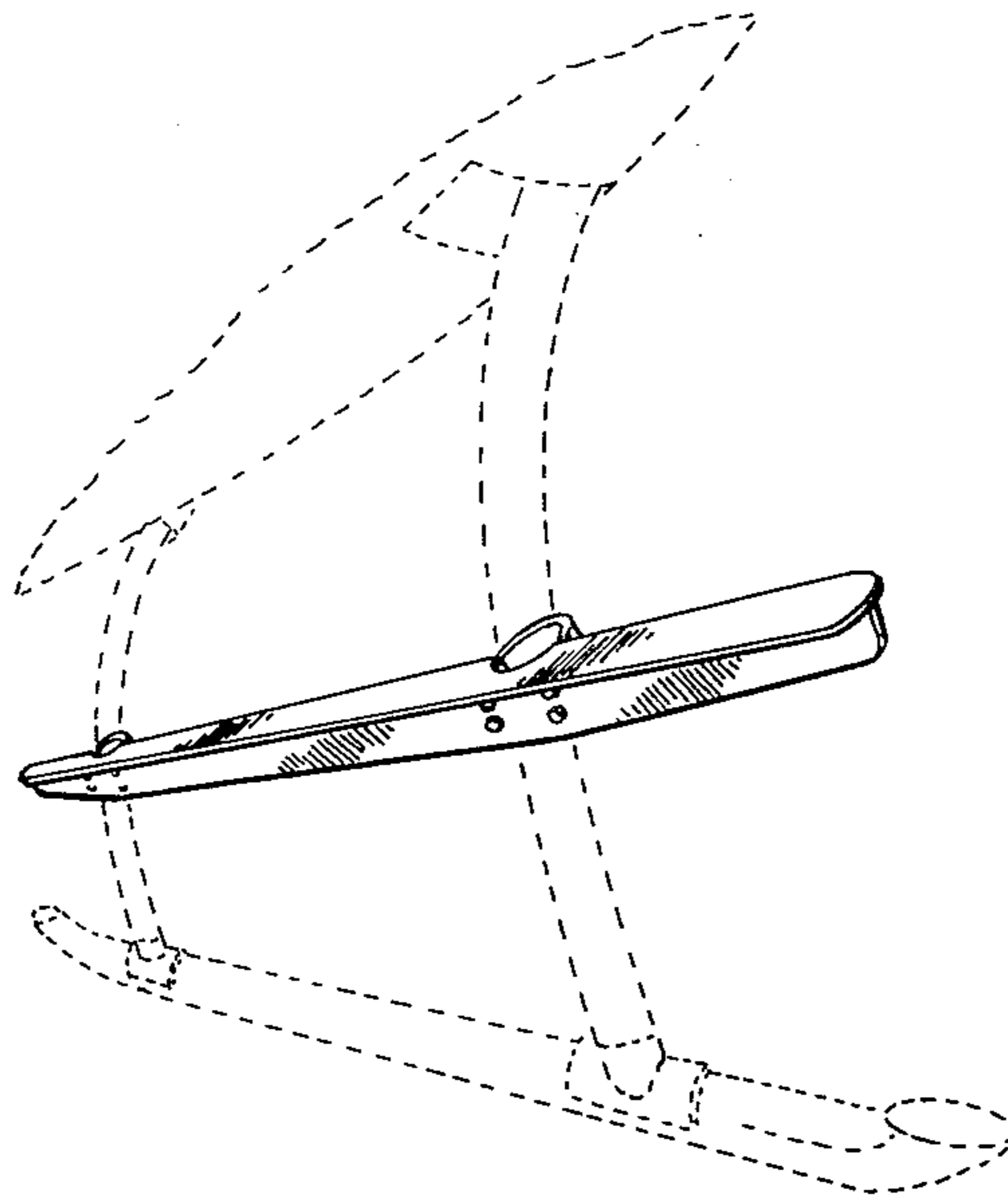
[57] CLAIM

The ornamental design for an auxiliary helicopter step, substantially as shown and described.

DESCRIPTION

FIG. 1 is a perspective view of an auxiliary helicopter step showing our new design; FIG. 2 is an end view thereof; FIG. 3 is a top view thereof; FIG. 4 is a bottom view thereof; FIG. 5 is a front view thereof; and FIG. 6 is a rear view thereof.

The broken line disclosure of a portion of a helicopter in FIG. 1 is for illustrative purposes only and forms no part of the claimed design. FIGS. 2-6 are drawn on a scale larger than that employed in FIG. 1. FIGS. 3-6 are shown fragmentarily for ease of illustration.



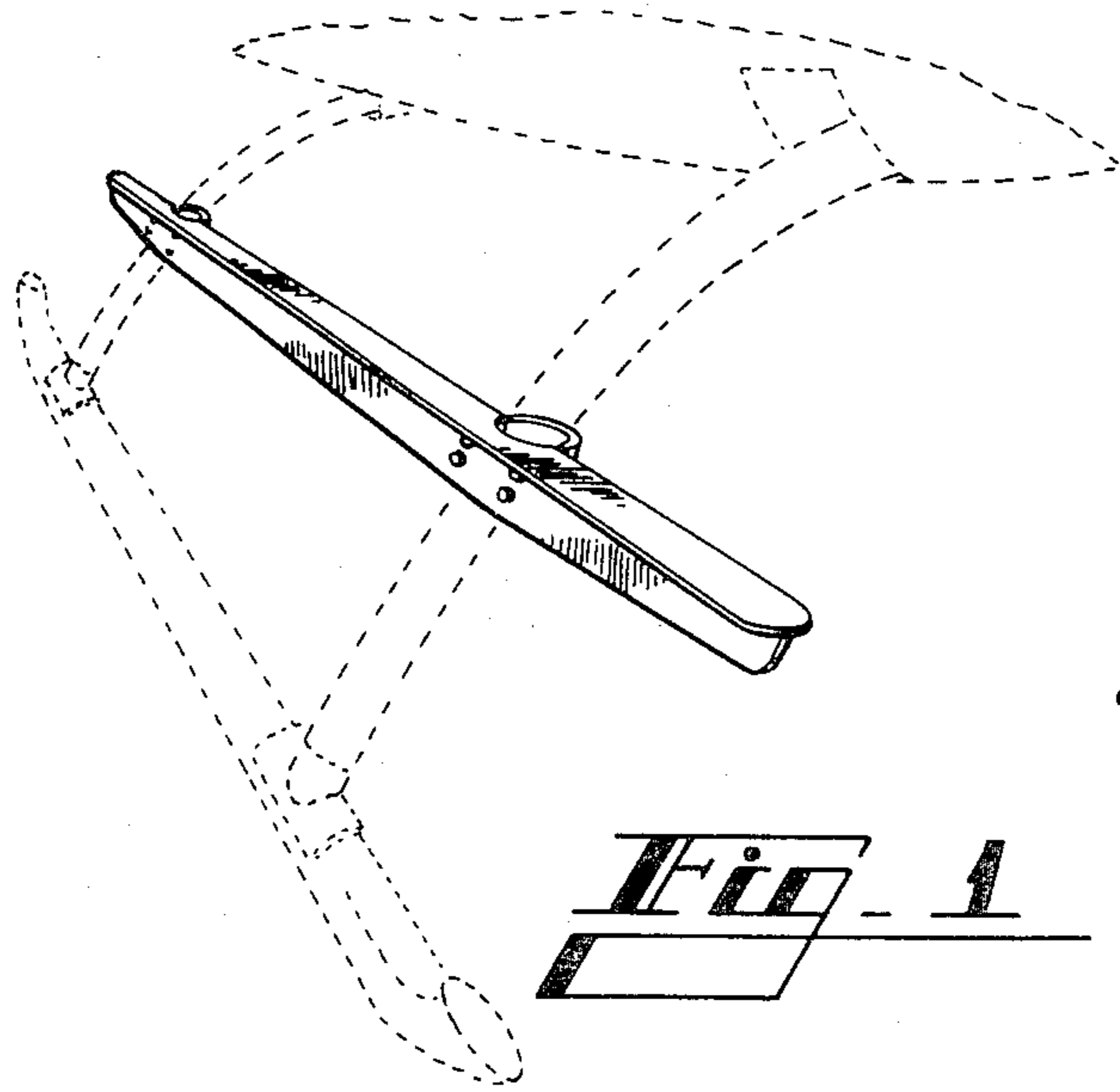


Fig. 1



Fig. 2

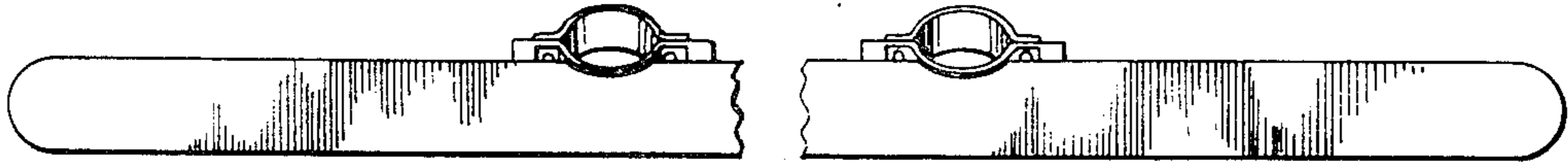


Fig. 3

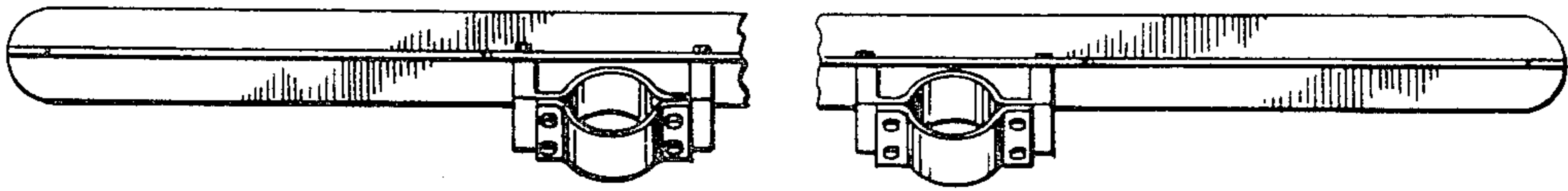


Fig. 4



Fig. 5

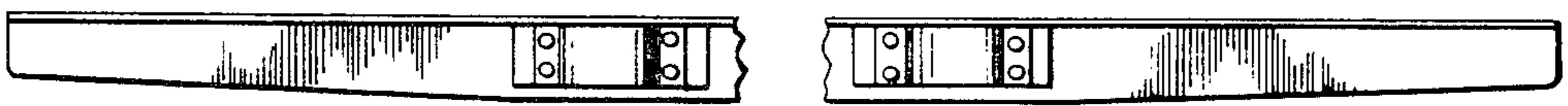


Fig. 6