

[54] POWER OPERATED SURFBOARD

[75] Inventors: Robert E. Montgomery, Mission Viejo; James A. Mizell, Huntington Beach, both of Calif.

[73] Assignee: Surf-Jet Corporation, St. Paul, Minn.

[**] Term: 14 Years

[21] Appl. No.: 382,955

[22] Filed: May 28, 1982

[52] U.S. Cl. D12/307

[58] Field of Search 114/270; D21/228; 441/42; D12/307, 314, 300; 114/288

[56] References Cited

U.S. PATENT DOCUMENTS

D. 260,797	9/1981	Calengor et al.	D21/228
3,158,882	12/1964	Kibby	9/1
3,165,087	1/1965	Stevens et al.	114/270
3,213,822	10/1965	Sawchuk	114/270
3,324,822	6/1967	Carter	114/270
3,405,677	10/1968	Smith	114/270
3,433,201	3/1969	Brown et al.	114/270

3,463,116	8/1969	Dawson	114/270
3,481,303	12/1969	Tate et al.	114/270
3,608,512	9/1971	Thompson	114/270
3,646,905	3/1972	Martinmaas	114/270
3,693,577	9/1972	Sade	114/270
3,826,220	7/1974	Jacobson	114/270
3,882,815	5/1975	Bennett	114/270
3,989,002	11/1976	Peterson	114/270
4,274,357	6/1981	Dawson .	

Primary Examiner—James M. Gandy
Assistant Examiner—Kay H. Chin
Attorney, Agent, or Firm—Kinney & Lange

[57] CLAIM

The ornamental design for a power operated surfboard, as shown and described.

DESCRIPTION

FIG. 1 is a side elevational view of the power operated surfboard showing my new design;
FIG. 2 is a top plan view thereof;
FIG. 3 is a front elevational view thereof;
FIG. 4 is a rear elevational view thereof; and
FIG. 5 is a bottom plan view thereof.

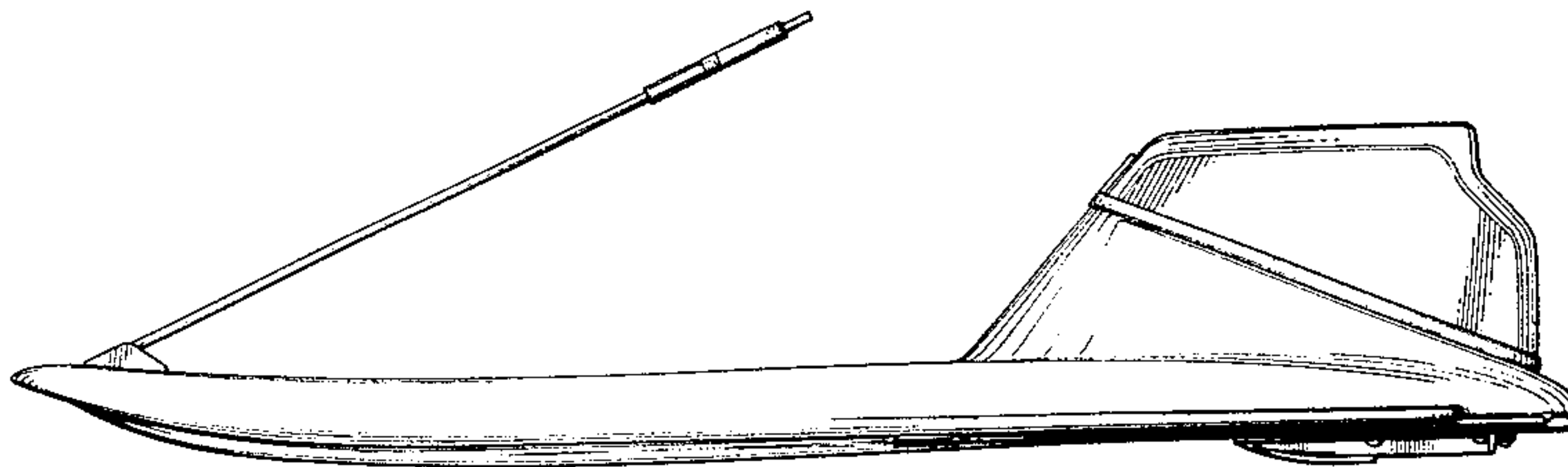


Fig. 1

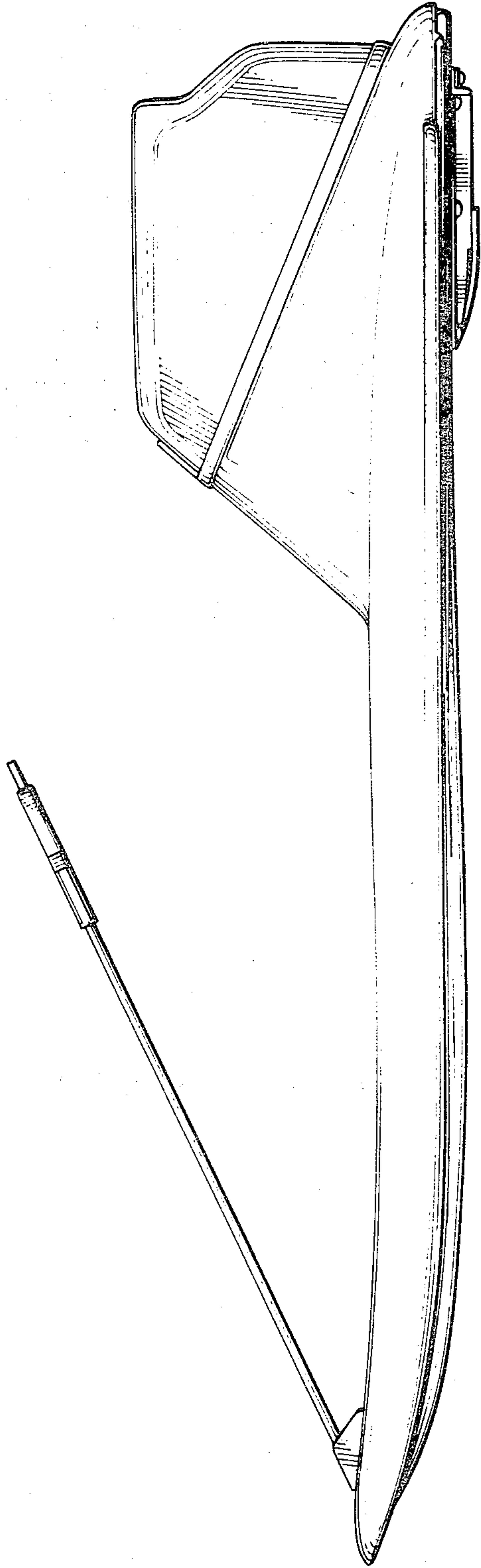


Fig. 2

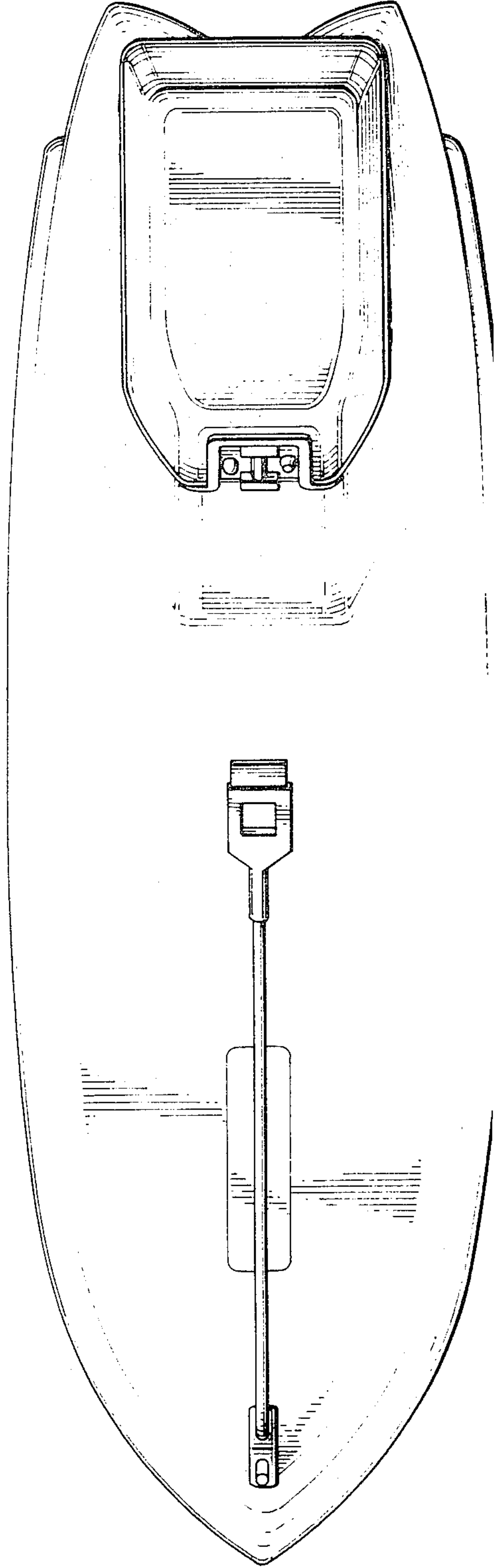


Fig. 4

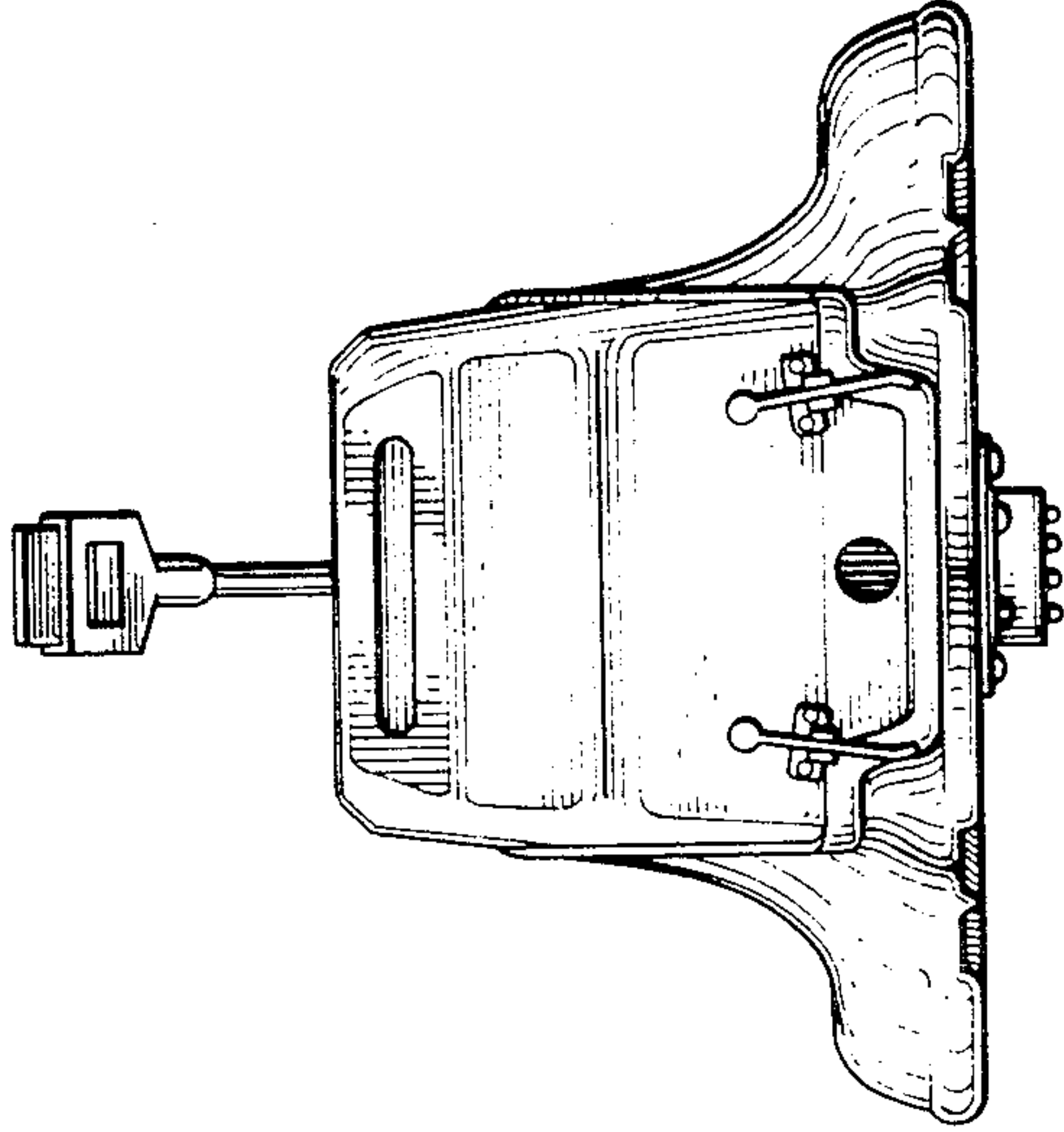


Fig. 3

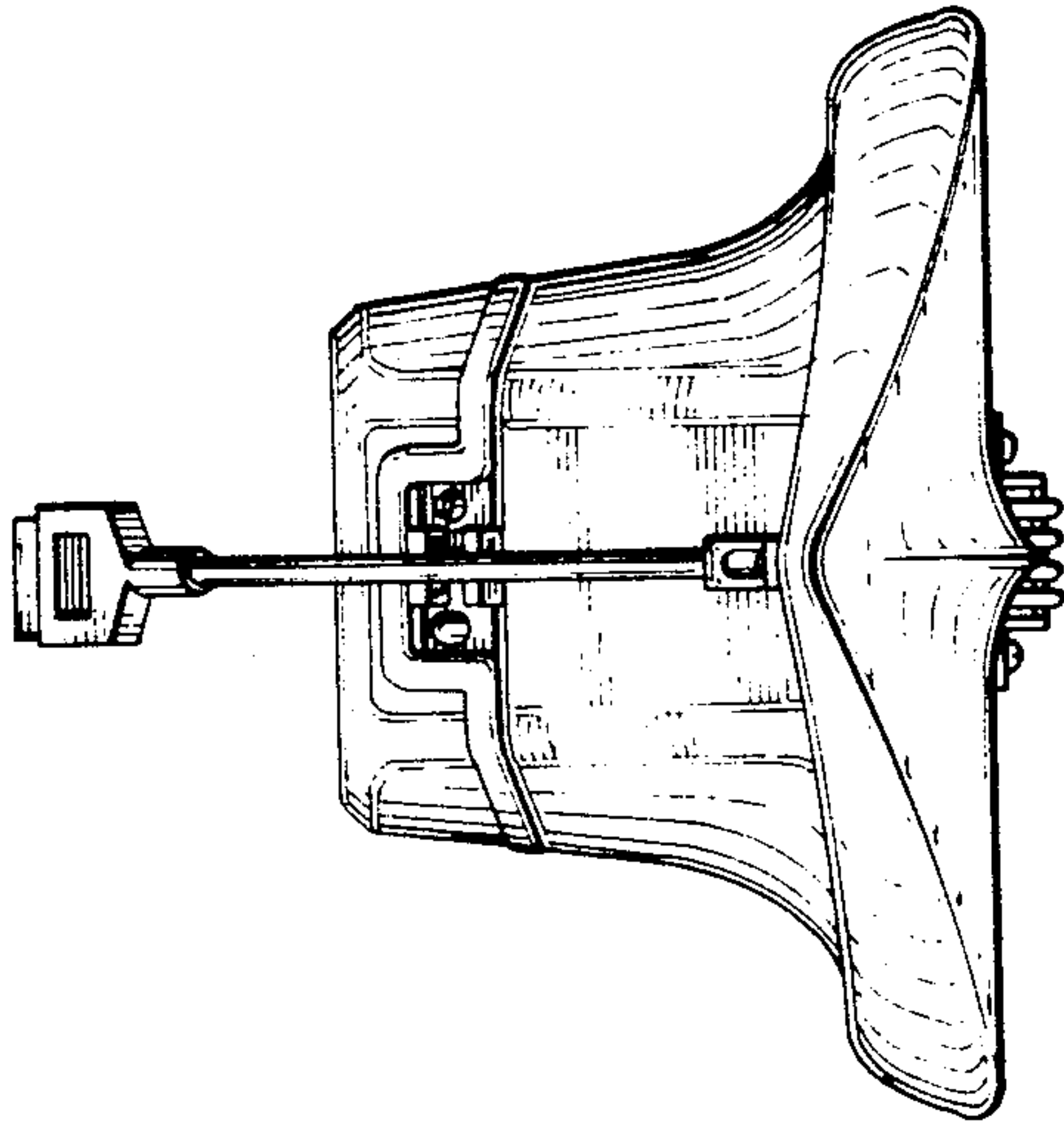


Fig. 5

