

[54] REAR VIEW MIRROR FOR AUTOMOTIVE VEHICLES

[75] Inventor: Frank T. Eichstadt, Westminster, Calif.
[73] Assignee: Orion Industries, Inc., Carson, Calif.
[**] Term: 14 Years
[21] Appl. No.: 434,735
[22] Filed: Oct. 18, 1982
[52] U.S. Cl. D12/187
[58] Field of Search D12/187; 350/288, 303, 350/304, 305, 307

[56] References Cited
U.S. PATENT DOCUMENTS

D. 168,589	1/1953	Pavenick	D12/187
D. 244,088	4/1977	McCarroll	D12/187
D. 261,754	11/1981	Vitaloni	D12/187
4,247,173	1/1981	Vitaloni	350/307

FOREIGN PATENT DOCUMENTS

1339632 9/1963 France 350/303

Primary Examiner—James M. Gandy
Attorney, Agent, or Firm—Fulwider, Patton, Rieber, Lee & Utecht

[57] CLAIM

The ornamental design for a rear view mirror for automotive vehicles, substantially as shown and described.

DESCRIPTION

FIG. 1 is a rear perspective view of a rear view mirror for automotive vehicles showing my new design attached to the outside of an automobile which is fragmentarily illustrated in broken lines for illustrative purposes only;
FIG. 2 is a front perspective view thereof;
FIG. 3 is a rear elevational view thereof;
FIG. 4 is a front elevational view thereof;
FIG. 5 is a bottom view thereof;
FIG. 6 is a top plan view thereof;
FIG. 7 is a side elevational view thereof; and
FIG. 8 is a side elevational view thereof showing the side opposite that shown in FIG. 7.

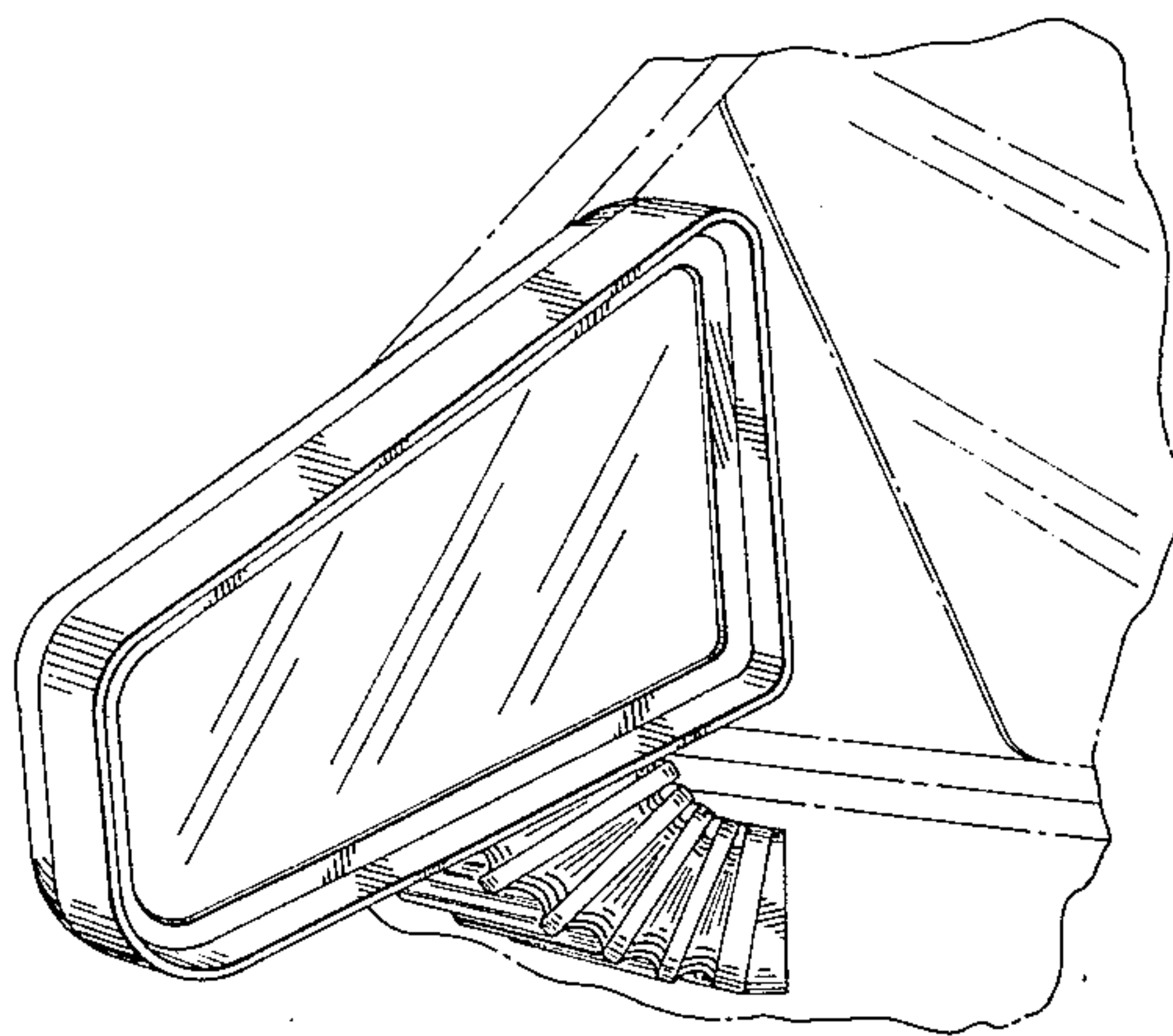


FIG. 1

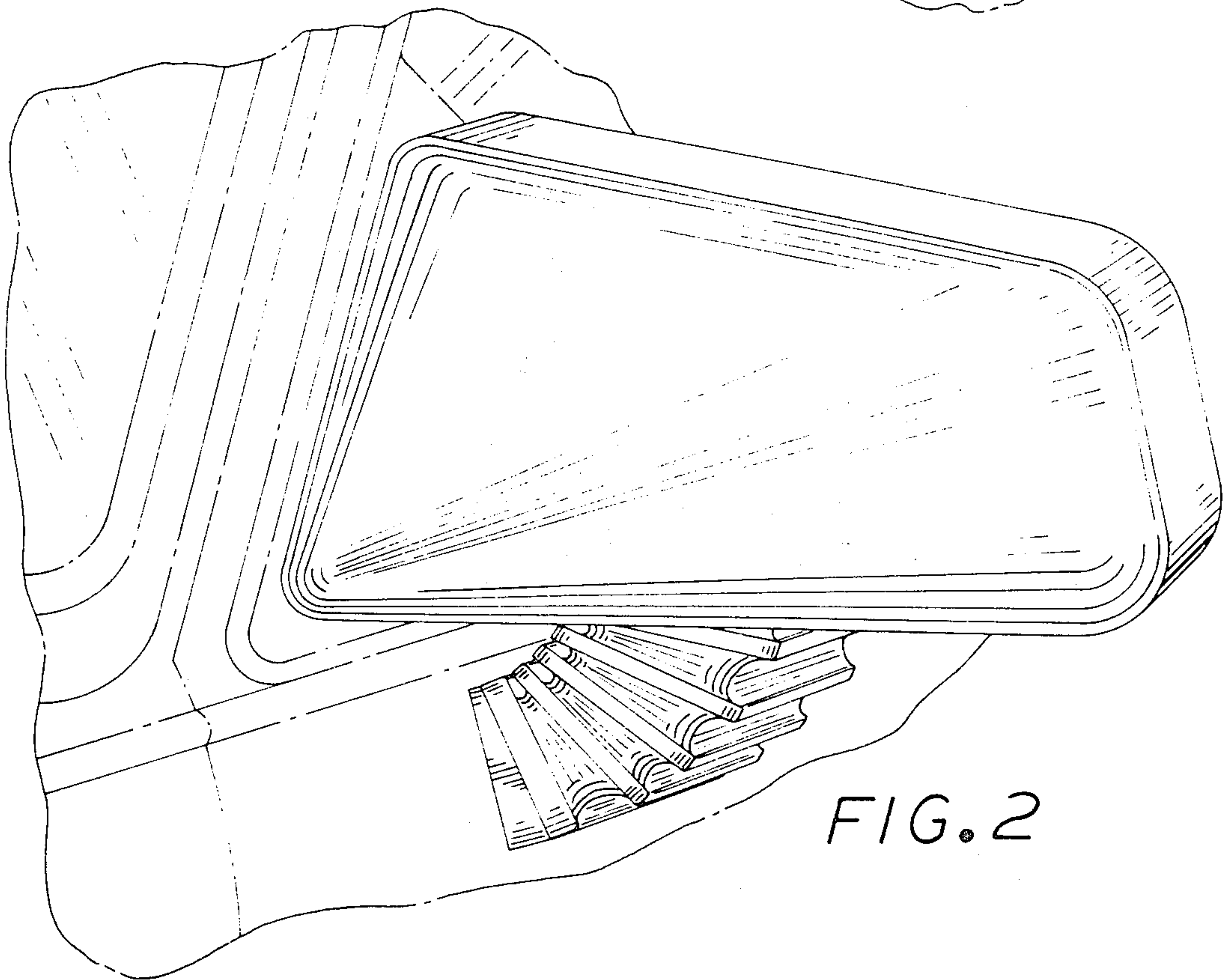
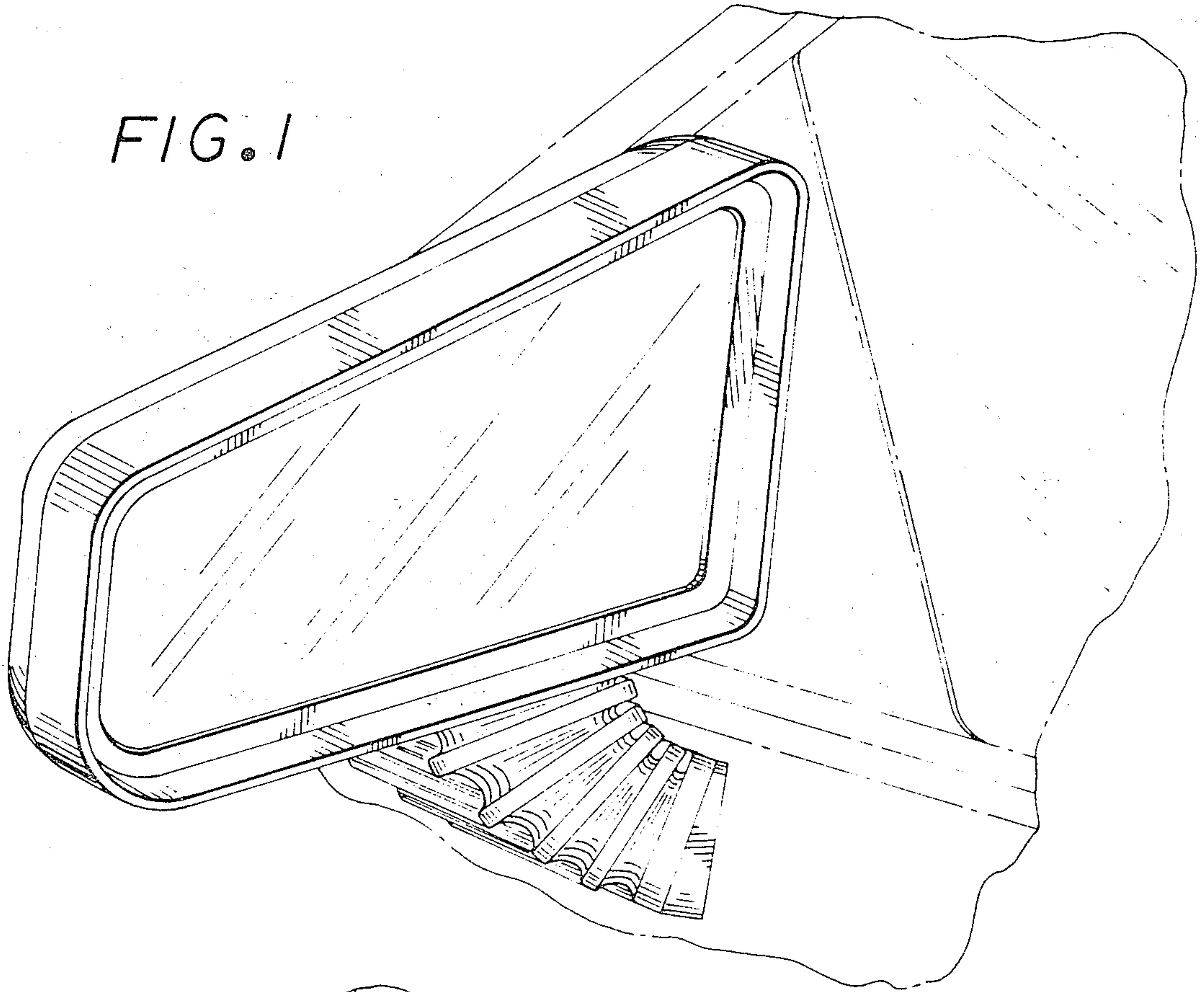


FIG. 2

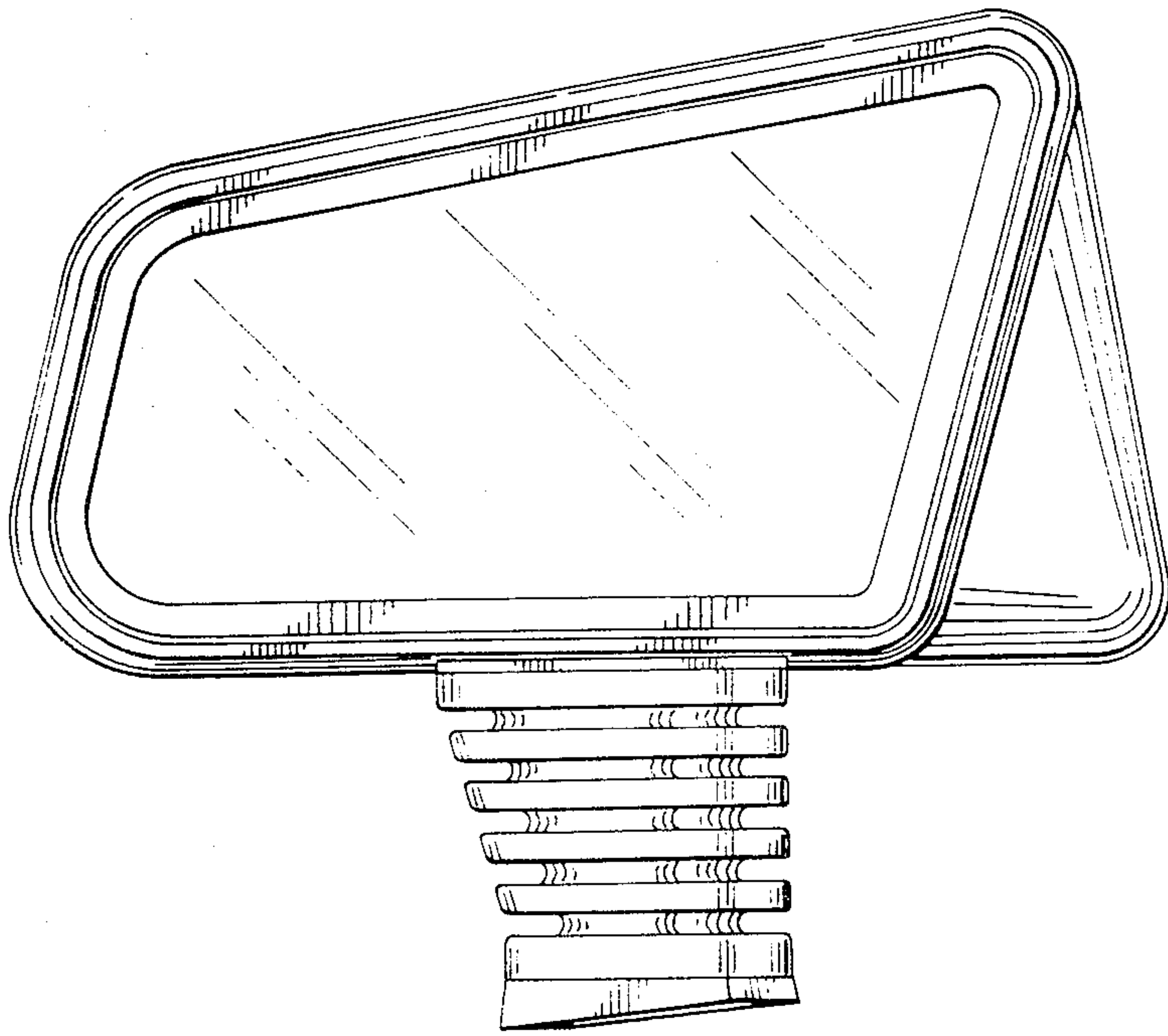


FIG. 3

FIG. 4

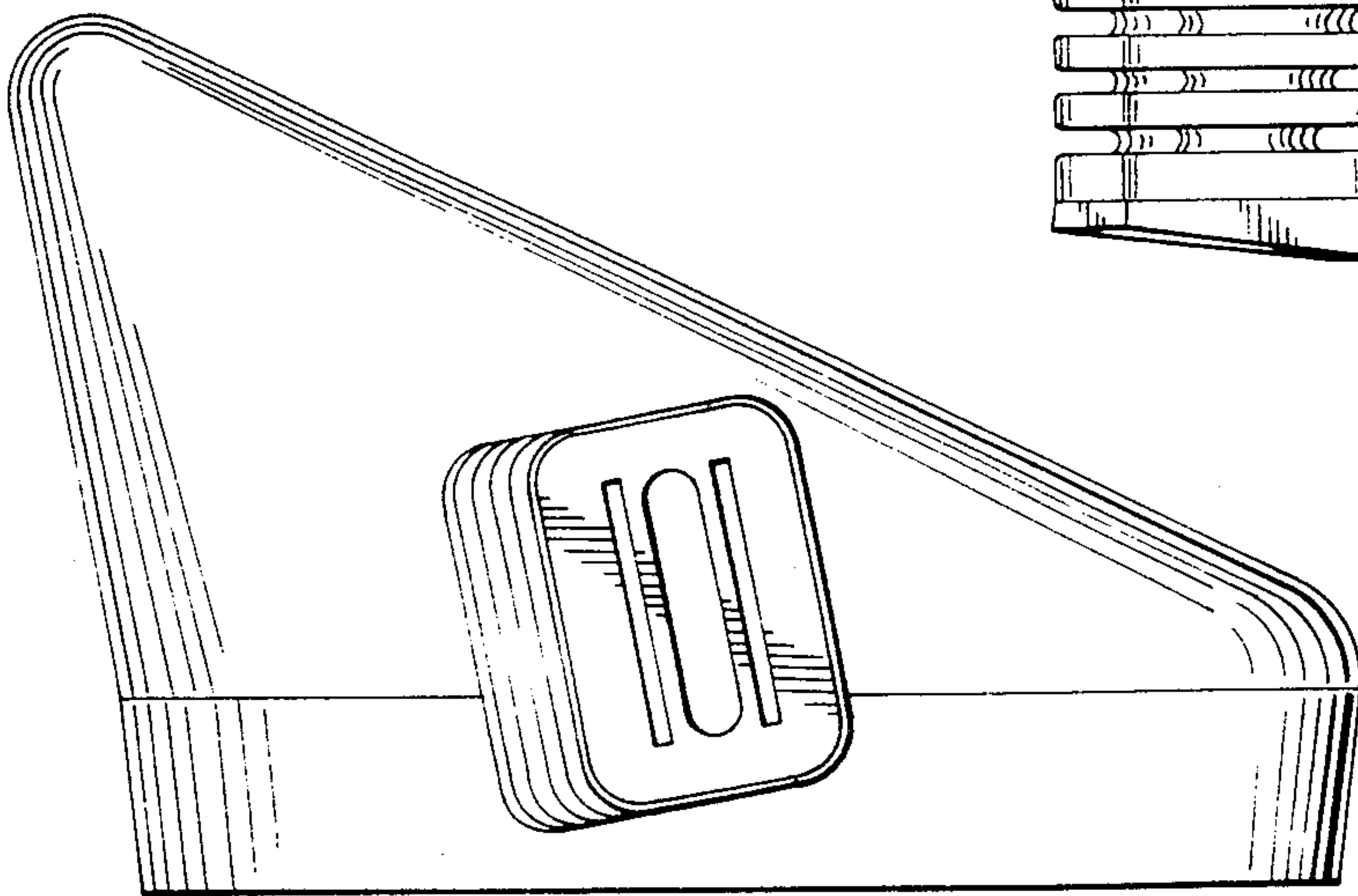
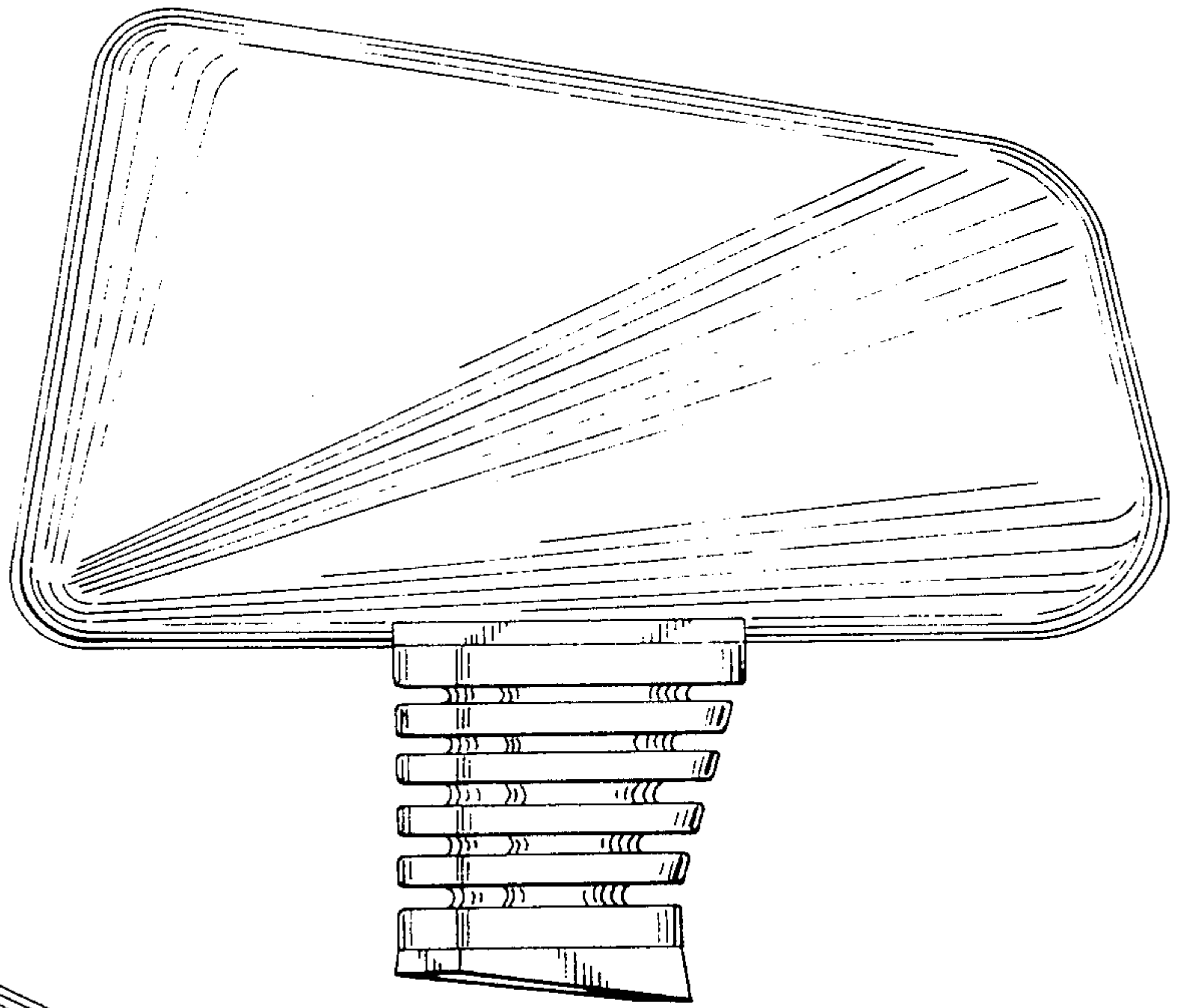


FIG. 5

FIG. 6

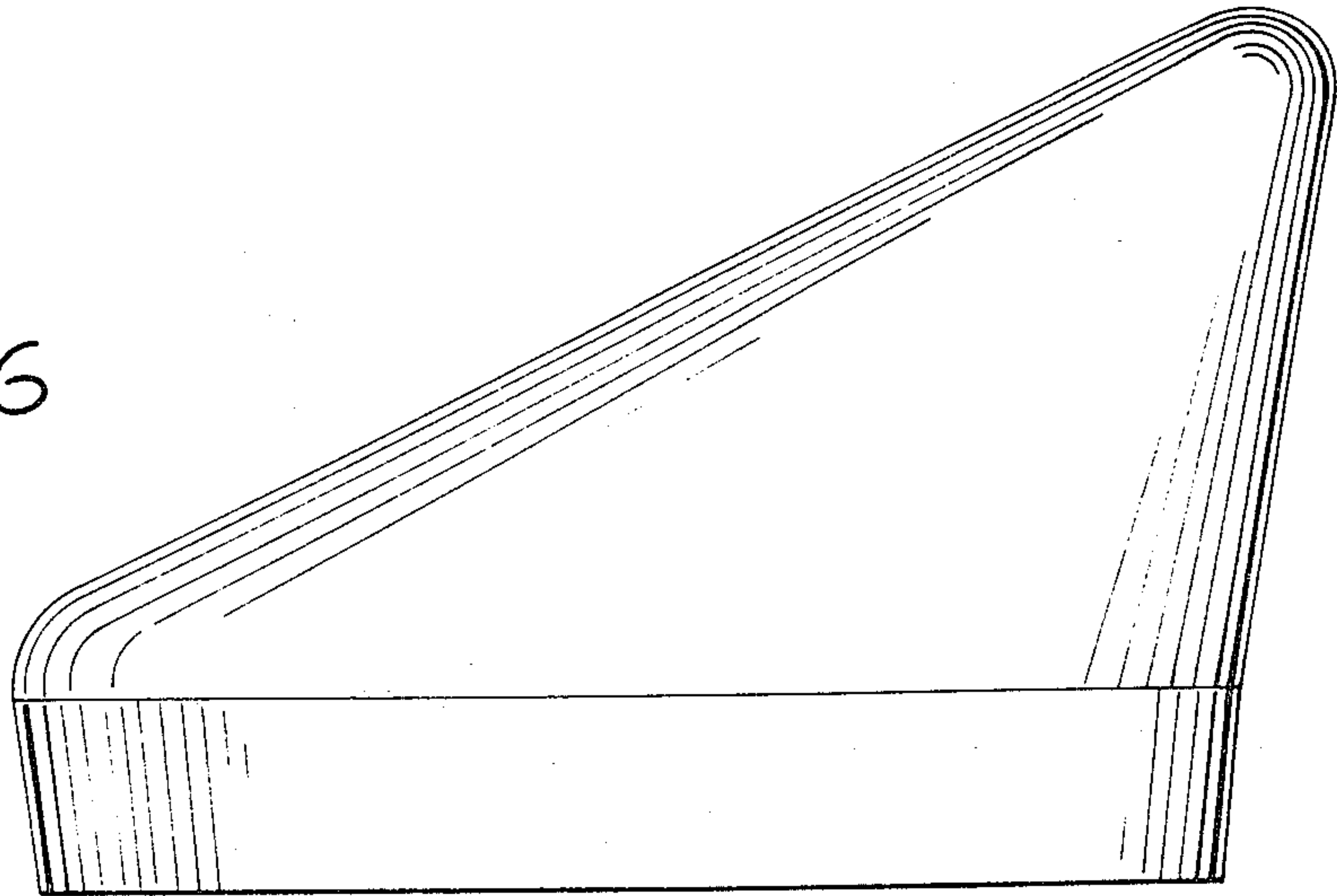


FIG. 7

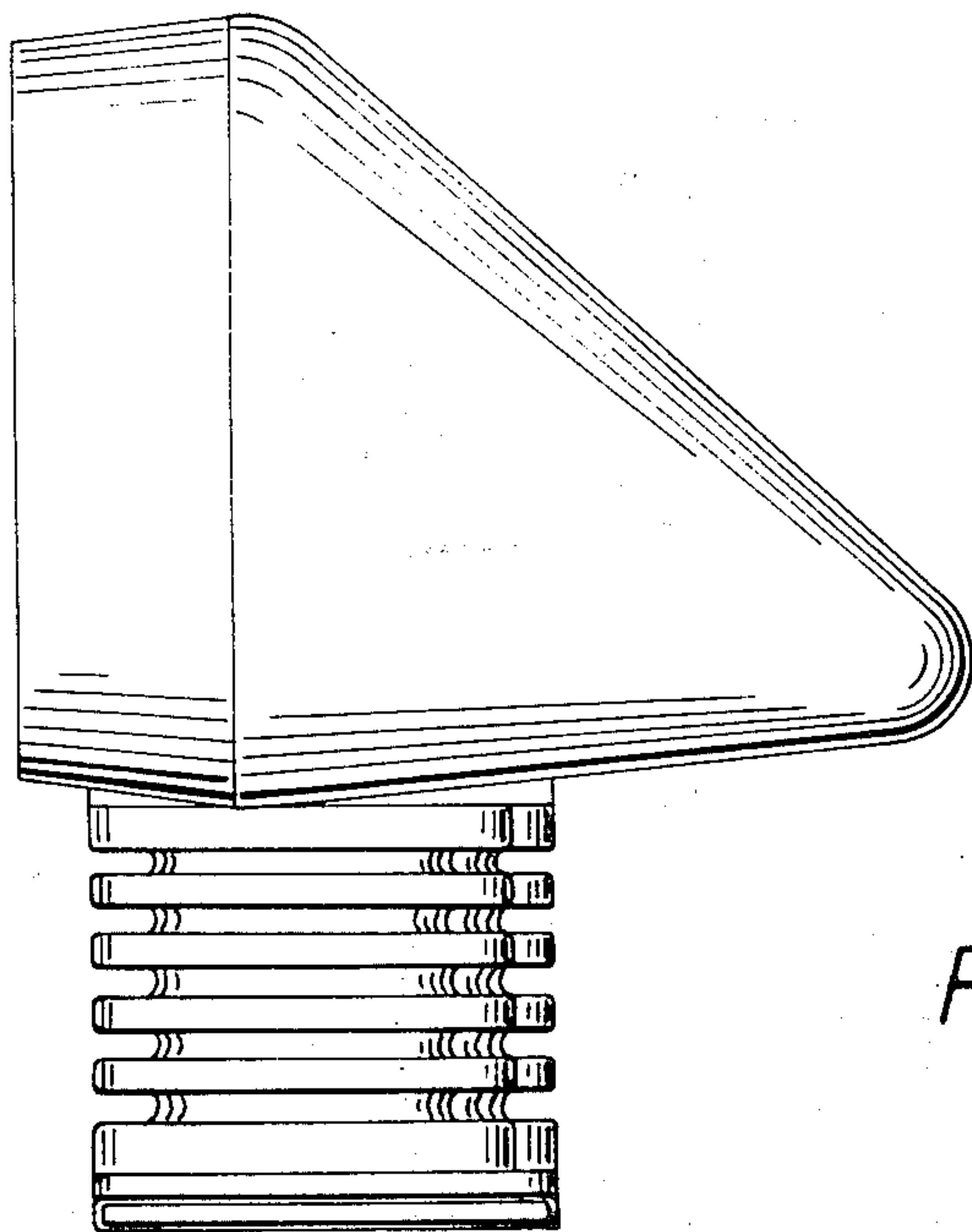
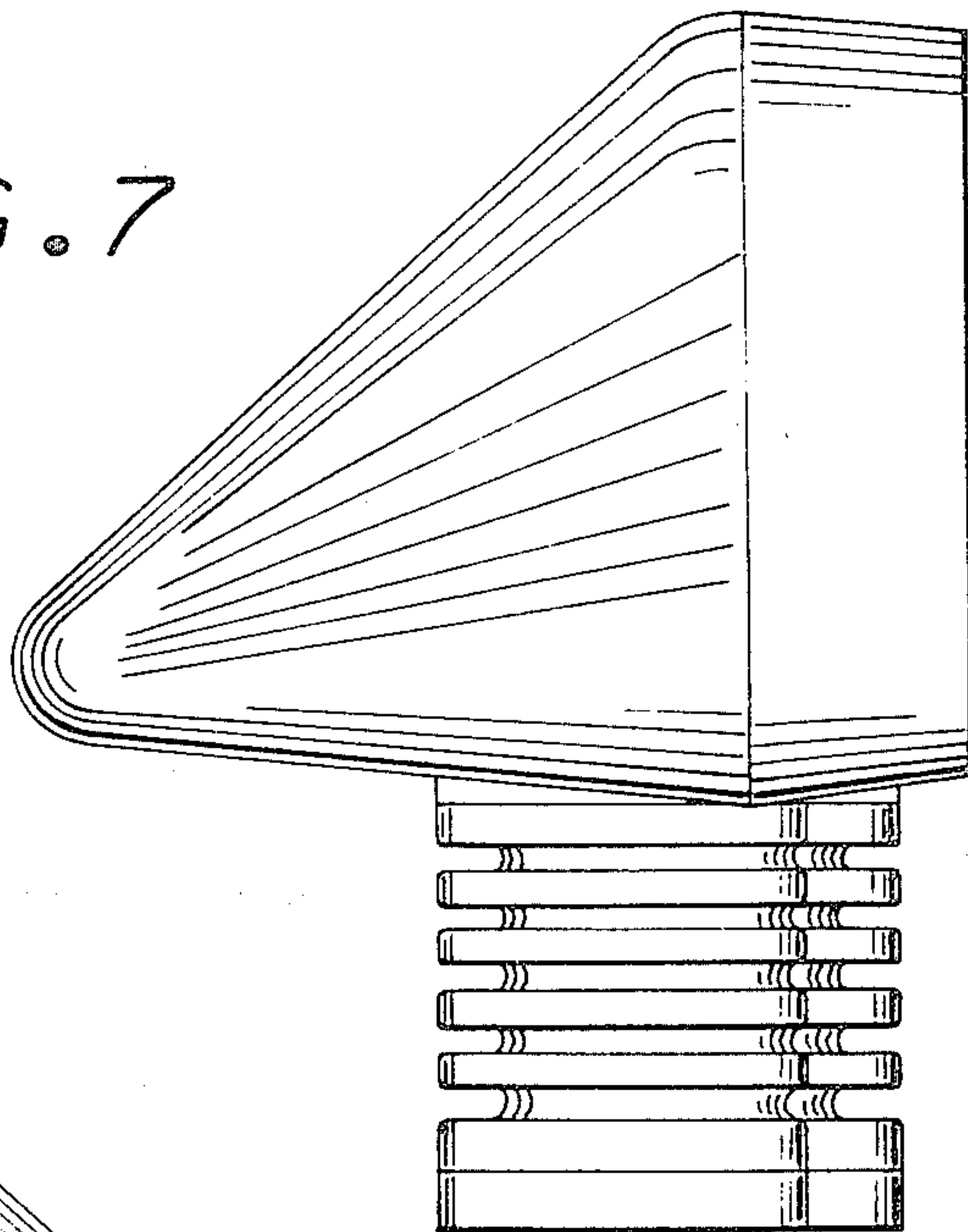


FIG. 8

Disclaimer

Des. 276,992.—*Frank T. Eichstadt*, Westminister, Calif. REAR VIEW MIRROR FOR AUTOMOTIVE VEHICLES. Patent dated Jan. 1, 1985. Disclaimer filed Mar. 29, 1989, by the assignee, Mr. Gasket Co.

Hereby enters this disclaimer to the entire term of said patent.
[*Official Gazette May 9, 1989*]