

[54] **BICYCLE RACK**

[76] **Inventor: James R. Blackburn, 75 Cristich La., Campbell, Calif. 95008**

[**] **Term: 14 Years**

[21] **Appl. No.: 422,715**

[22] **Filed: Sep. 24, 1982**

[52] **U.S. Cl. D12/158**

[58] **Field of Search D12/158; 224/38, 39, 224/32 A, 30 R**

[56] **References Cited**

U.S. PATENT DOCUMENTS

4,429,818 2/1984 Patterson et al. 224/39

OTHER PUBLICATIONS

Bikeology Summer 1981 Catalog, p. 44, Rhode Back, Front Back and Rear Brake Mounting Model Rack.

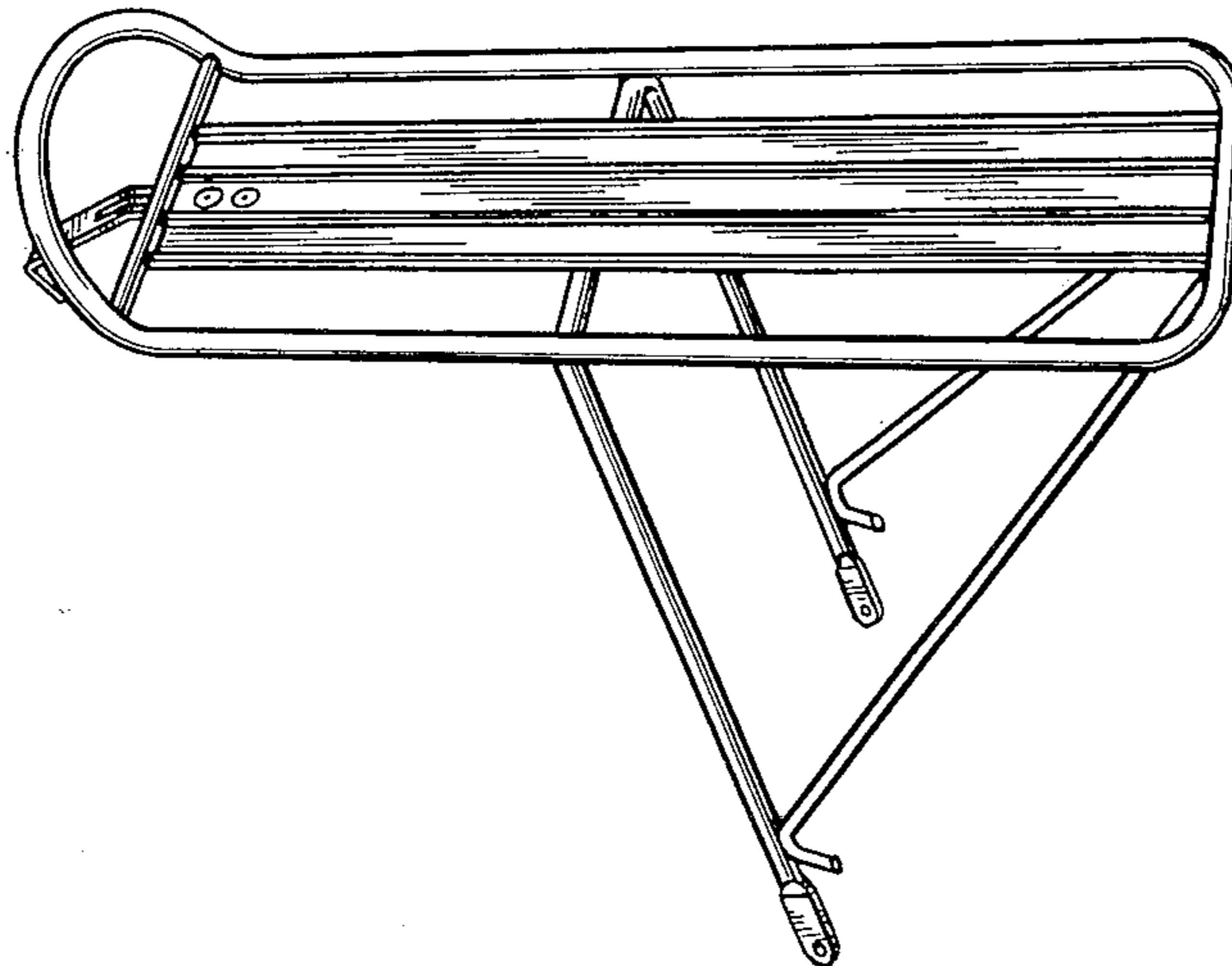
Primary Examiner—James M. Gandy
Attorney, Agent, or Firm—Hamrick, Hoffman, Guillot & Kazubowski

[57] **CLAIM**

The ornamental design for a bicycle rack, substantially as shown and described.

DESCRIPTION

FIG. 1 is a perspective view illustrating a bicycle rack in accordance with my new design;
FIG. 2 is a left side elevational view thereof, the right side not shown, being a mirror image of this figure;
FIG. 3 is a top plan view thereof;
FIG. 4 is a front elevational view thereof; and
FIG. 5 is a rear elevational view thereof.



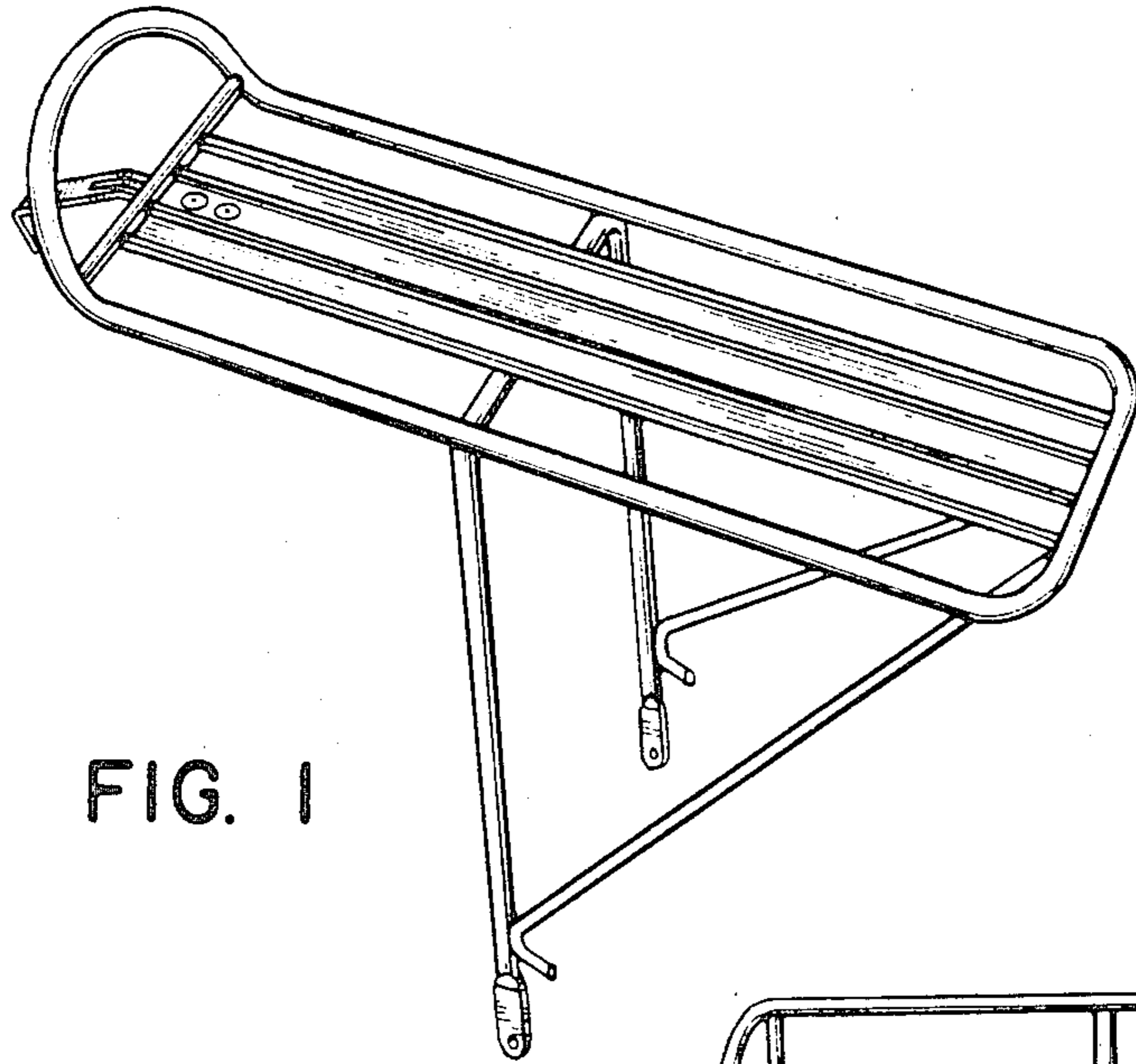


FIG. 1

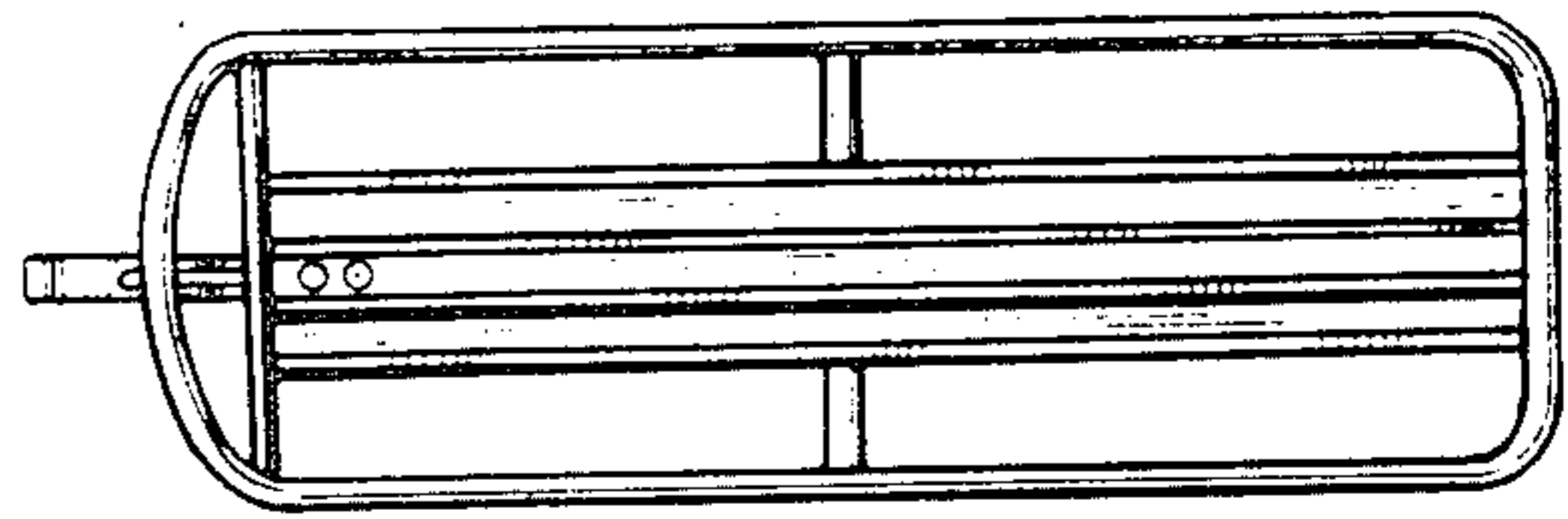


FIG. 3

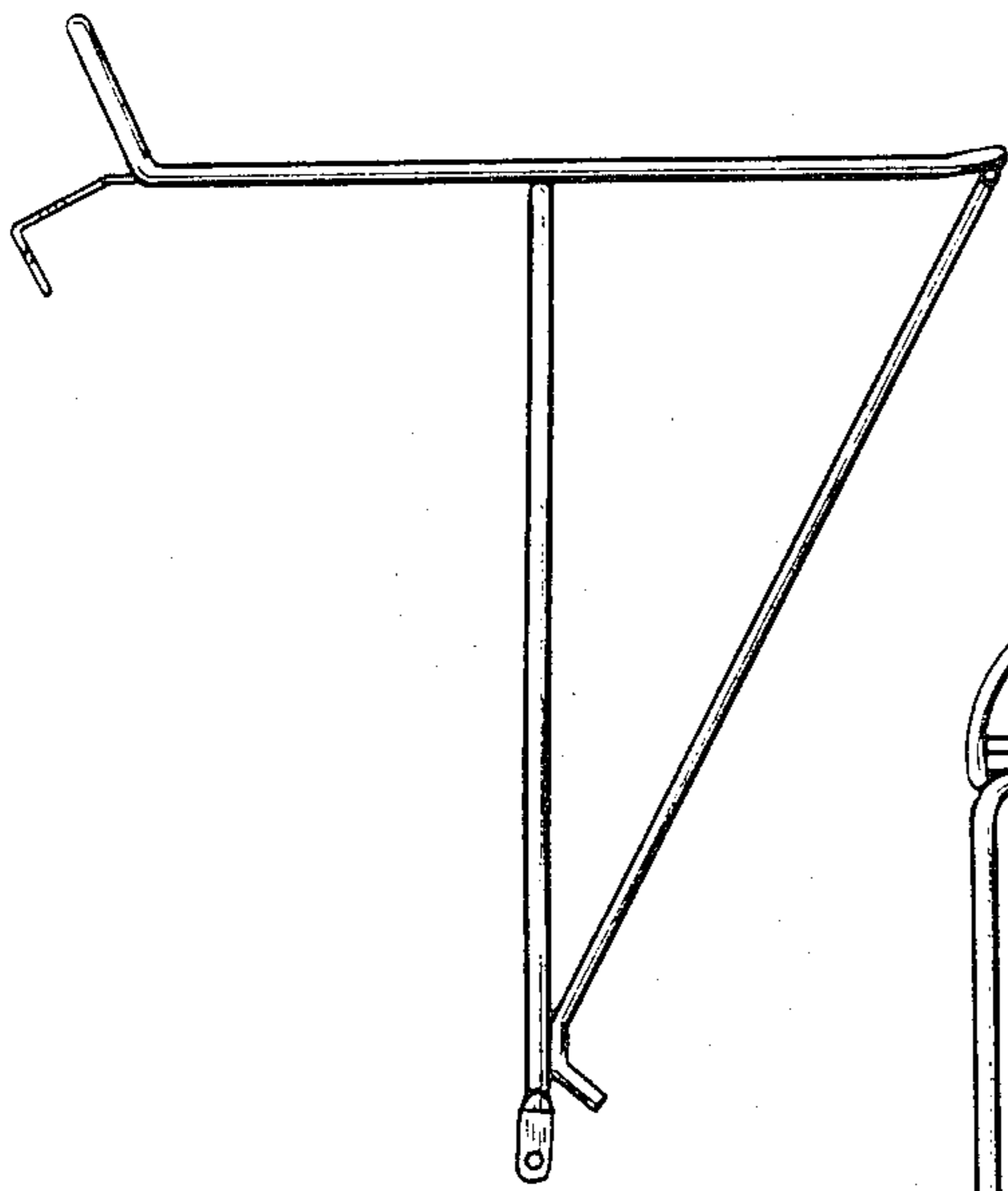


FIG. 2

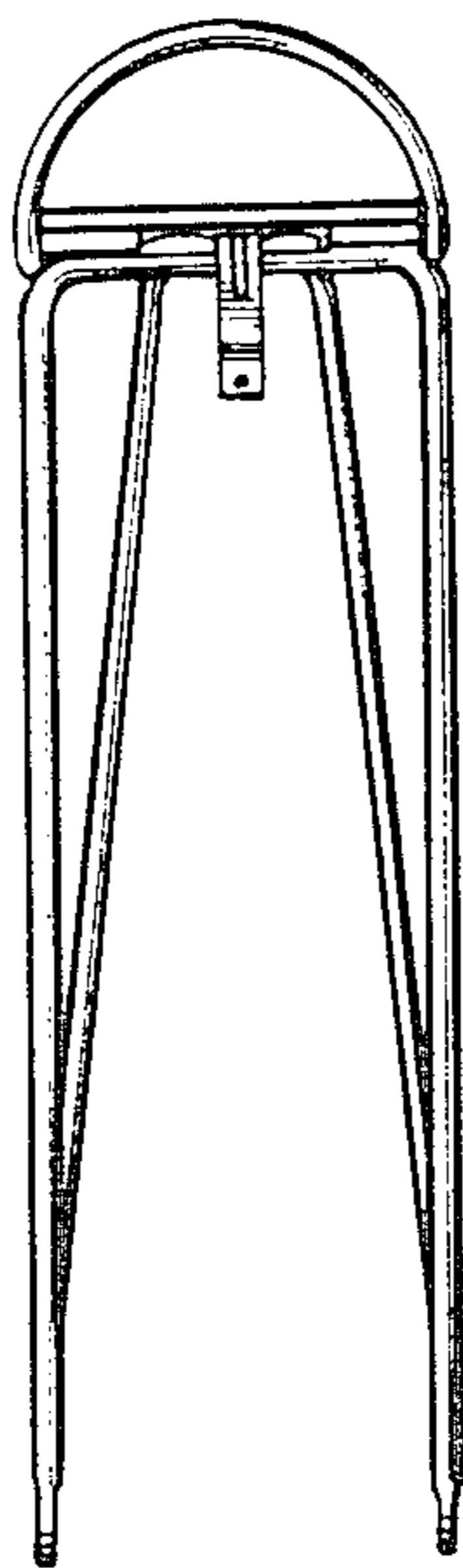


FIG. 4

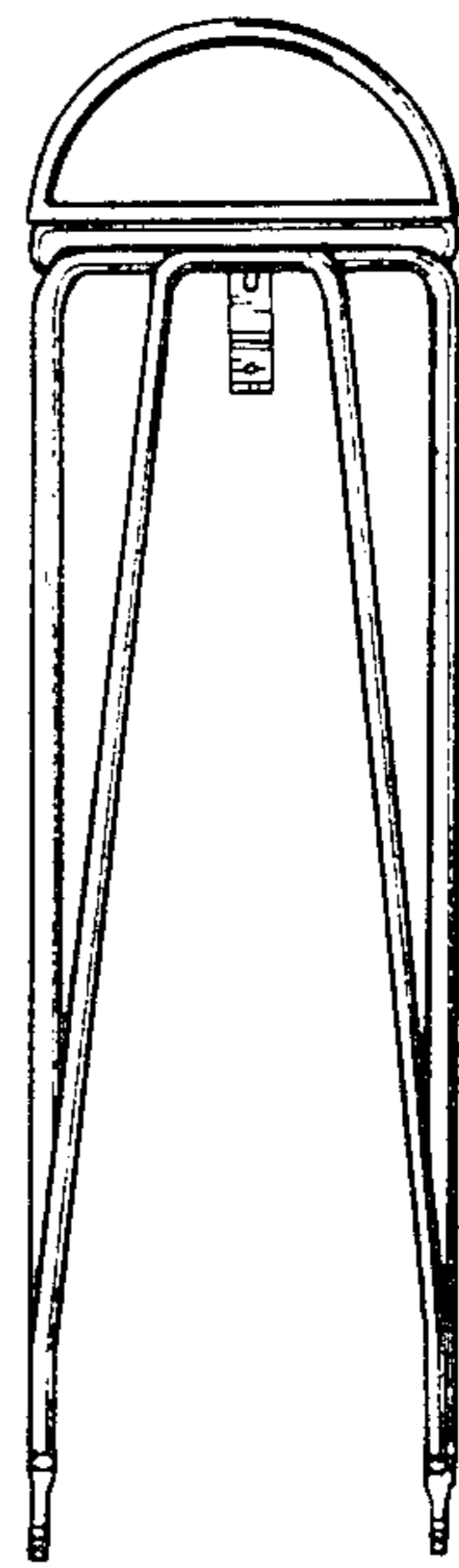


FIG. 5