

[54] ARTICLE CARRIER BRACKET

[75] Inventor: Frank Whitney, Algonac, Mich.

[73] Assignee: Masco Corporation

[\*\*] Term: 14 Years

[21] Appl. No.: 375,408

[22] Filed: May 6, 1982

[52] U.S. Cl. .... D12/157

[58] Field of Search ..... D12/157; 224/324, 309; 248/499; D8/356, 382

[56] References Cited

U.S. PATENT DOCUMENTS

- D. 255,344 6/1980 Ingram ..... D12/157
- D. 272,817 2/1984 Mareydt ..... D12/157
- 4,277,009 7/1981 Bott ..... 224/309

Primary Examiner—James M. Gandy  
Attorney, Agent, or Firm—Steven L. Permut; Malcolm L. Sutherland; Leon E. Redman

[57] CLAIM

The ornamental design for an article carrier bracket, as shown and described.

DESCRIPTION

FIG. 1 is a perspective view of an article carrier bracket showing my new design in conjunction with a portion of an article carrier which is shown in broken lines for illustrative purposes only;

FIG. 2 is a side elevational view thereof;

FIG. 3 is a rear elevational view thereof;

FIG. 4 is a side elevational view thereof in unlocked position; and

FIG. 5 is a front elevational view thereof.

The side opposite to that shown in FIGS. 2 and 4 is substantially plain and unornamented.

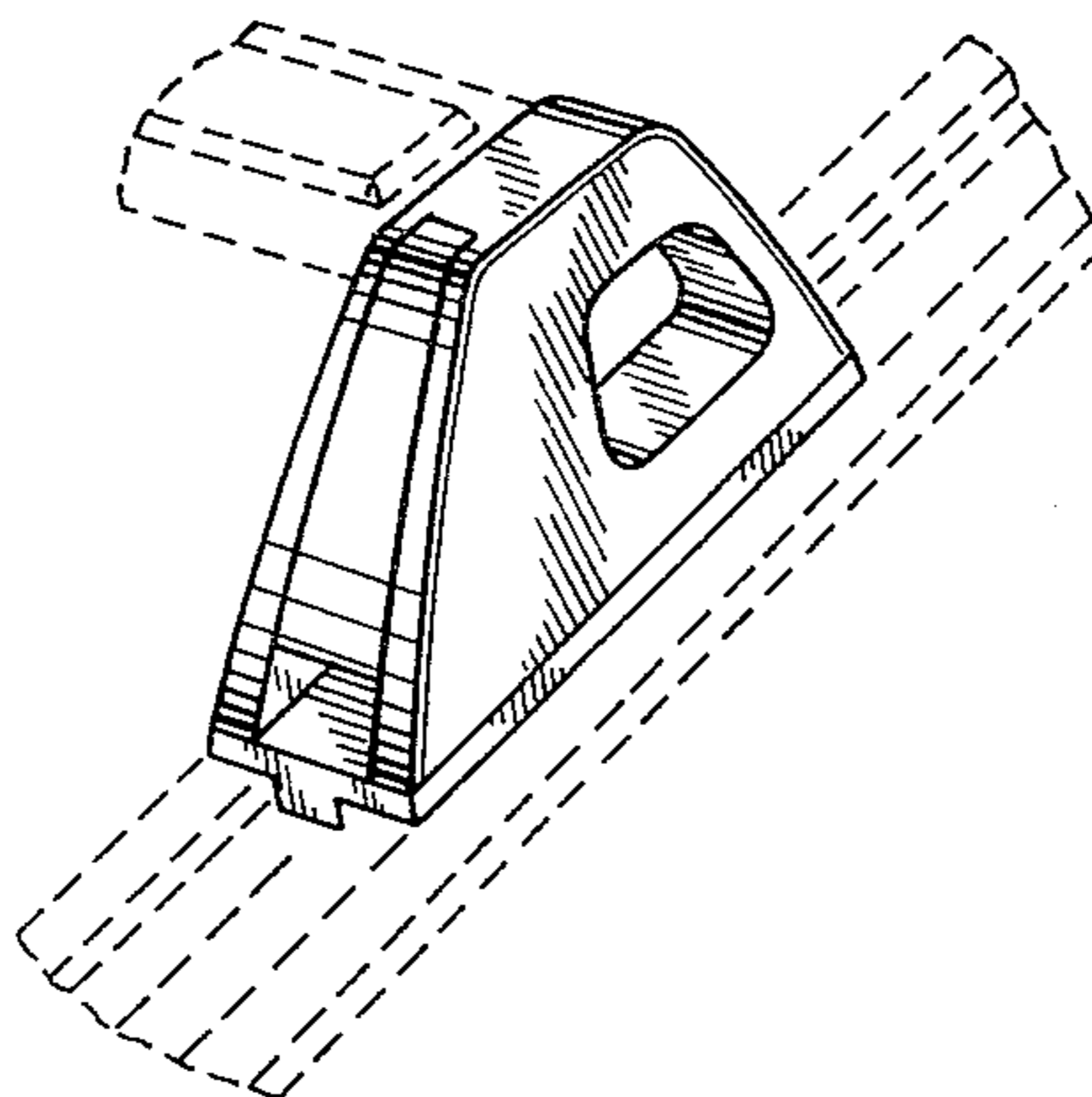


FIG. 1

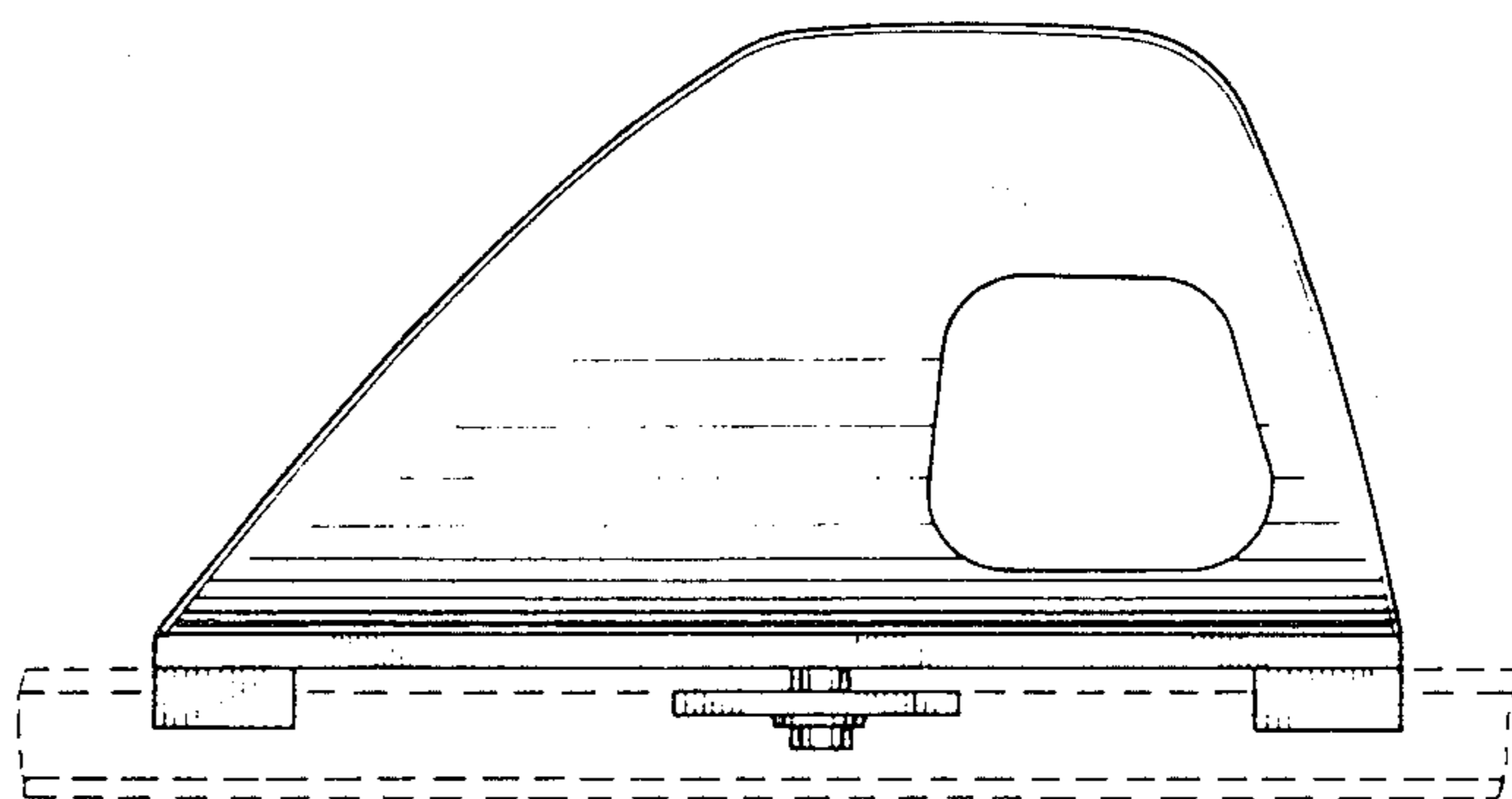
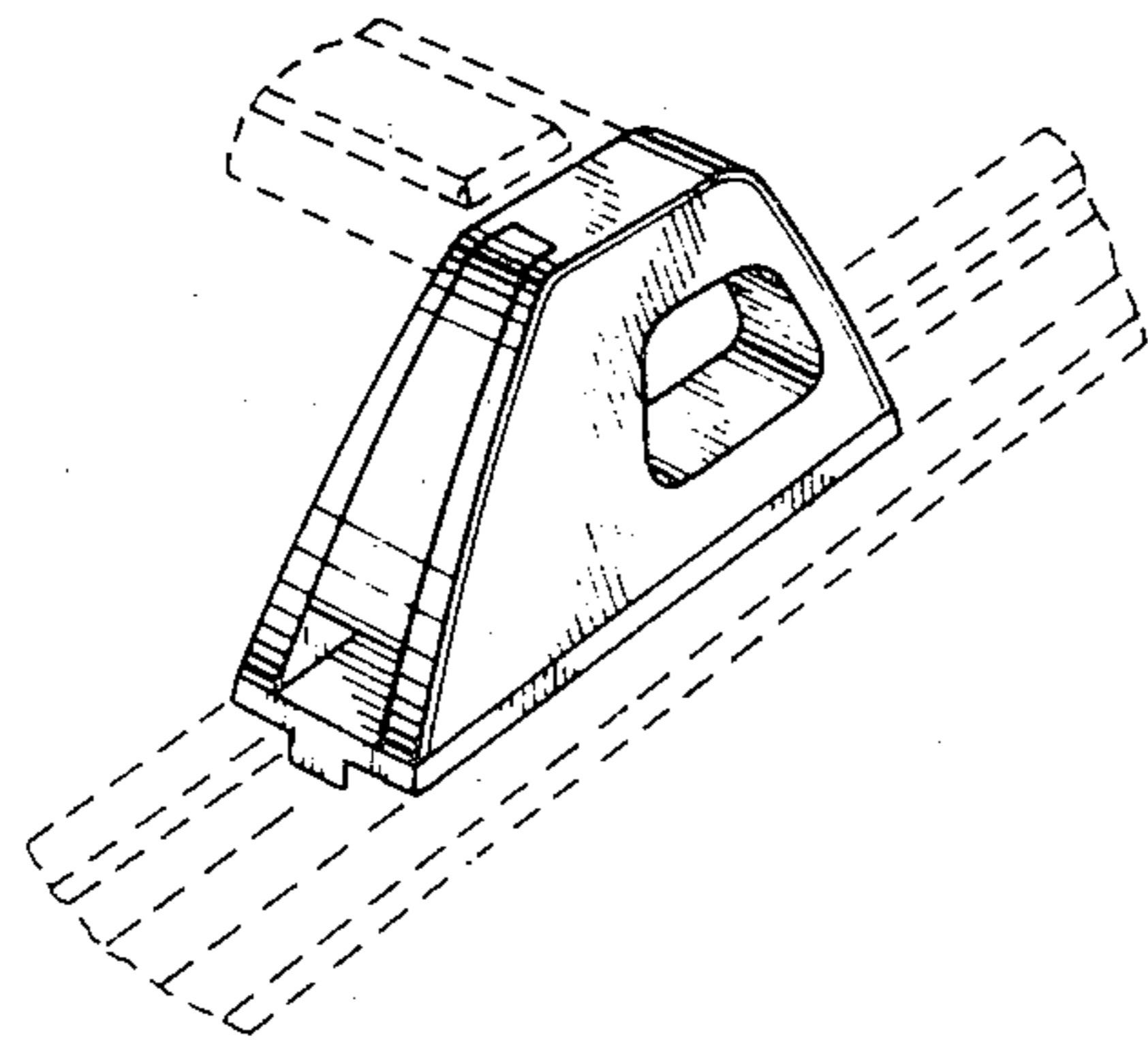


FIG. 2

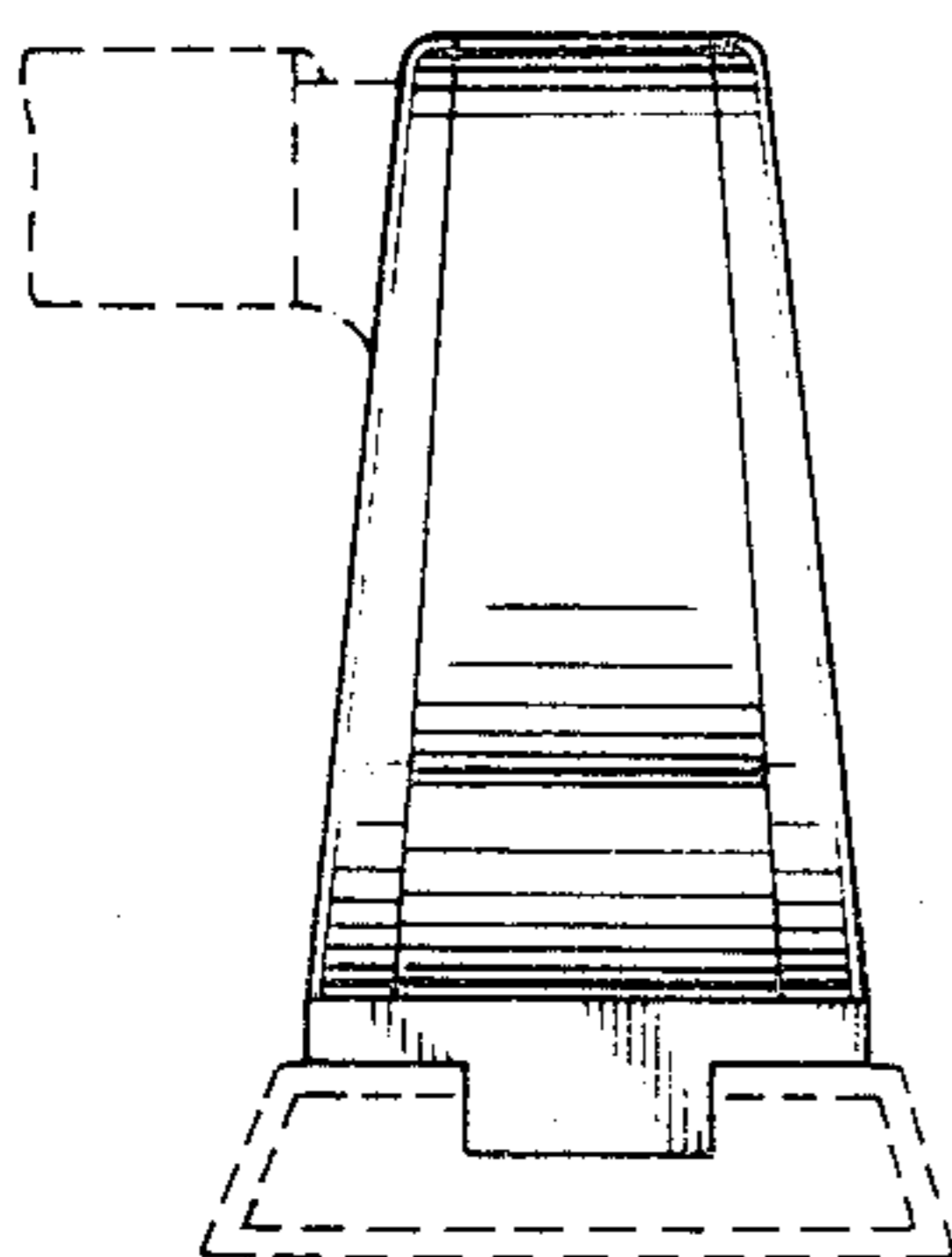


FIG. 3

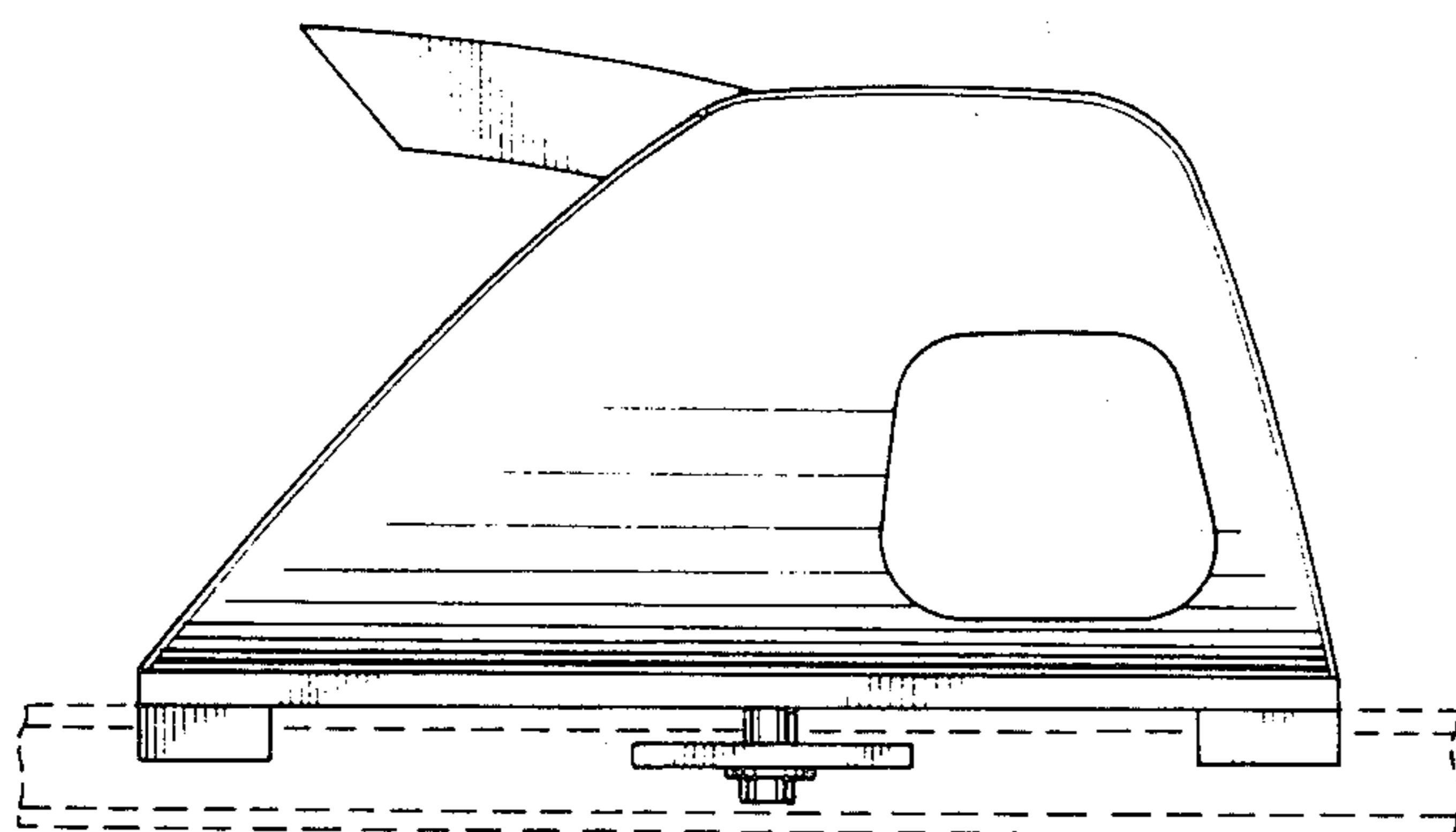


FIG. 4

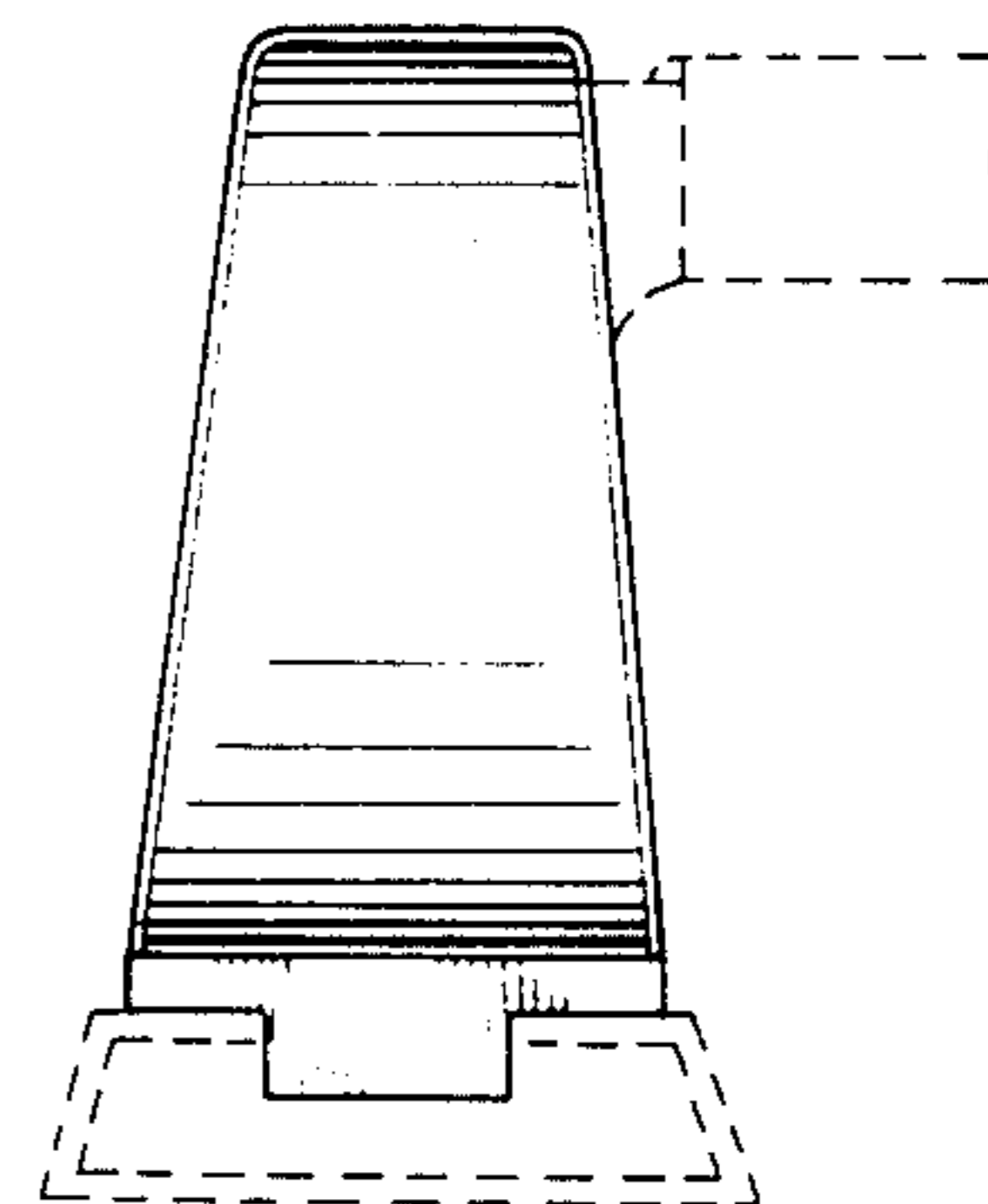


FIG. 5