

- [54] MOTORCYCLE STAND OR SIMILAR ARTICLE
- [76] Inventor: Joel T. Shedden, P.O. Box 628, Lake Elsinore, Calif. 92330
- [**] Term: 14 Years
- [21] Appl. No.: 401,888
- [22] Filed: Jul. 26, 1982
- [52] U.S. Cl. D12/115
- [58] Field of Search D12/115, 120; 280/293, 280/301; 211/17, 22

- [56] **References Cited**
- U.S. PATENT DOCUMENTS**
- D. 252,201 6/1979 Severloh D12/115
- OTHER PUBLICATIONS**
- J. C. Whitney Motorcycle Parts & Accessories Catalog

No. 10A, ©1975, p. 16, Motorcycle & Mini Bike Repair Stands, [B] and [C], right side of page.

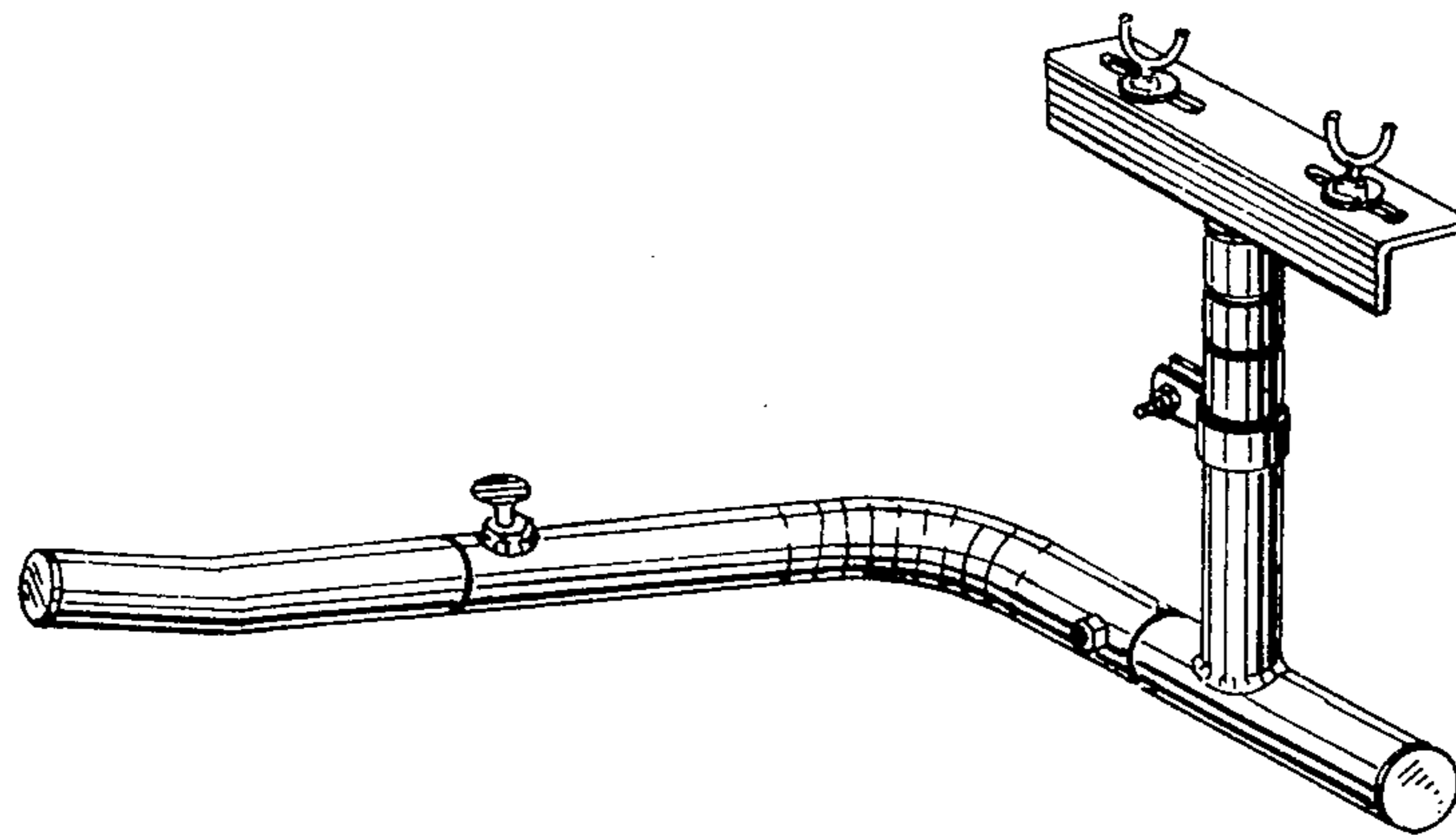
Primary Examiner—James M. Gandy
Attorney, Agent, or Firm—John H. Crowe

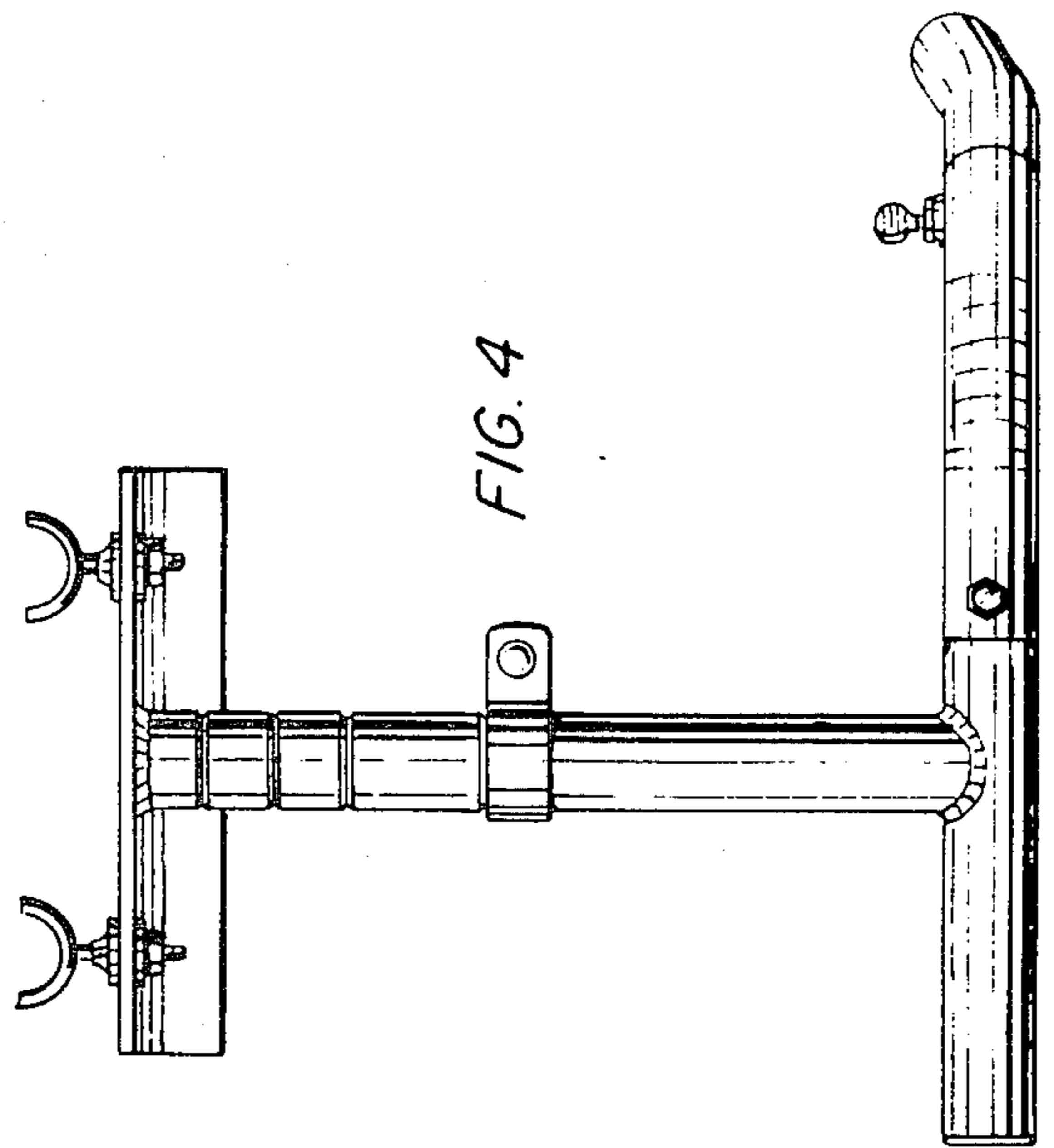
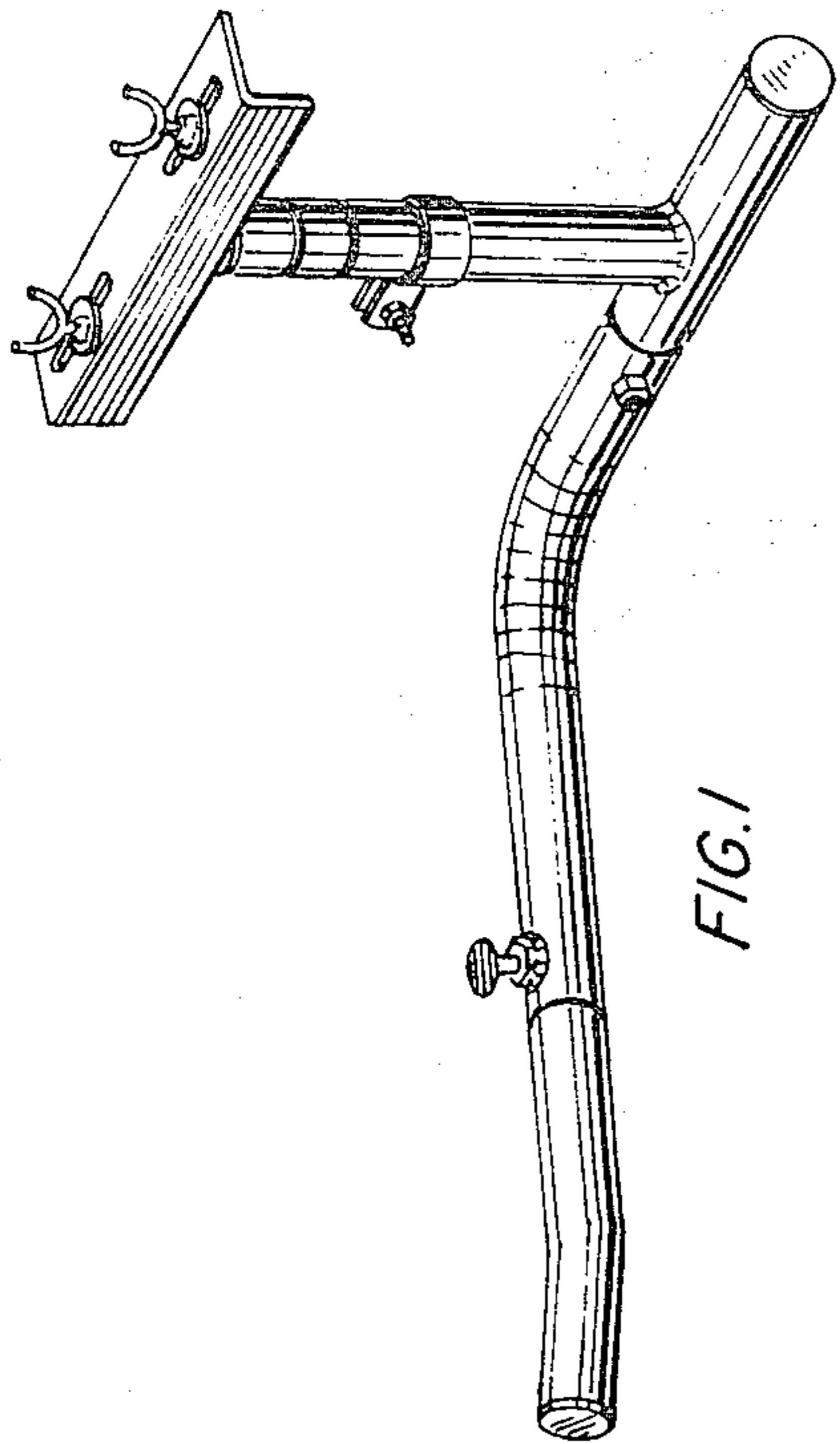
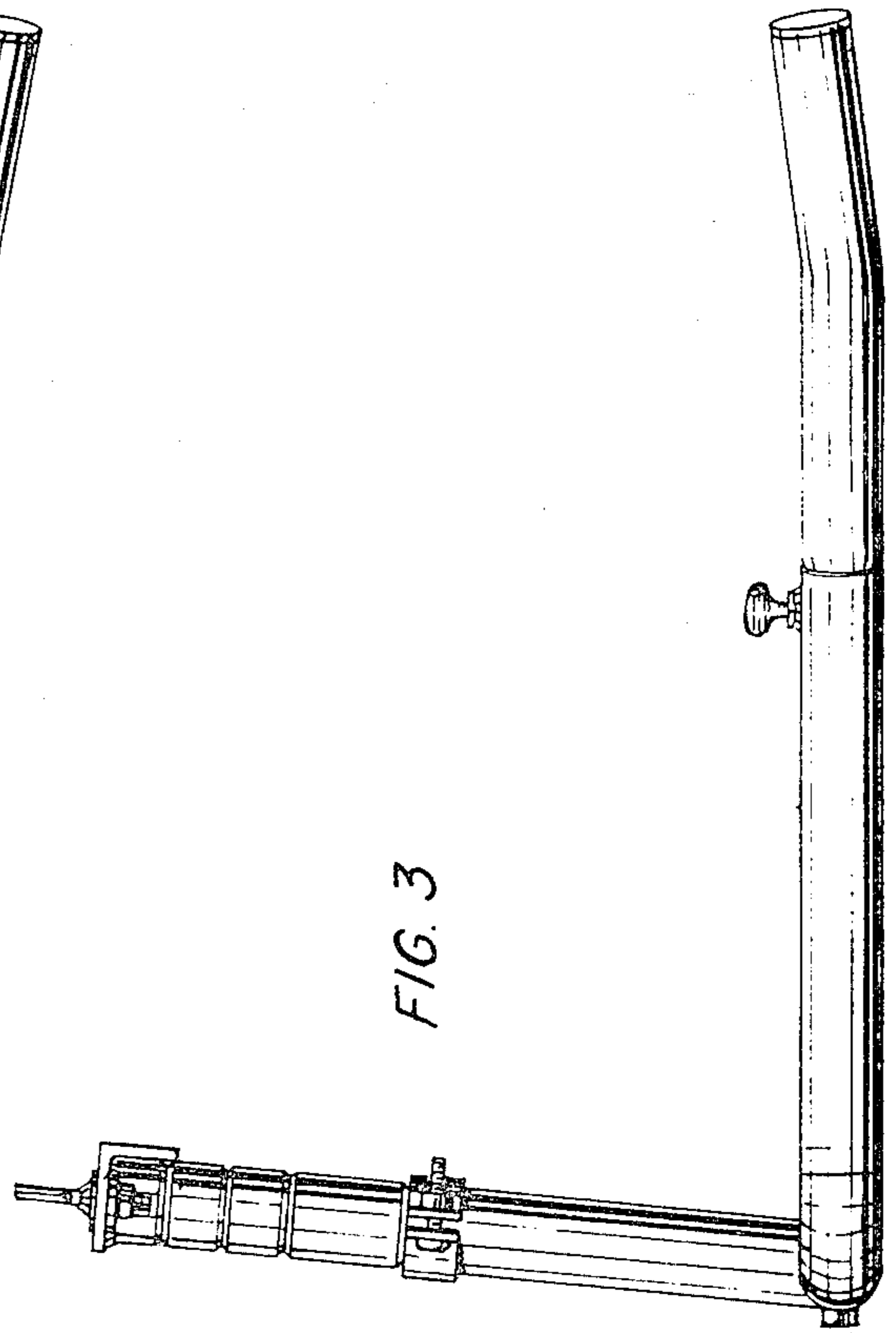
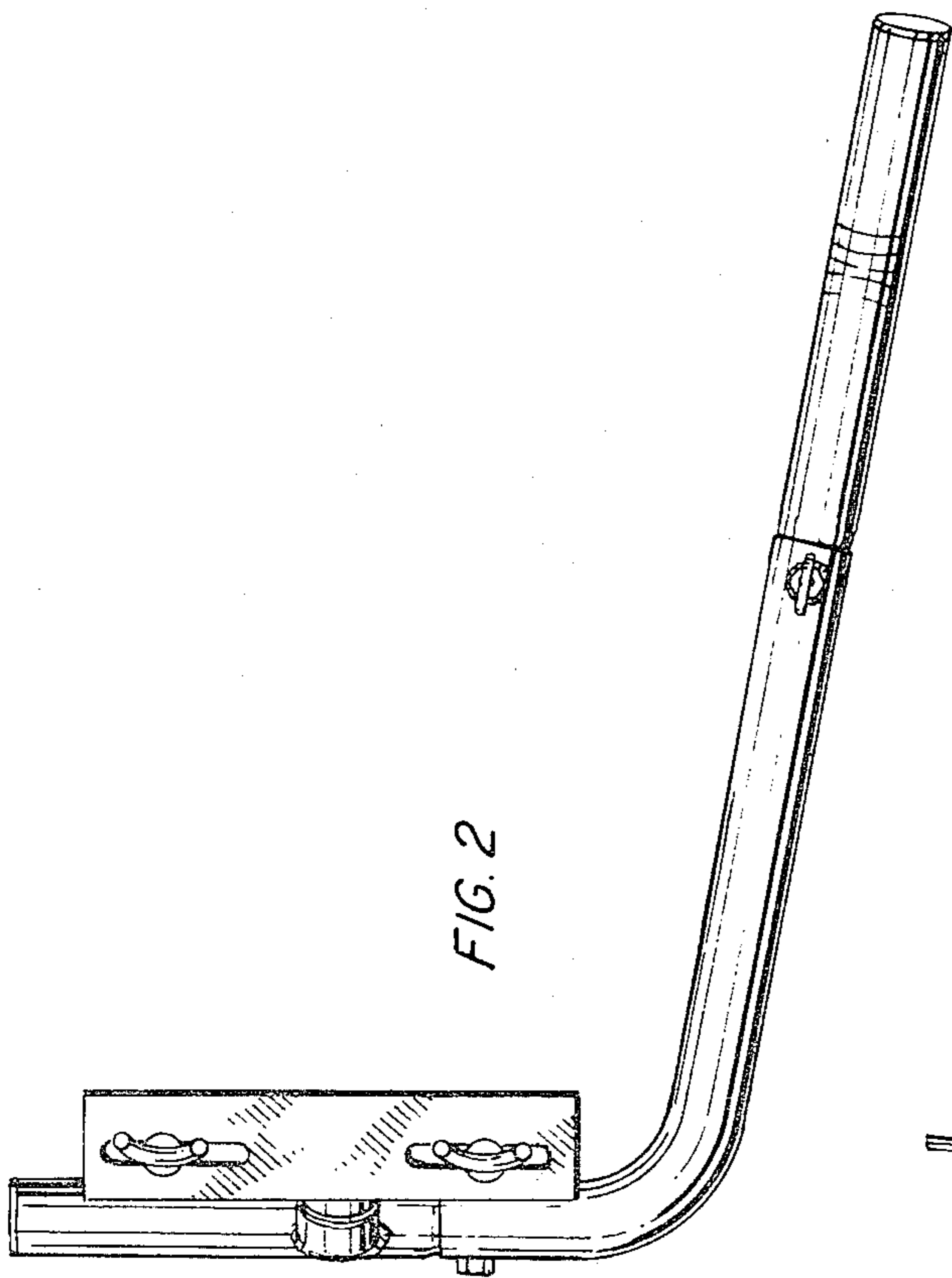
[57] **CLAIM**

The ornamental design for a motorcycle stand or similar article, substantially as shown and described.

DESCRIPTION

FIG. 1 is a rear perspective view of a motorcycle stand or similar article showing my new design.
 FIG. 2 is a top plan view thereof, drawn to an enlarged scale.
 FIG. 3 is a front elevational view of FIG. 2.
 FIG. 4 is a left end elevational view of FIG. 2.
 FIG. 5 is a bottom plan view of FIG. 2.
 FIG. 6 is a rear elevational view of FIG. 2.
 FIG. 7 is a right end elevational view of FIG. 2.





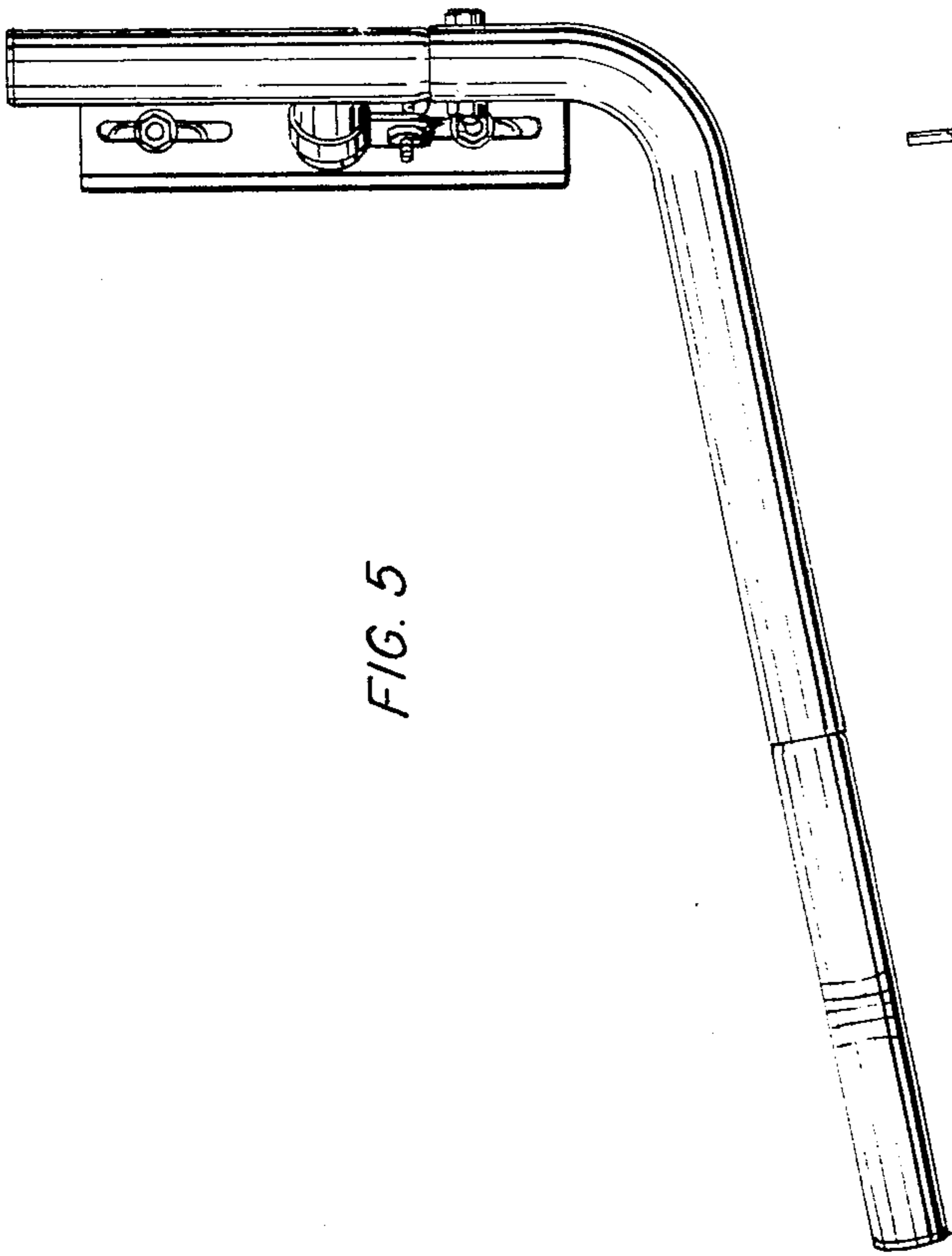


FIG. 5

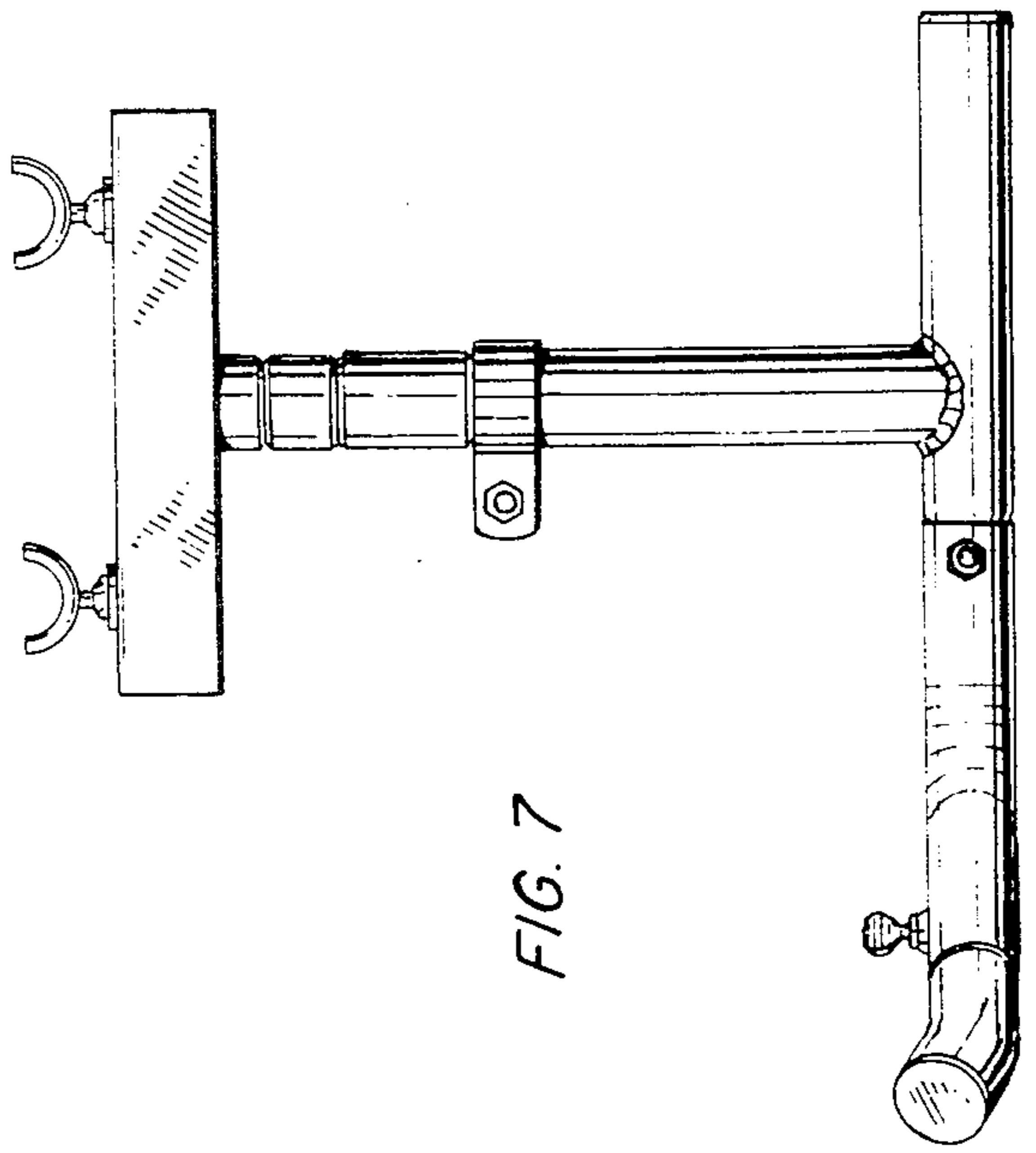


FIG. 7

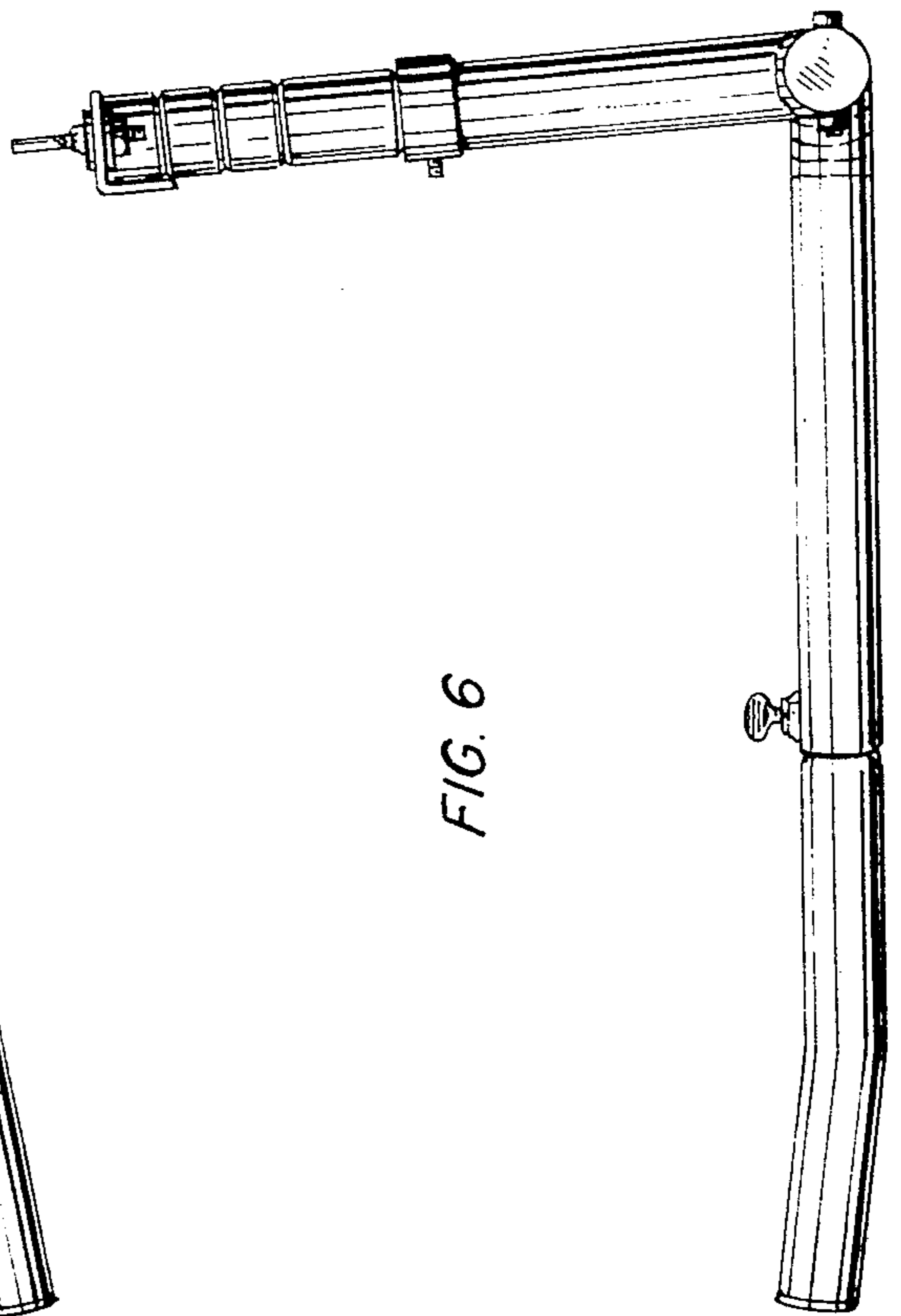


FIG. 6