

[54] **ANGLE FITTING**

2,208,227 7/1940 Page ..... 52/280  
2,364,083 12/1944 Lindsay ..... 52/280

[76] **Inventor: Frank Ahlund, Box 8069, 421 08  
Vastra Frolunda, Sweden**

[\*\*] **Term: 14 Years**

[21] **Appl. No.: 402,283**

[22] **Filed: Jul. 27, 1982**

[30] **Foreign Application Priority Data**

Feb. 4, 1982 [SE] Sweden ..... 247/82  
[52] **U.S. Cl.** ..... D8/400; D8/354  
[58] **Field of Search** ..... D8/349, 354, 382;  
403/405, 403; 52/280

[56] **References Cited**

**U.S. PATENT DOCUMENTS**

1,789,102 1/1931 Jorgensen ..... 52/280  
1,915,215 6/1933 Carpenter ..... 403/403

**OTHER PUBLICATIONS**

Grammes Cat. 66; 1941; p. 30; Box Corner 110.  
Grammes Cat. 66; 1941; p. 30; Card Table No. 16075.

*Primary Examiner*—B. J. Bullock  
*Attorney, Agent, or Firm*—Harness, Dickey & Pierce

[57] **CLAIM**

The ornamental design for an angle fitting, substantially as shown and described.

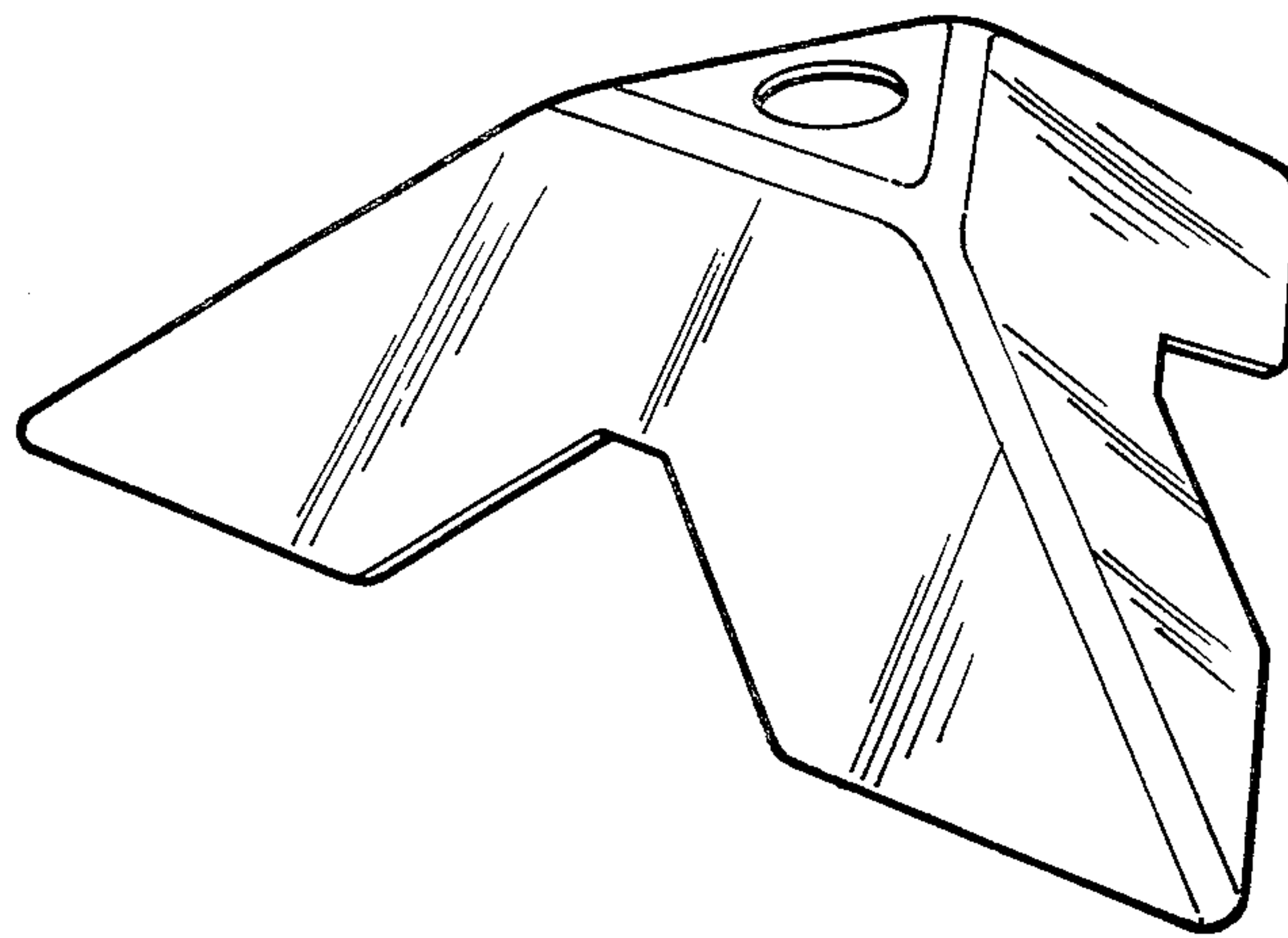
**DESCRIPTION**

FIG. 1 is a perspective view of an angle fitting embodying my new design.

FIG. 2 is a bottom perspective view thereof.

FIG. 3 is a top plan view thereof.

FIG. 4 is a side elevational view thereof. The three remaining sides appear the same as in this figure.



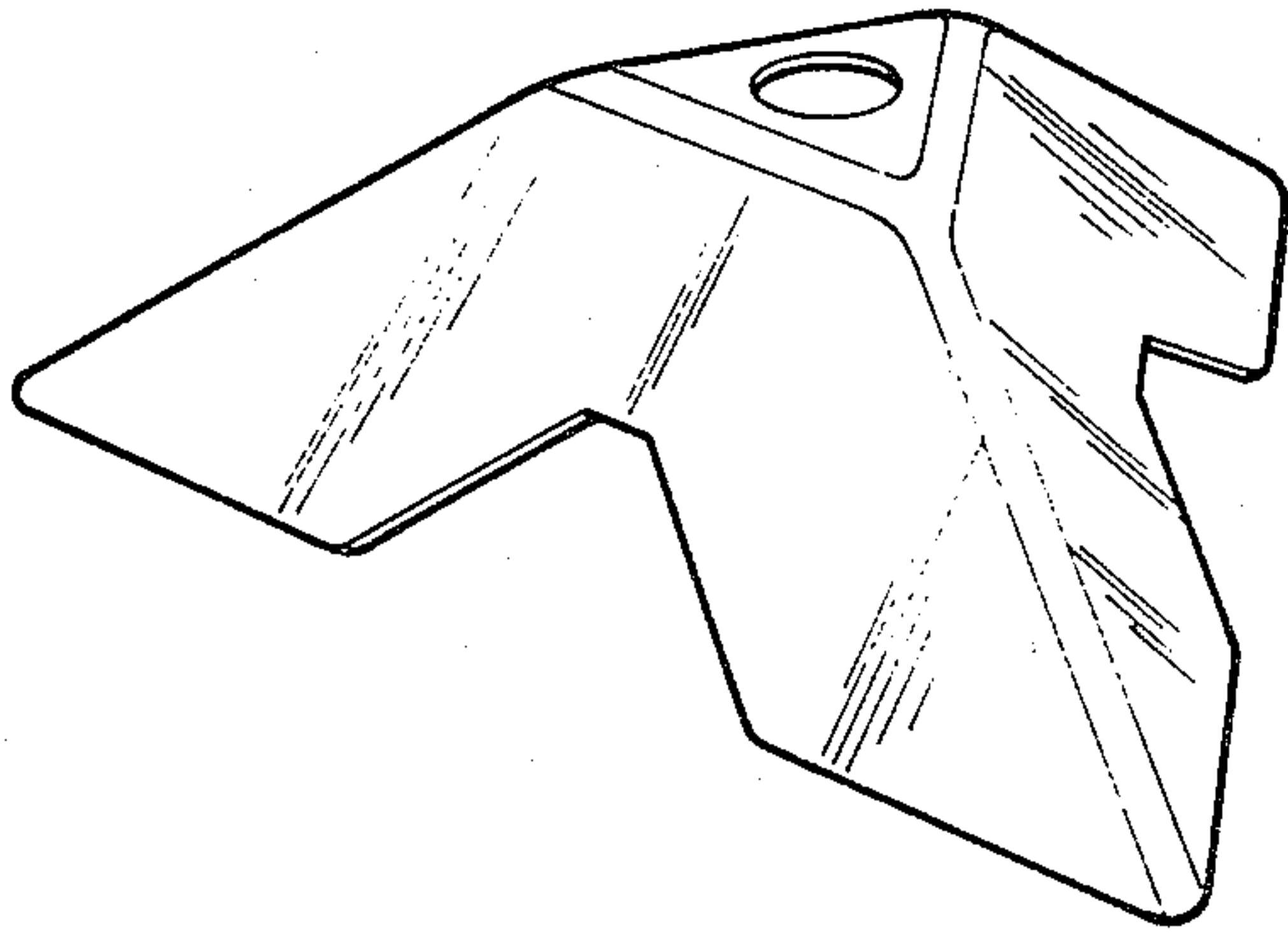


Fig-1

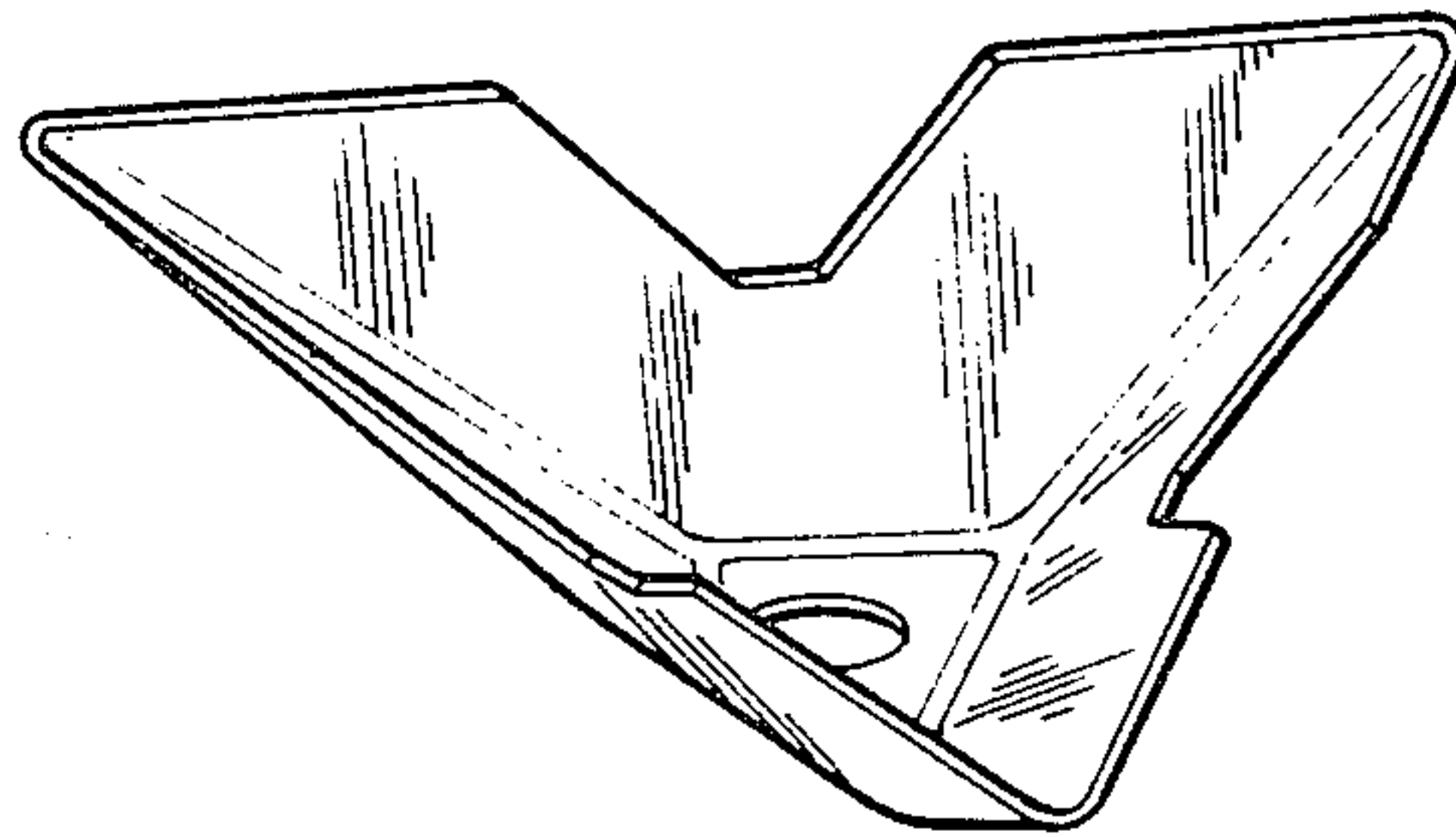


Fig-2

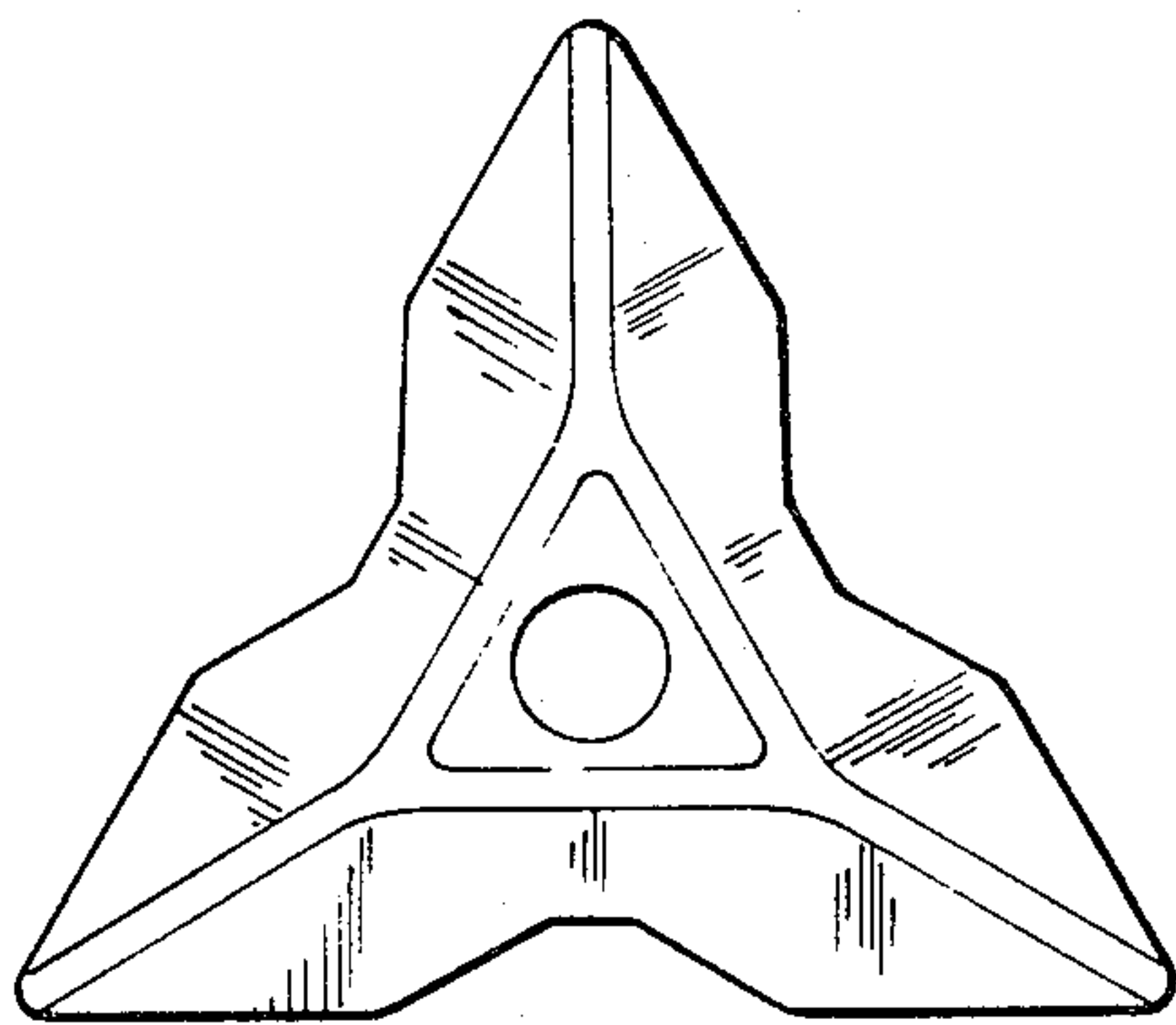


Fig-3

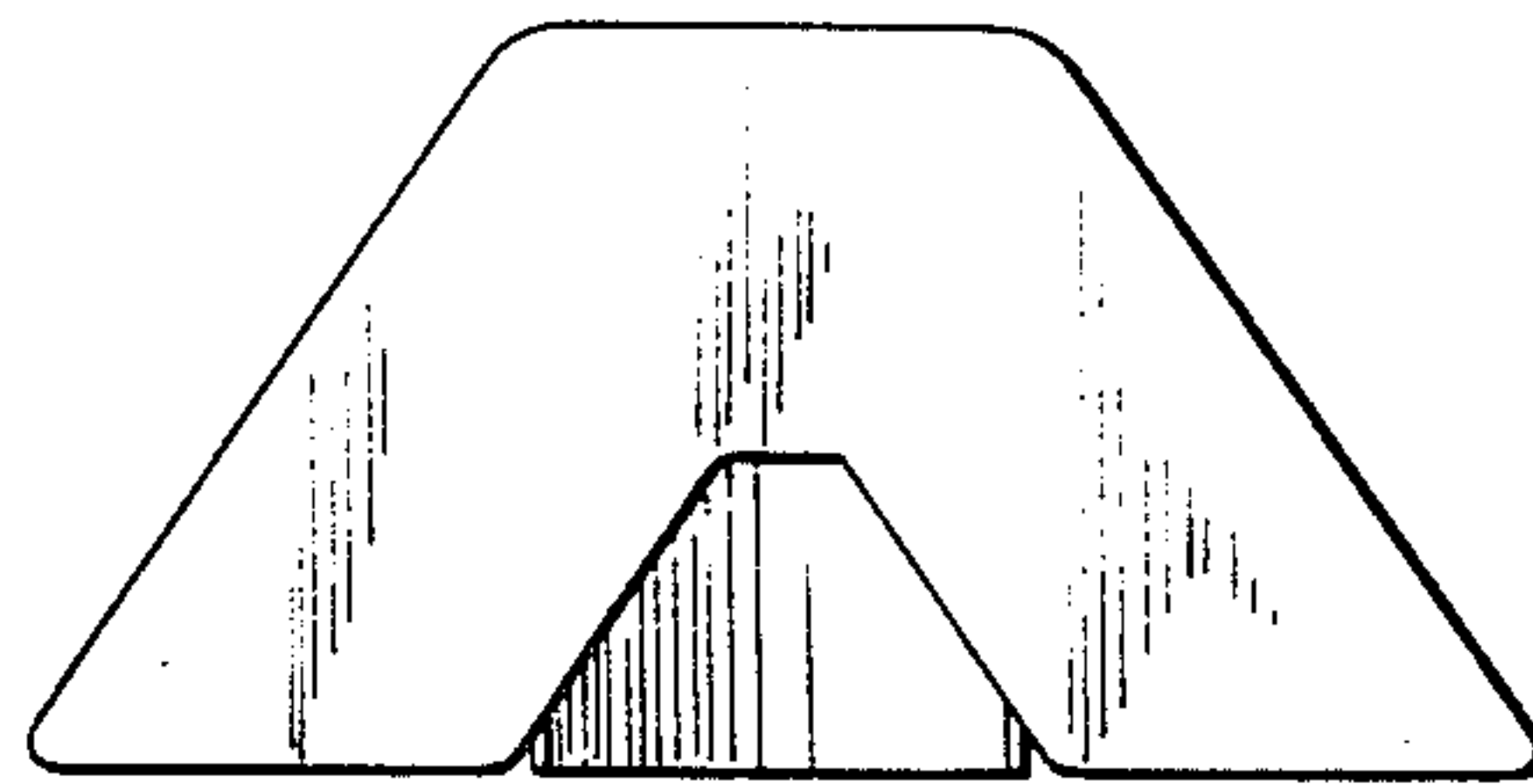


Fig-4