

[54] GARDENING HOE IMPLEMENT HEAD

[75] Inventor: Walter Kolb, Betzdorf, Fed. Rep. of Germany

[73] Assignee: Wolf-Gerate GmbH, Fed. Rep. of Germany

[**] Term: 14 Years

[21] Appl. No.: 383,155

[22] Filed: May 28, 1982

[52] U.S. Cl. D8/11

[58] Field of Search D8/1-13; 72/371, 377

[56] References Cited

U.S. PATENT DOCUMENTS

D. 230,127	1/1974	Banner	D8/11
D. 232,515	8/1974	Steck et al.	D8/11
D. 253,807	1/1980	Baylis	D8/11
702,911	6/1902	Barnelle	D8/11 X
1,039,056	9/1912	Hess	D8/11 X
1,468,628	9/1923	Dunbar	D8/11 X
1,591,280	7/1926	Corr	D8/11 X
1,719,400	7/1929	Hampson	D8/11 X

2,040,751	5/1936	Marseilles	D8/13 X
2,787,204	4/1957	Lechenby	D8/11 X
3,435,903	4/1969	Sherrod, Jr.	D8/11 X

FOREIGN PATENT DOCUMENTS

40149	5/1929	Denmark	172/371
964545	5/1957	Fed. Rep. of Germany	172/377
21050	of 1904	United Kingdom	172/371
18468	of 1910	United Kingdom	172/371

Primary Examiner—A. Hugo Word
Assistant Examiner—Horace B. Fay
Attorney, Agent, or Firm—Ostrolenk, Faber, Gerb & Soffen

[57] CLAIM

The ornamental design for a gardening hoe implement head, as shown.

DESCRIPTION

FIG. 1 is a top plan view of a gardening hoe implement head;
FIG. 2 is a bottom plan view thereof;
FIG. 3 is a front view thereof;
FIG. 4 is a rear view thereof;
FIG. 5 is a left side view thereof; and
FIG. 6 is a right side view thereof.

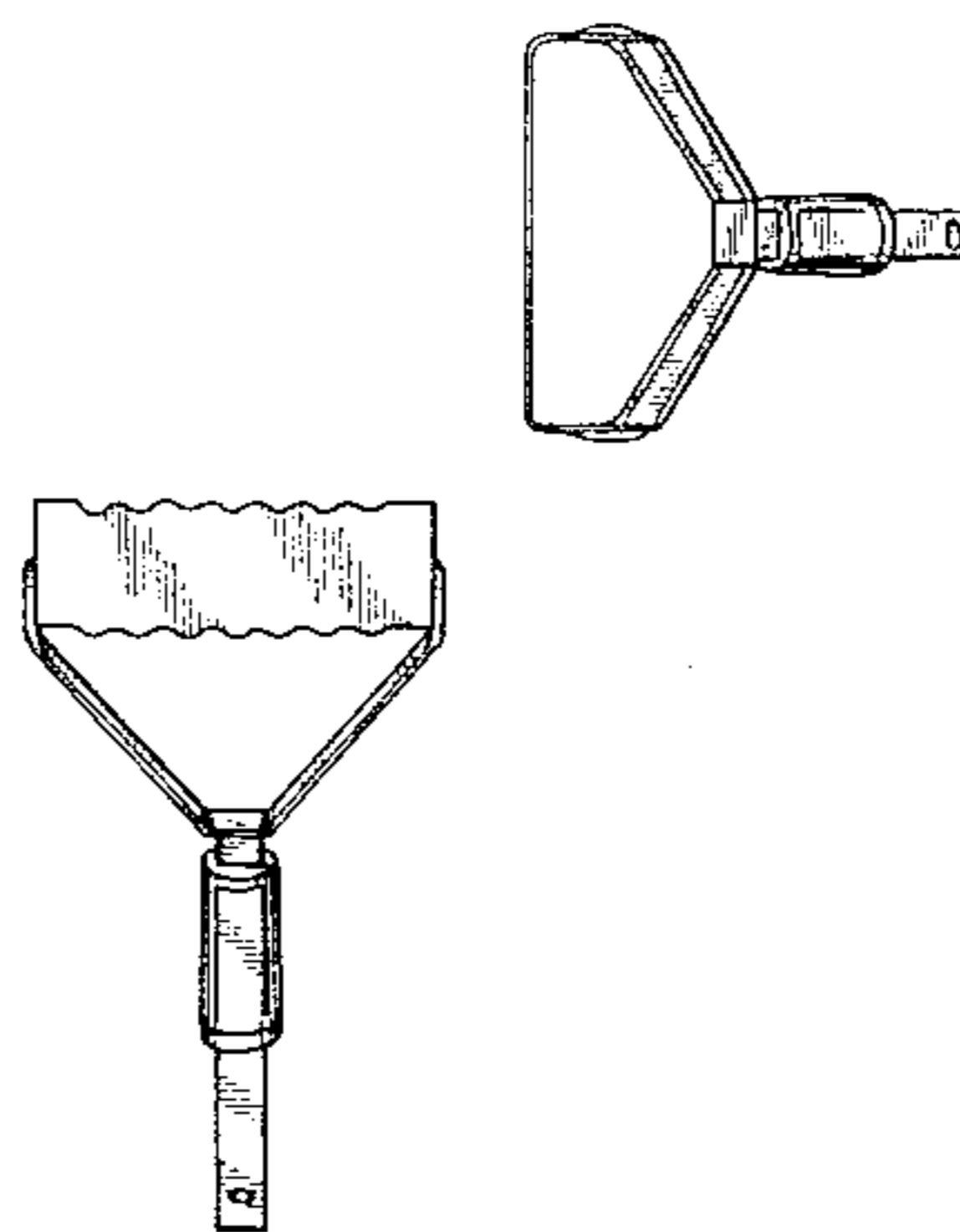


FIG. 1.

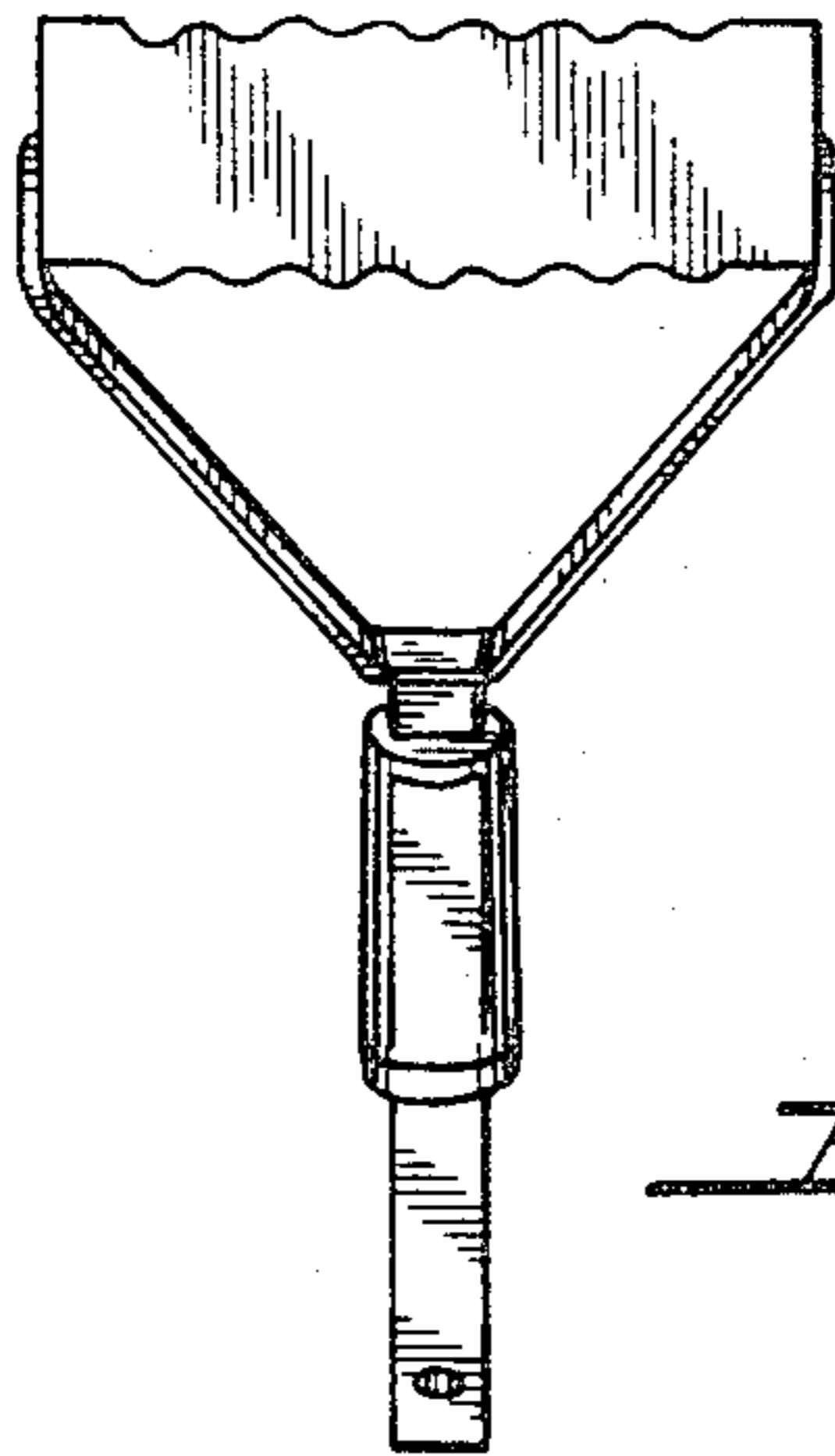
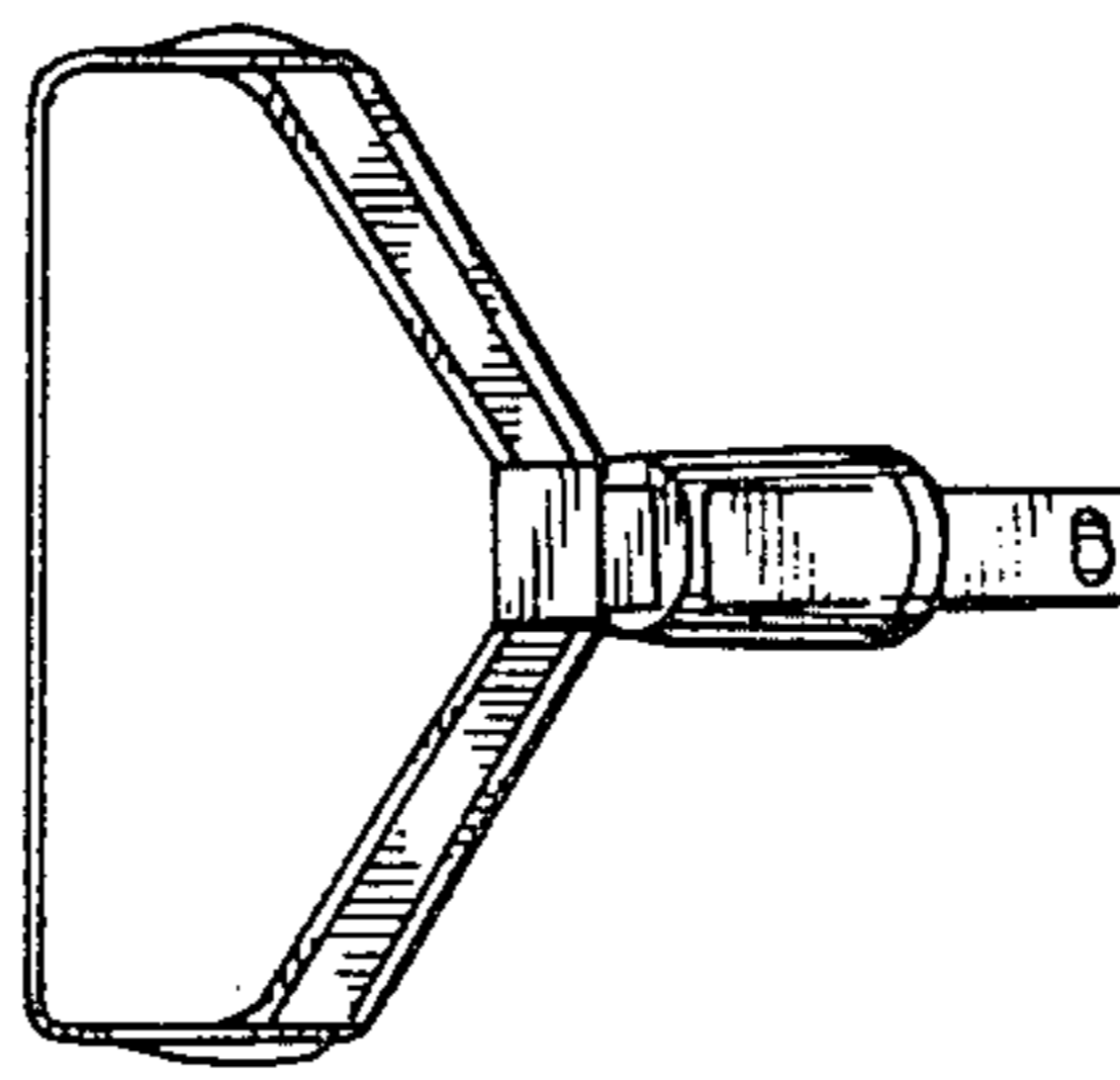


FIG. 5.

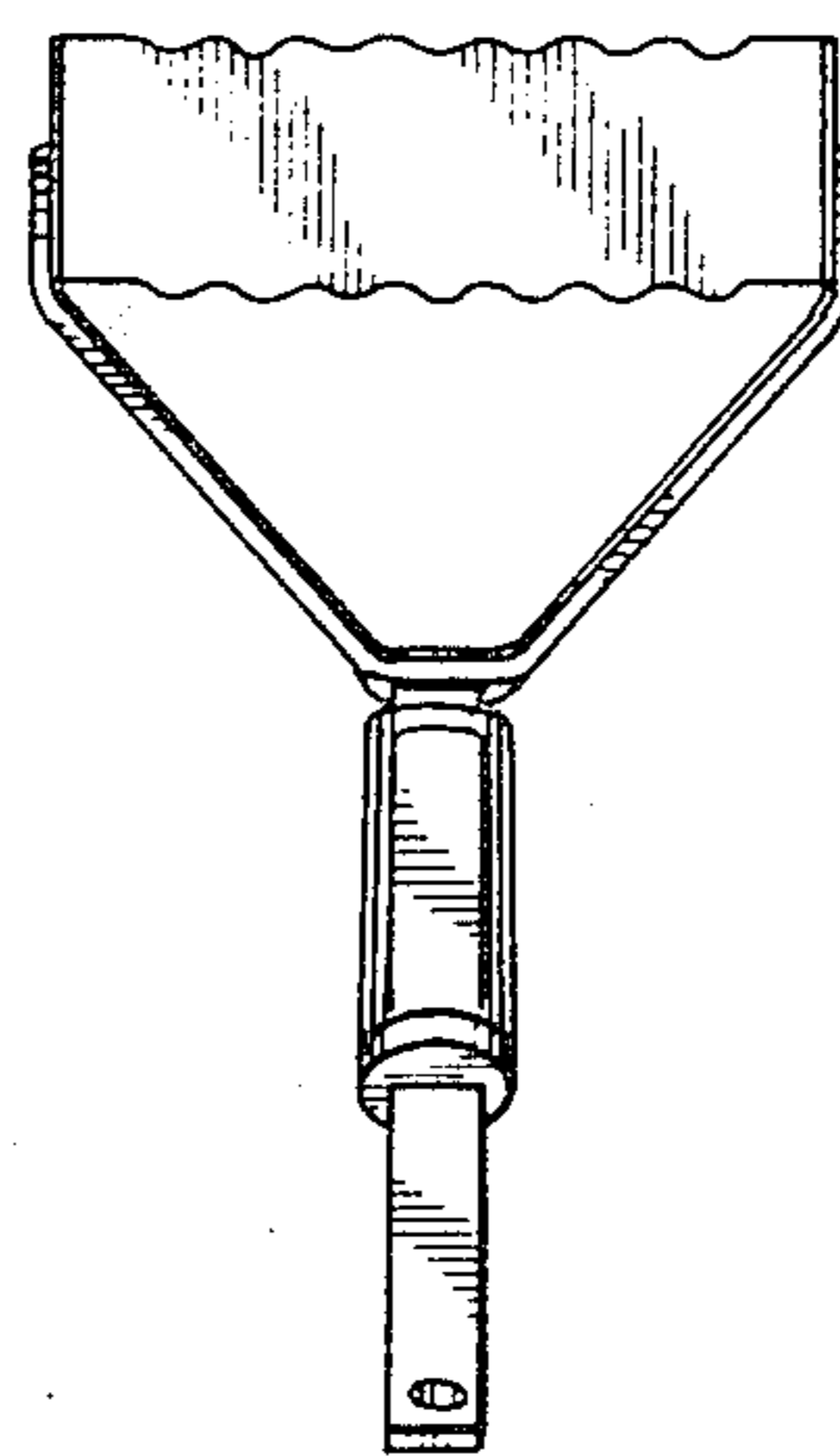
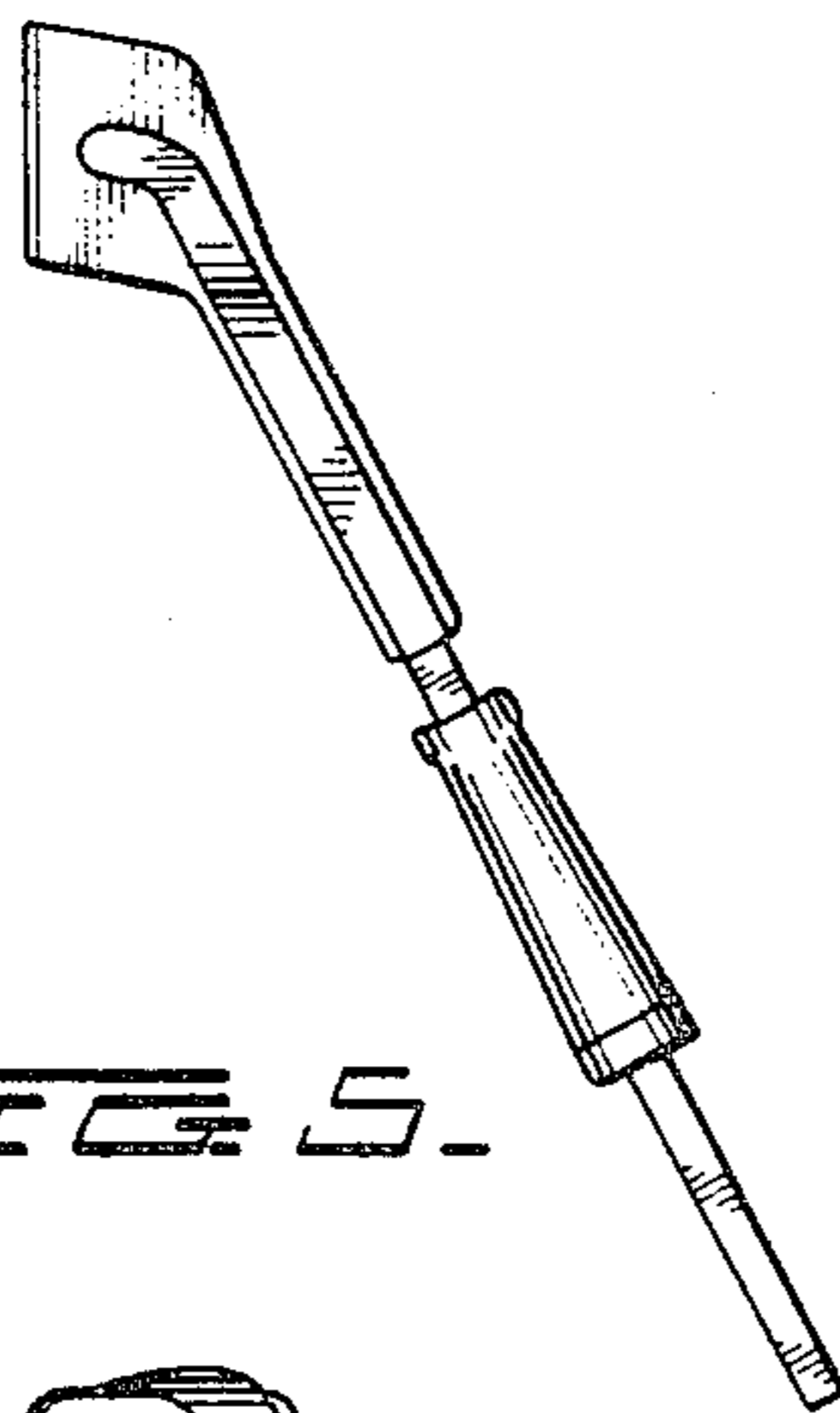


FIG. 3.

FIG. 4.

FIG. 2.

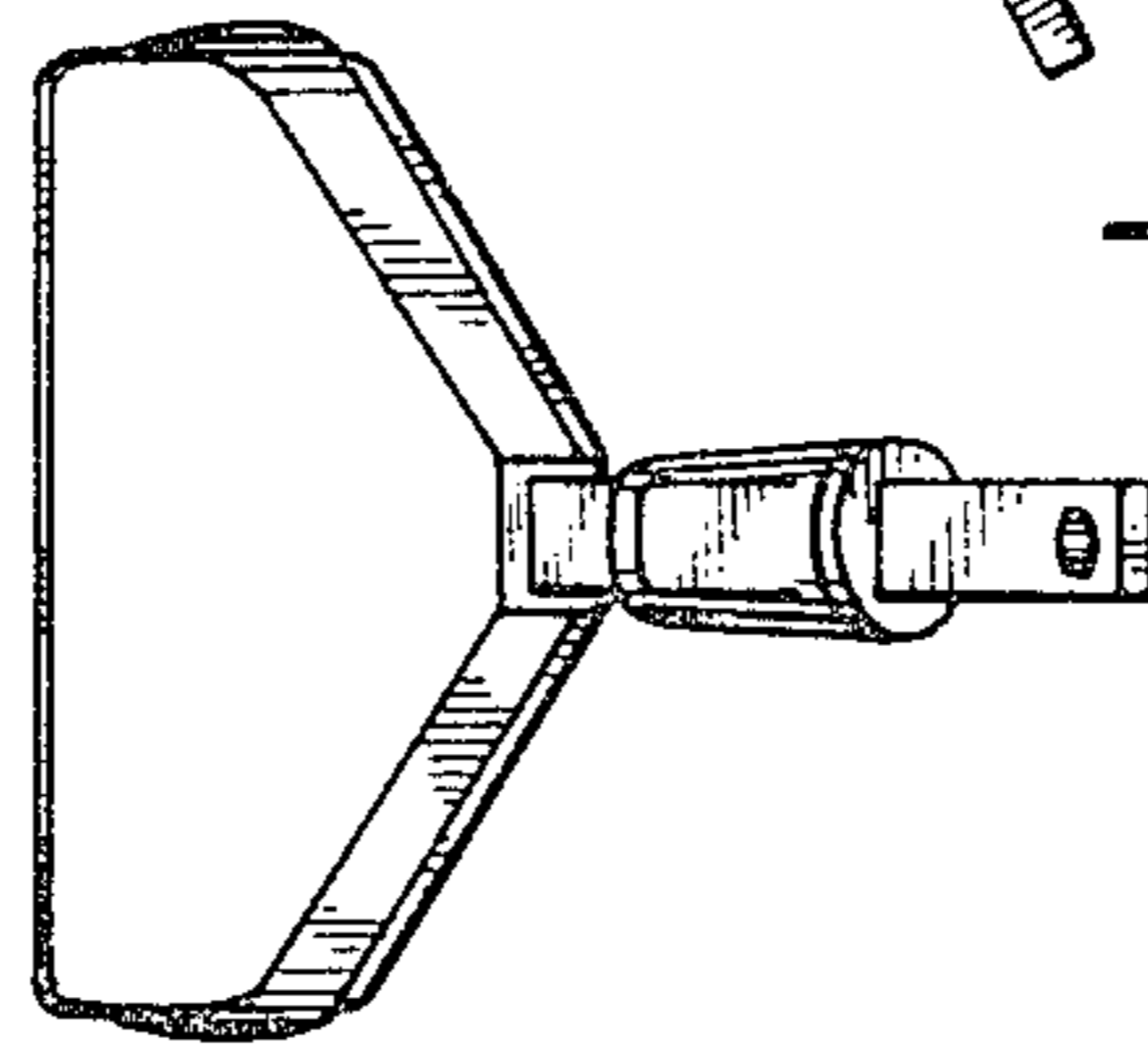


FIG. 6.

