

[54] DISPLAY TABLE FOR VIDEO GAME ACCESSORIES

[76] Inventor: Domenic Ameduri, 235 Argyle Ave., Youngstown, Ohio 44512

[\*\*] Term: 14 Years

[21] Appl. No.: 373,674

[22] Filed: Apr. 30, 1982

[52] U.S. Cl. .... D6/470; D6/407

[58] Field of Search ..... D6/167, 168, 172, 173, D6/175, 179, 188, 189; D21/14, 121

[56] References Cited

U.S. PATENT DOCUMENTS

D. 59,871 11/1921 Rice ..... D6/172

D. 133,435 8/1942 Gunder ..... D6/168  
D. 139,870 1/1945 McDonald ..... D6/175  
D. 218,832 9/1970 Woods ..... D6/175  
D. 265,660 8/1982 Jackson ..... D21/14

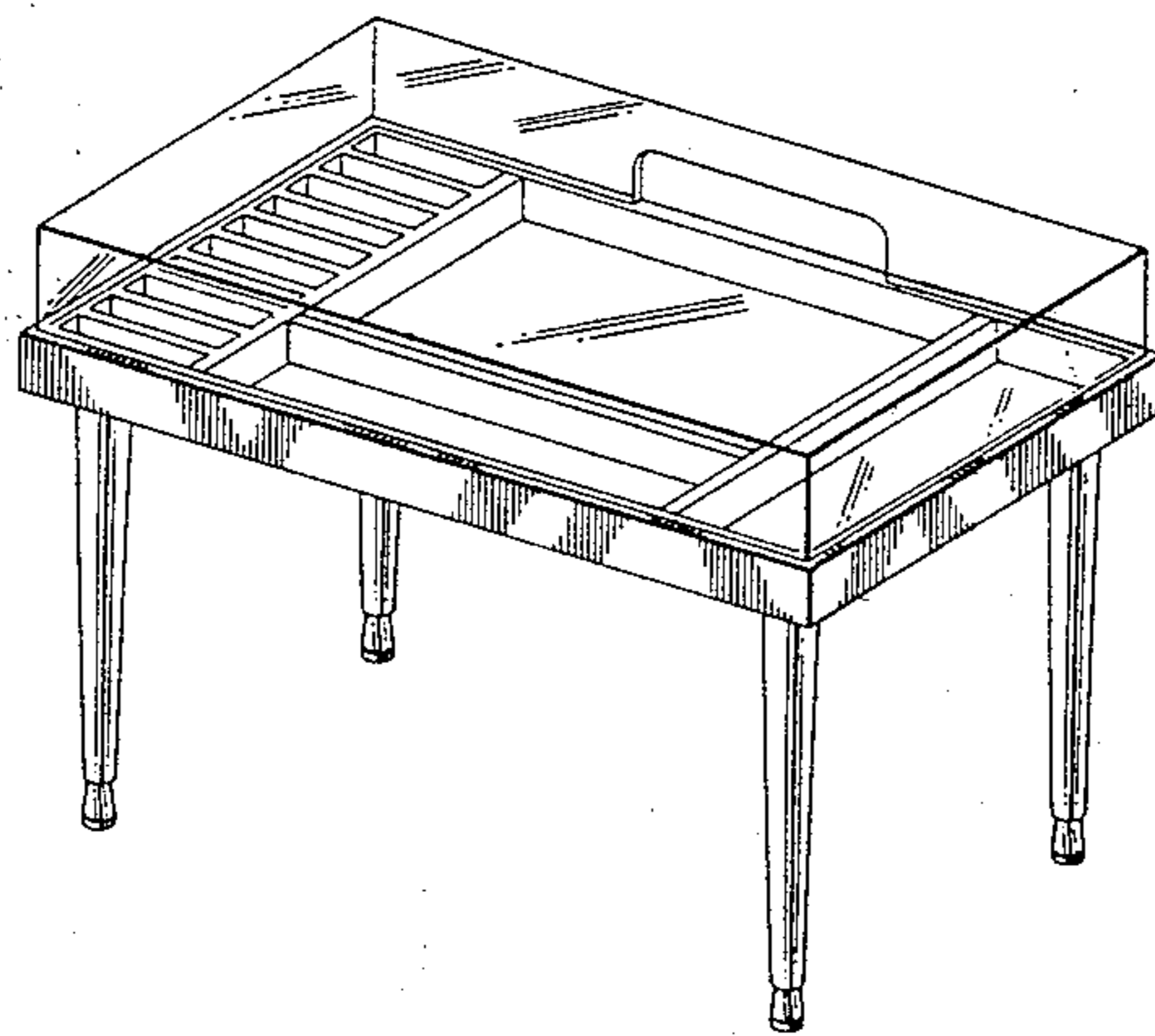
Primary Examiner—Bernard Ansher  
Assistant Examiner—Carmen H. Vales  
Attorney, Agent, or Firm—Harpman & Harpman

[57] CLAIM

The ornamental design for a display table for video game accessories, as shown and described.

DESCRIPTION

FIG. 1 is a perspective view of a display table for video game accessories showing my new design; FIG. 2 is a front elevational view thereof; FIG. 3 is an end elevational view thereof.



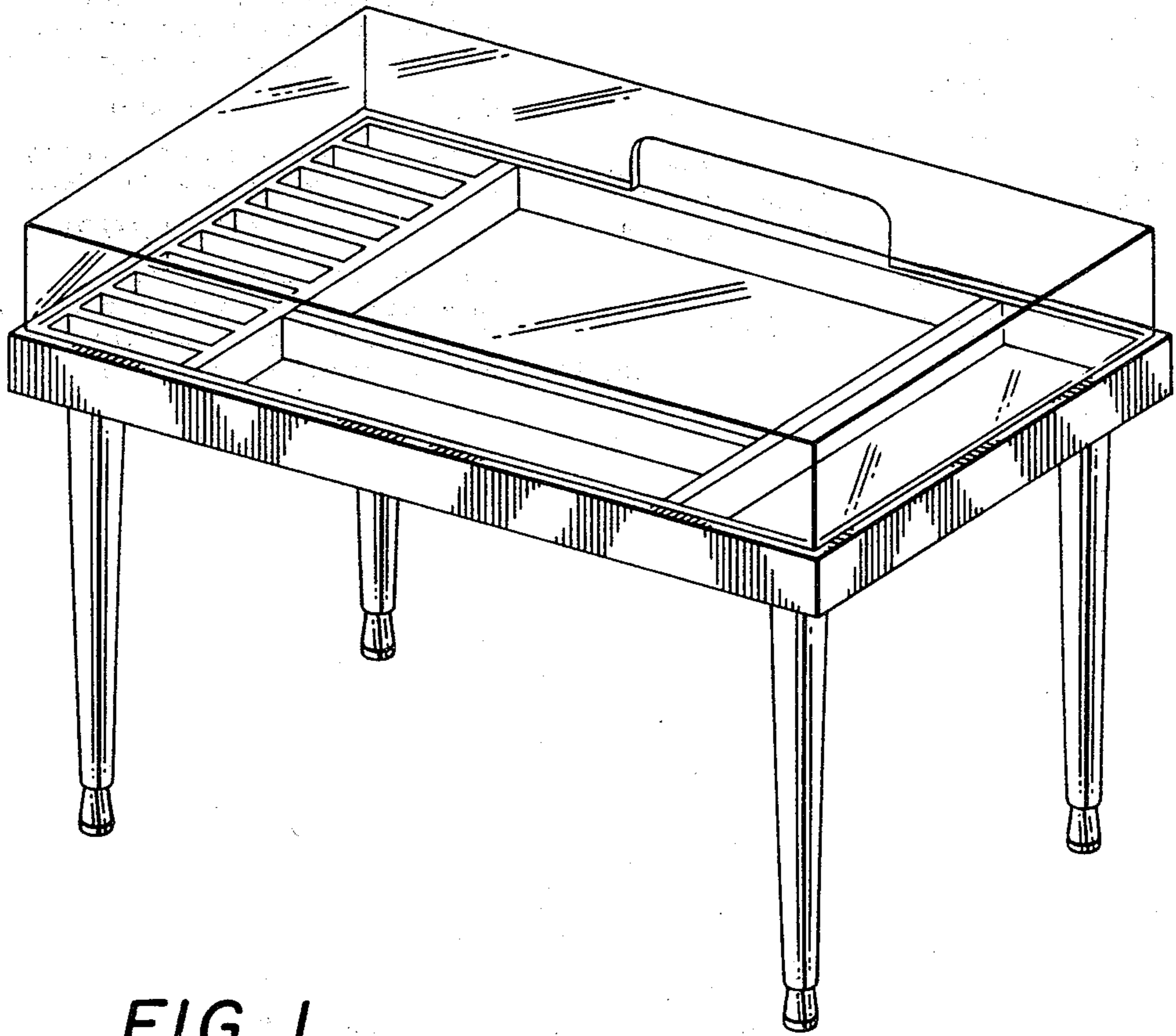


FIG. 1

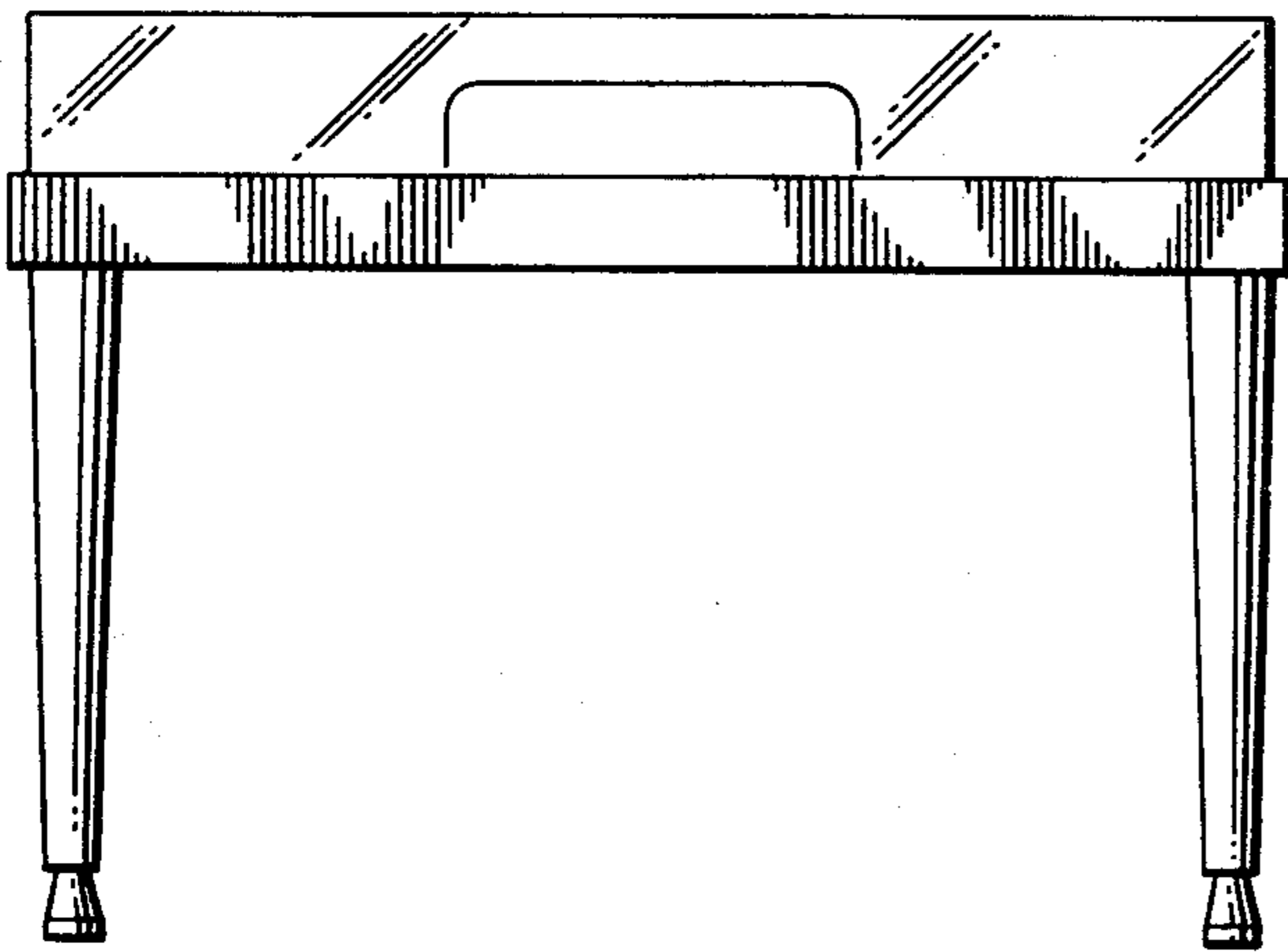


FIG. 2

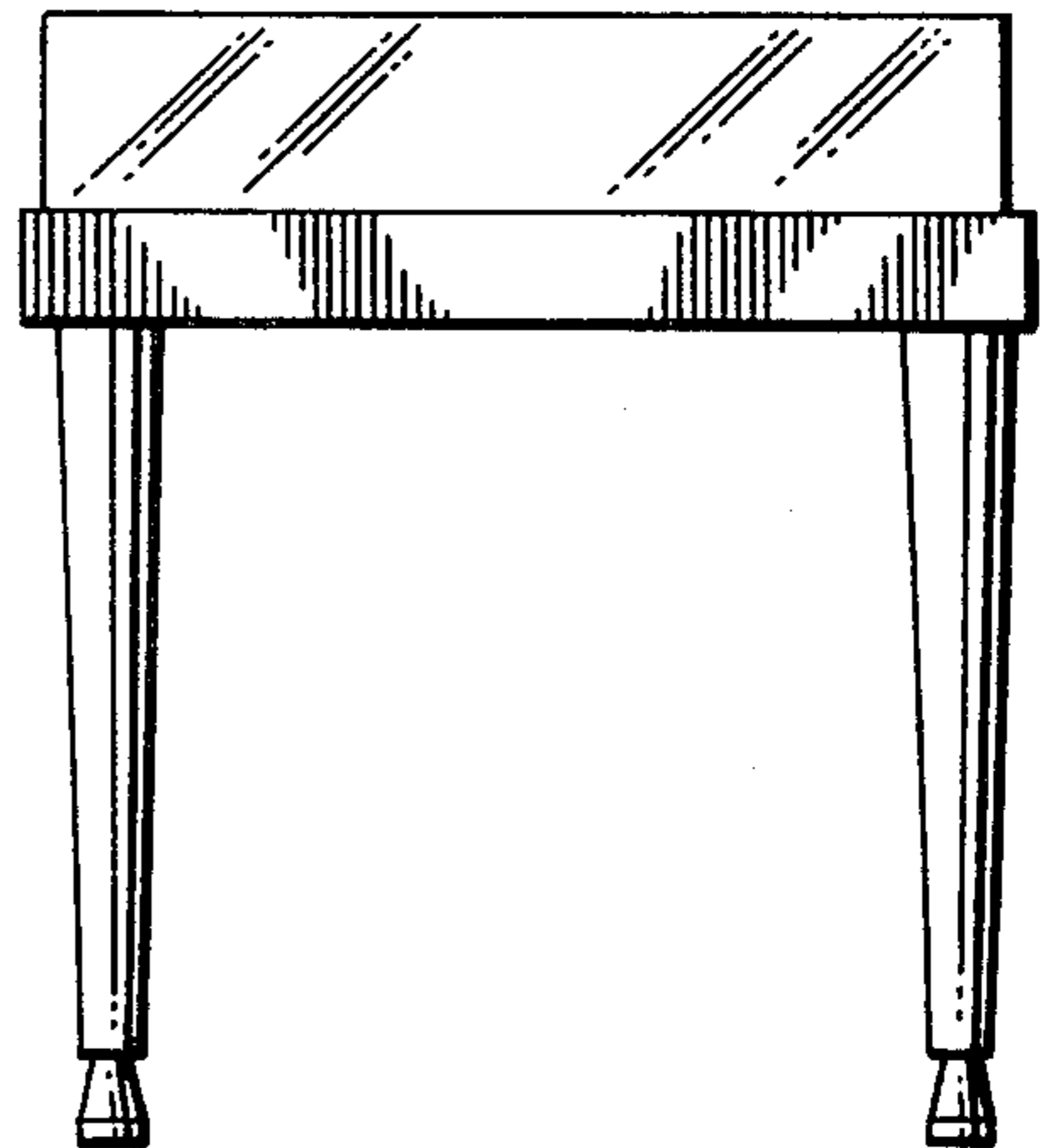


FIG. 3