

[54] PLATE HOLDER

[76] Inventor: Diane J. L. Kemper, 31870 Kingwood La., Apt. 22, Farmington, Mich. 48018

[**] Term: 14 Years

[21] Appl. No.: 330,397

[22] Filed: Dec. 14, 1981

[52] U.S. Cl. D6/466; D/312; D8/355; D8/373; D8/380

[58] Field of Search D6/114, 142, 85; D8/373, 355, 380; 248/448, 488, 452, 490, 491, 508; 211/41, 87, 89

[56] References Cited

U.S. PATENT DOCUMENTS

- D. 259,765 7/1981 Kemper D8/373
- D. 266,461 10/1982 Helzer D6/142

- 1,762,675 6/1930 Weiner 248/448
- 2,365,108 12/1944 Richards 248/490
- 2,810,226 10/1957 Horwitt 248/490
- 3,282,437 11/1966 Hansen D6/142

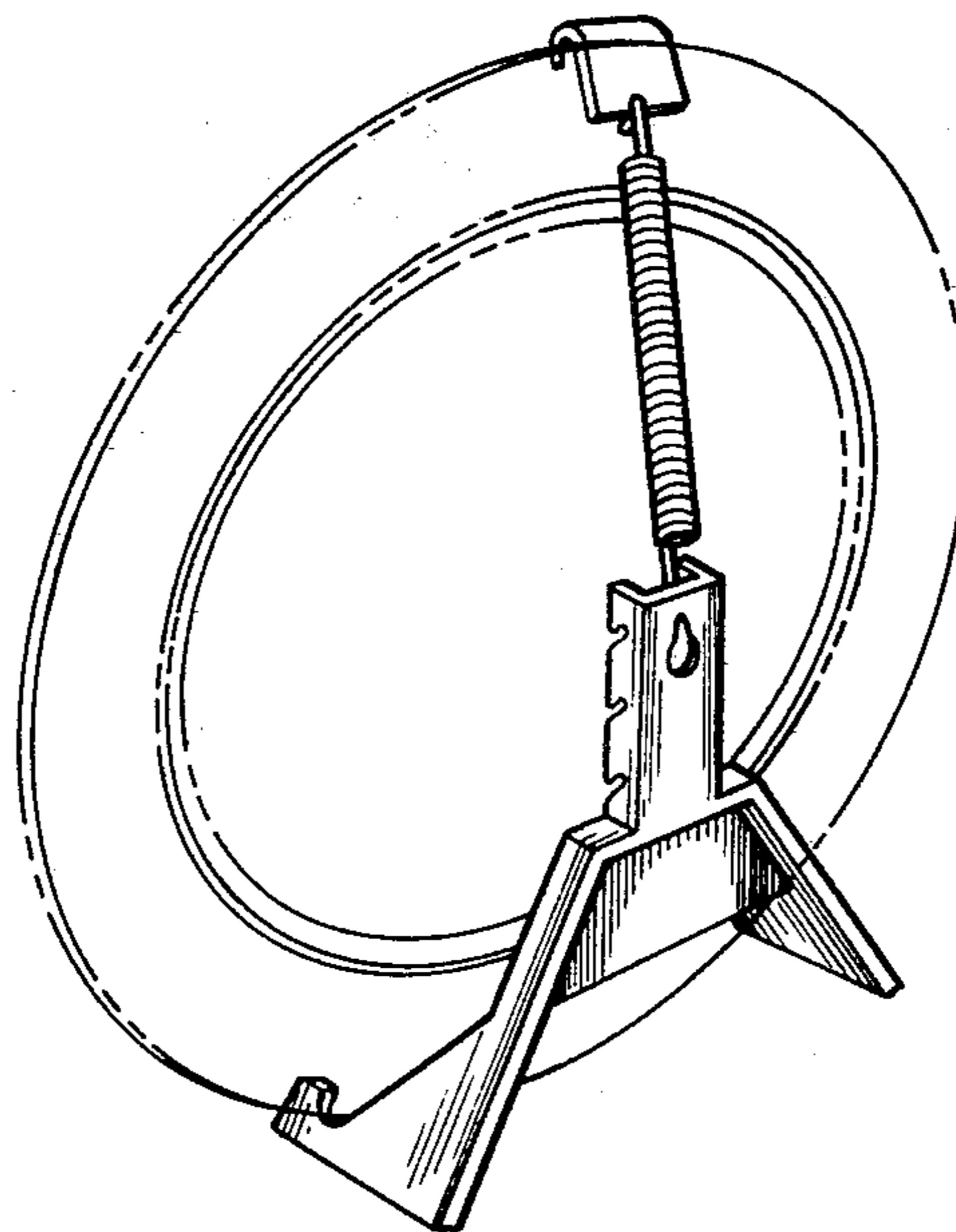
Primary Examiner—B. J. Bullock
Attorney, Agent, or Firm—Gifford, VanOphem, Sheridan, Sprinkle & Nabozny

[57] CLAIM

The ornamental design for a plate holder, substantially as shown and described.

DESCRIPTION

FIG. 1 is a rear perspective view of a plate holder embodying my new design, the plate being shown in broken lines for illustrative purposes only;
 FIG. 2 is a front perspective view of the lower element shown separately for clarity of illustration;
 FIG. 3 is a side elevational view taken from the left of FIG. 2;
 FIG. 4 is a front elevational view thereof.



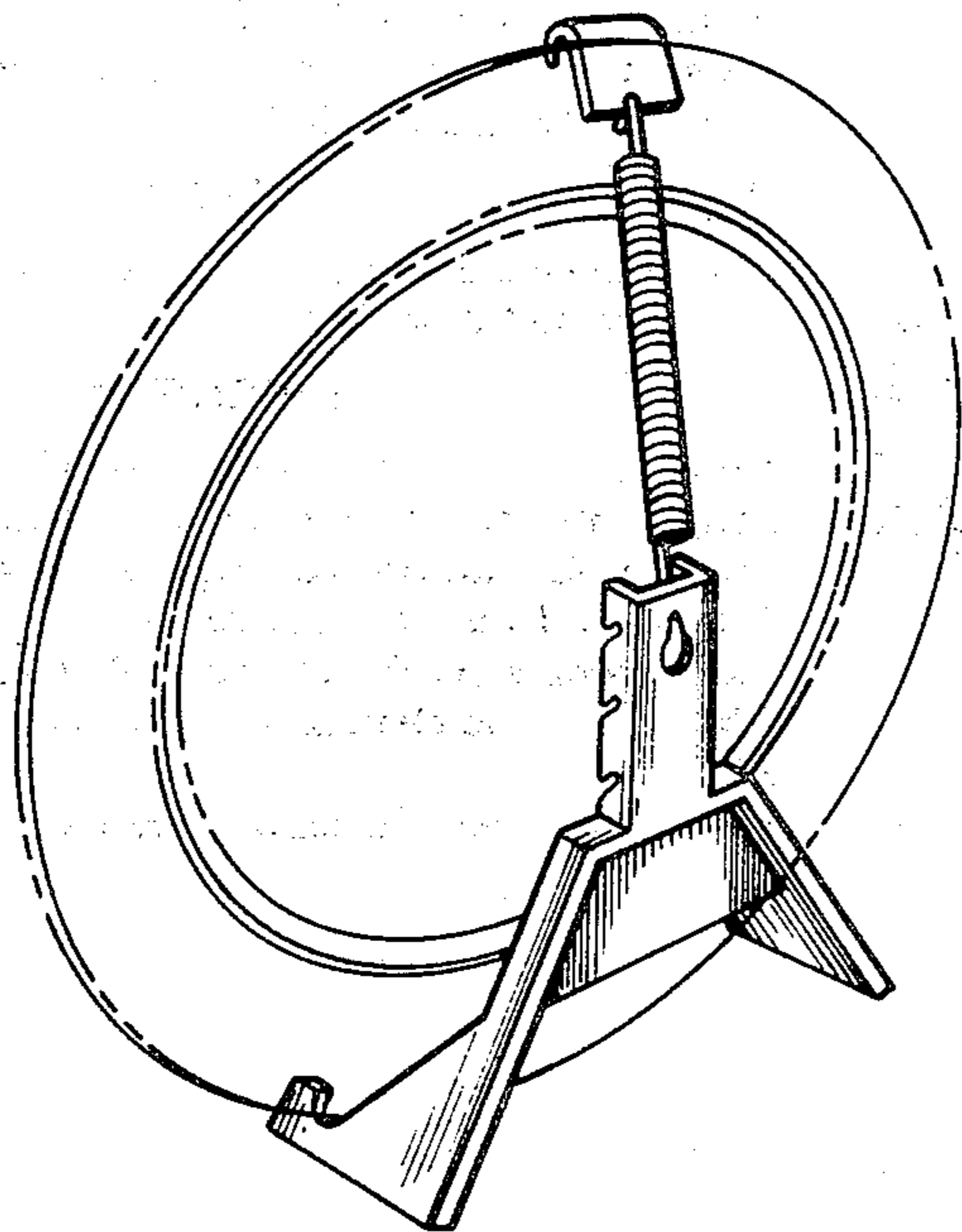


Fig-1

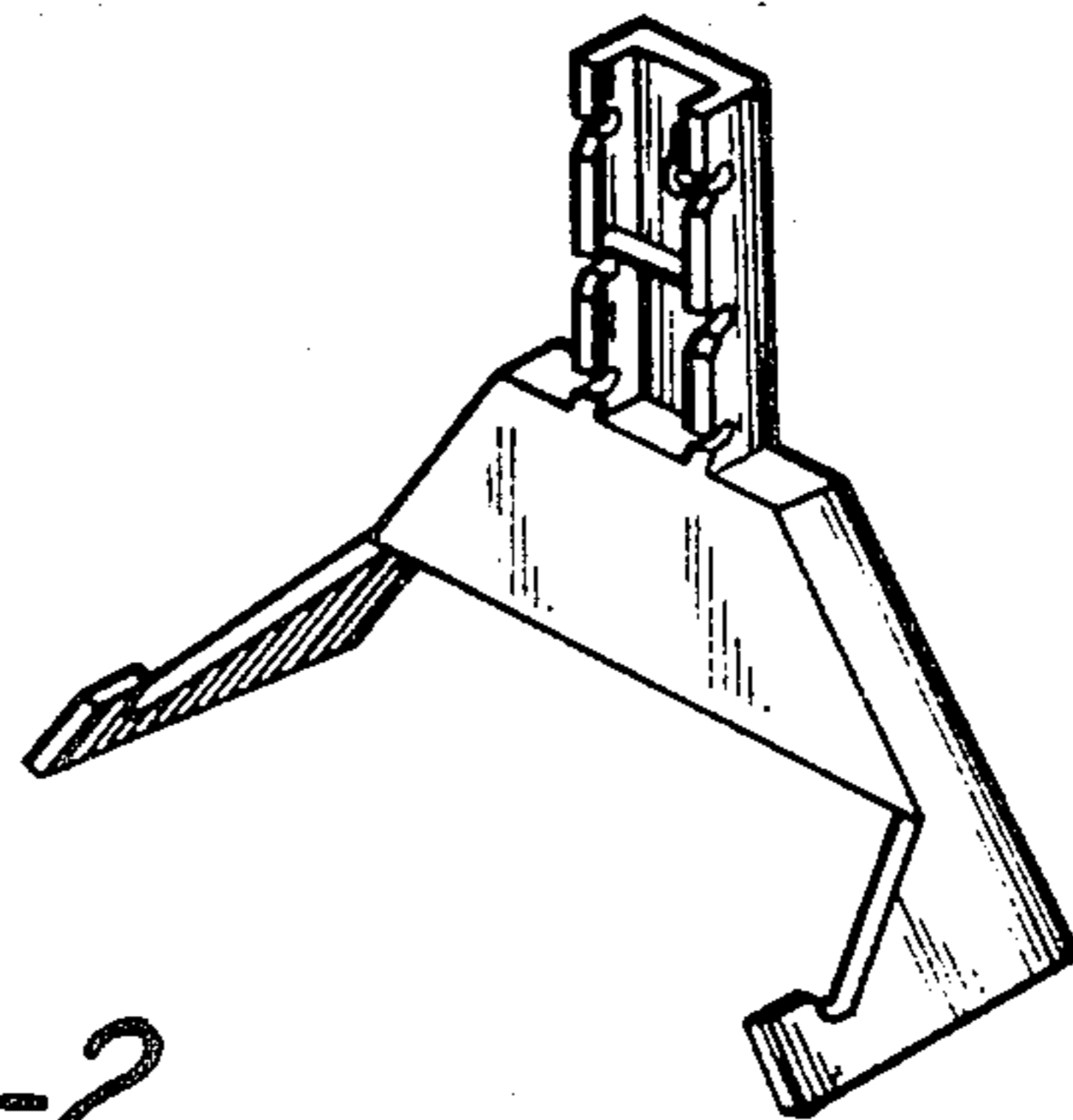


Fig-2

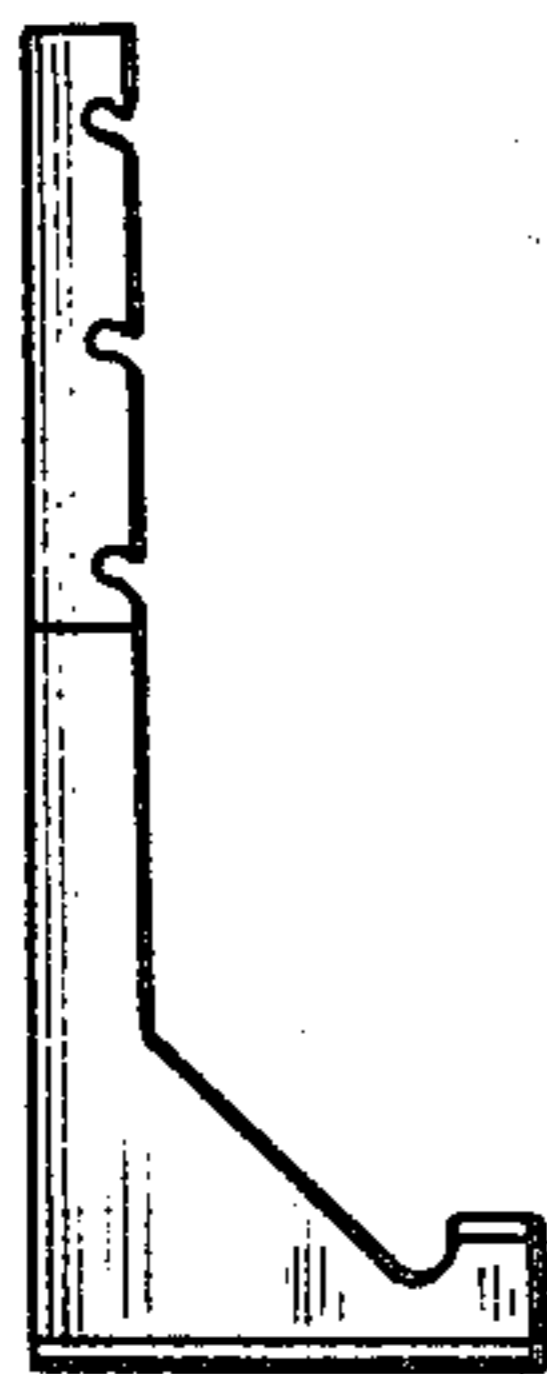


Fig-3

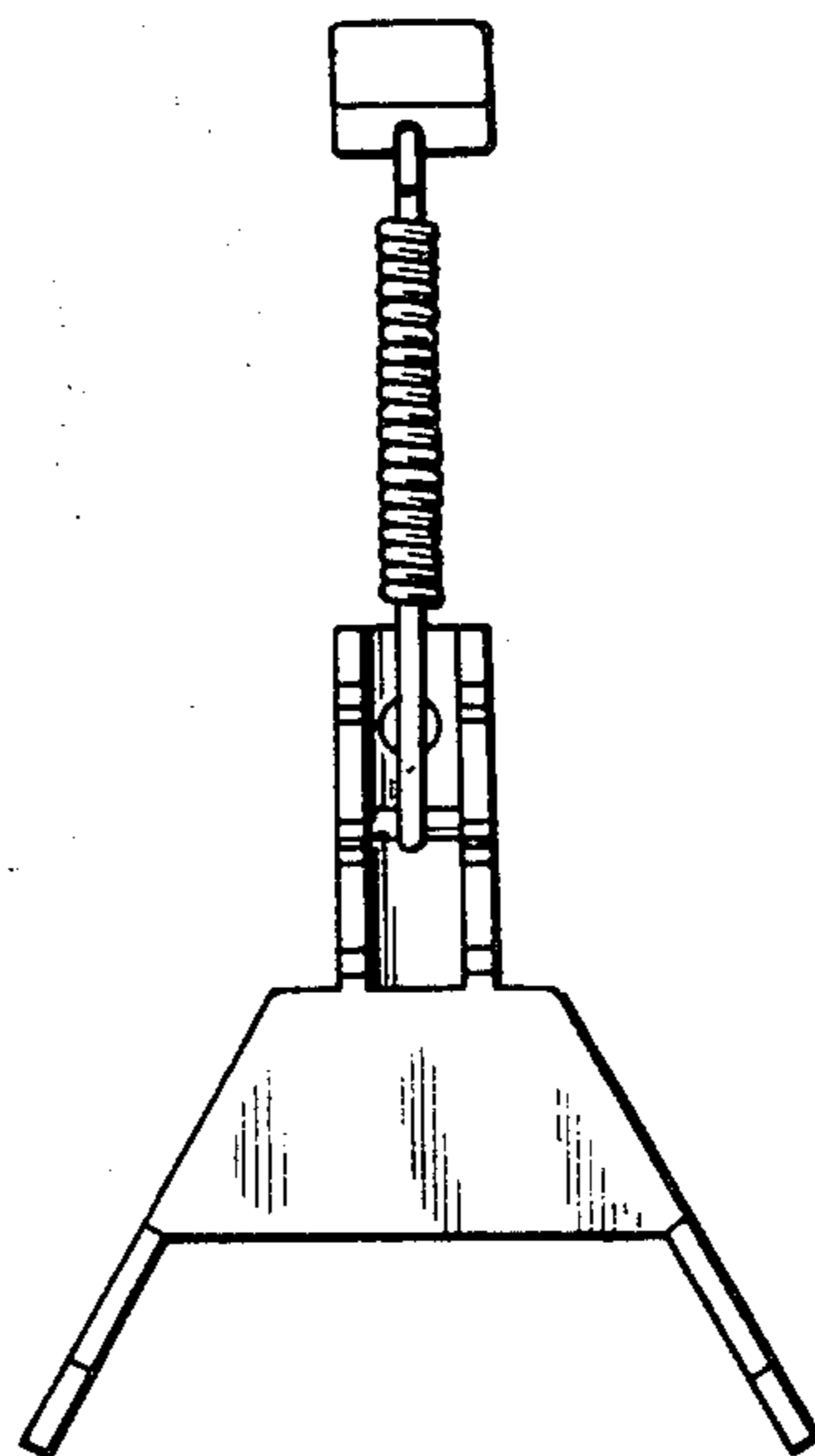


Fig-4