

United States Patent [19]

Aronowitz et al.

[11] Patent Number: **Des. 276,956**

[45] Date of Patent: **** Jan. 1, 1985**

[54] CHAIR

[75] Inventors: **Robert J. Aronowitz, New York;**
Bernard D. Katzanek, Brooklyn, both
of N.Y.

[73] Assignee: **Samsonite Corporation, Denver,**
Colo.

[*] Notice: The portion of the term of this patent
subsequent to Jul. 31, 1998 has been
disclaimed.

[**] Term: **14 Years**

[21] Appl. No.: **382,799**

[22] Filed: **May 27, 1982**

[52] U.S. Cl. **D6/366; D6/379;**
D6/380

[58] Field of Search **D6/20, 26, 30, 35, 47,**
D6/72, 78

[56] **References Cited**

U.S. PATENT DOCUMENTS

D. 228,536 10/1973 Sottsass, Jr. D6/31 X
D. 247,463 3/1978 Müller-Deisig D6/31
D. 252,781 9/1979 Ball D6/31
D. 267,838 2/1983 Buhk et al. D6/31
D. 267,989 2/1983 Buhk et al. D6/30

Primary Examiner—Bruce W. Dunkins

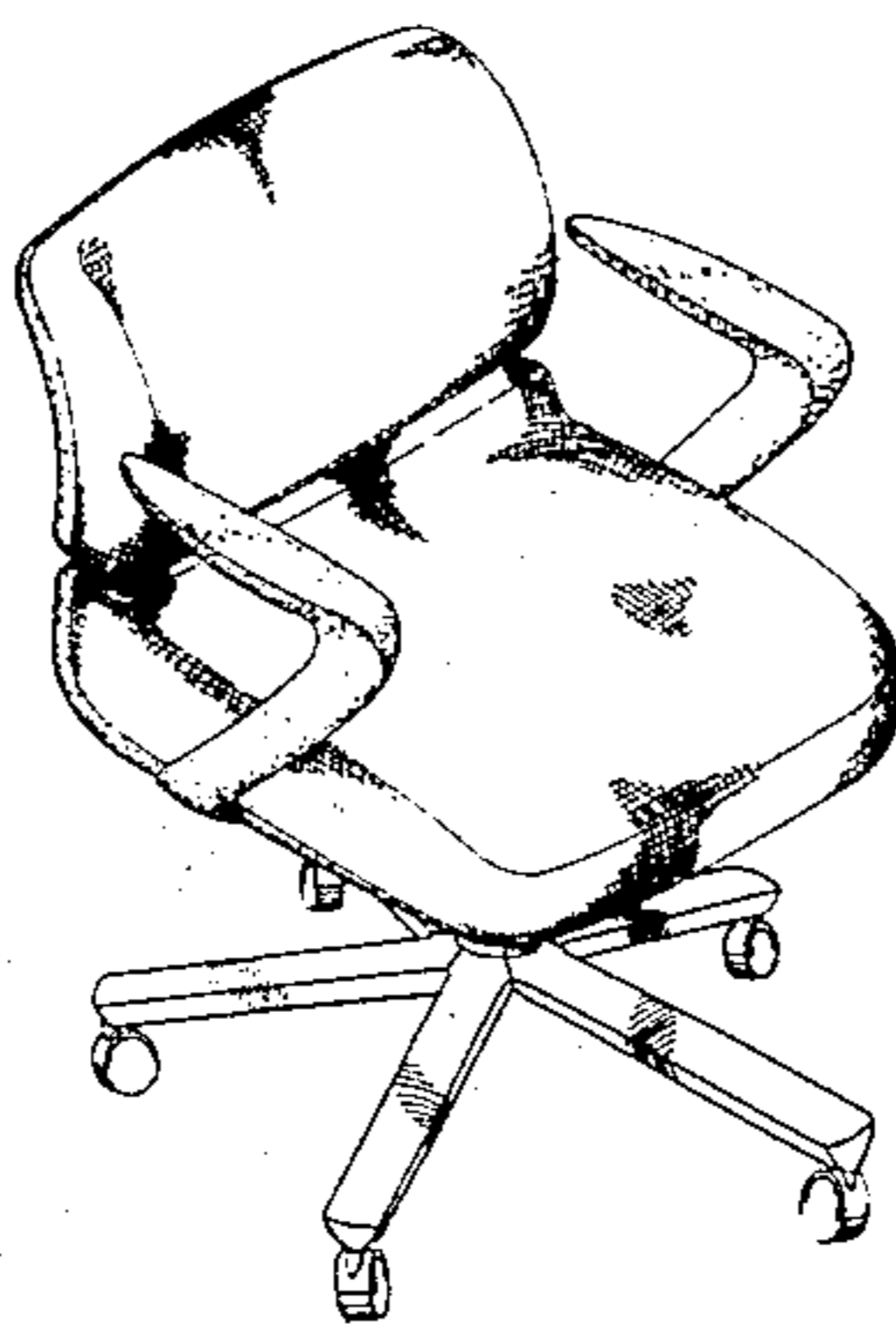
Attorney, Agent, or Firm—D. Michael Clayton

[57] **CLAIM**

The ornamental design for a chair, as shown and de-
scribed.

DESCRIPTION

FIG. 1 is a perspective view of a chair embodying our
new design;
FIG. 2 is a bottom plan view thereof;
FIG. 3 is a front elevation view thereof;
FIG. 4 is a side elevation view thereof, showing the side
opposite that shown in FIG. 1; and
FIG. 5 is a rear elevation view thereof.



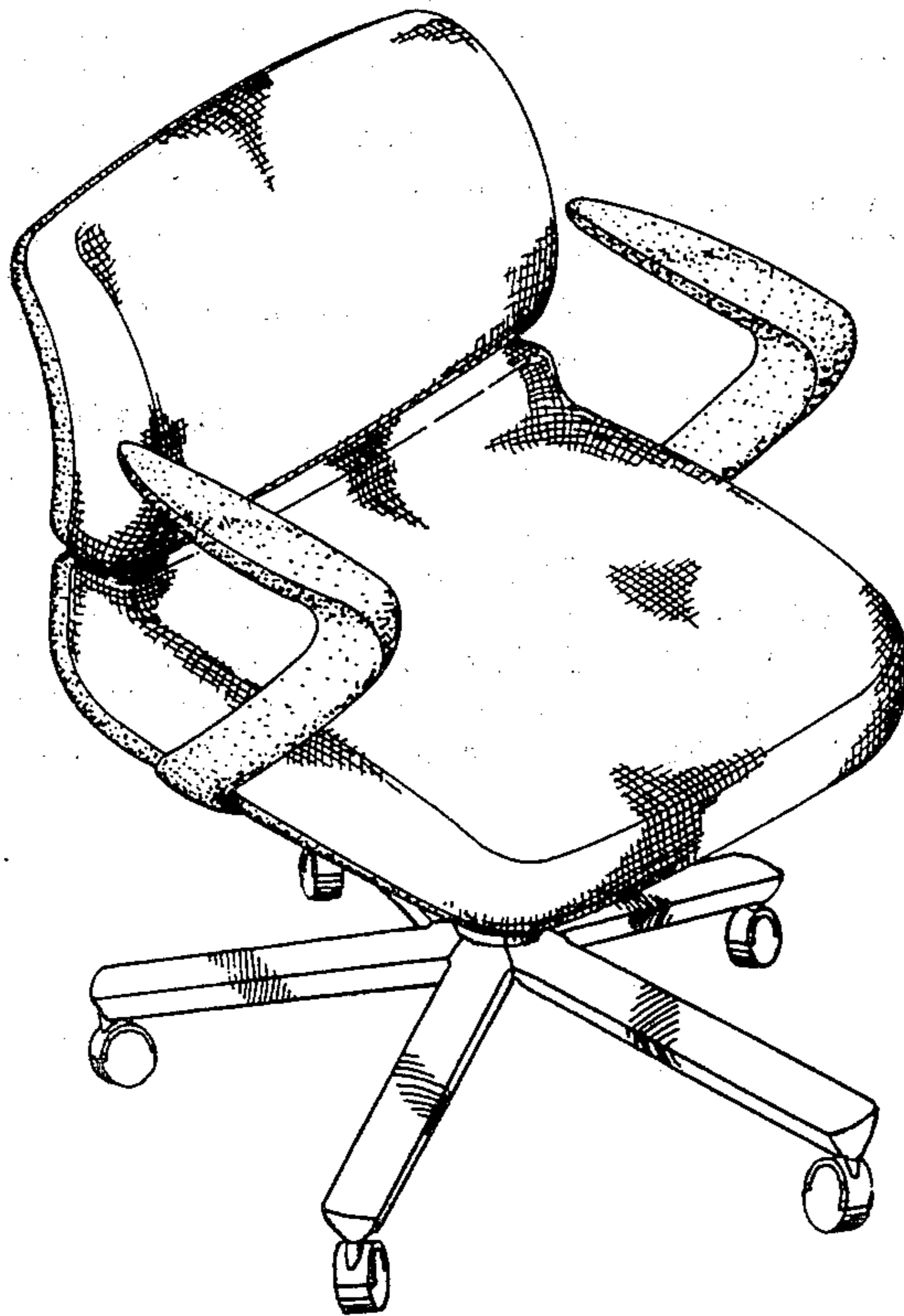


Fig. 1

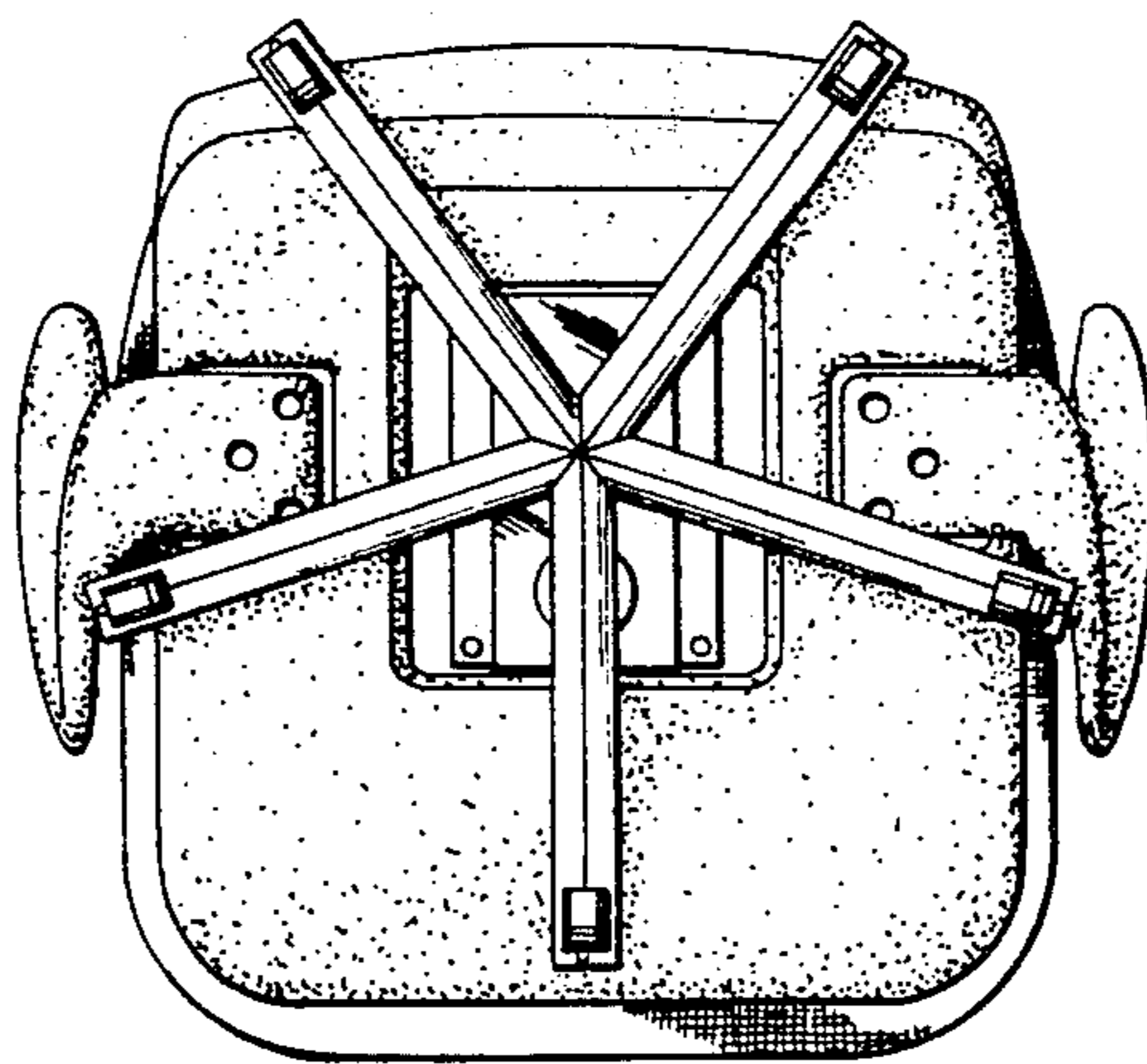


Fig. 2

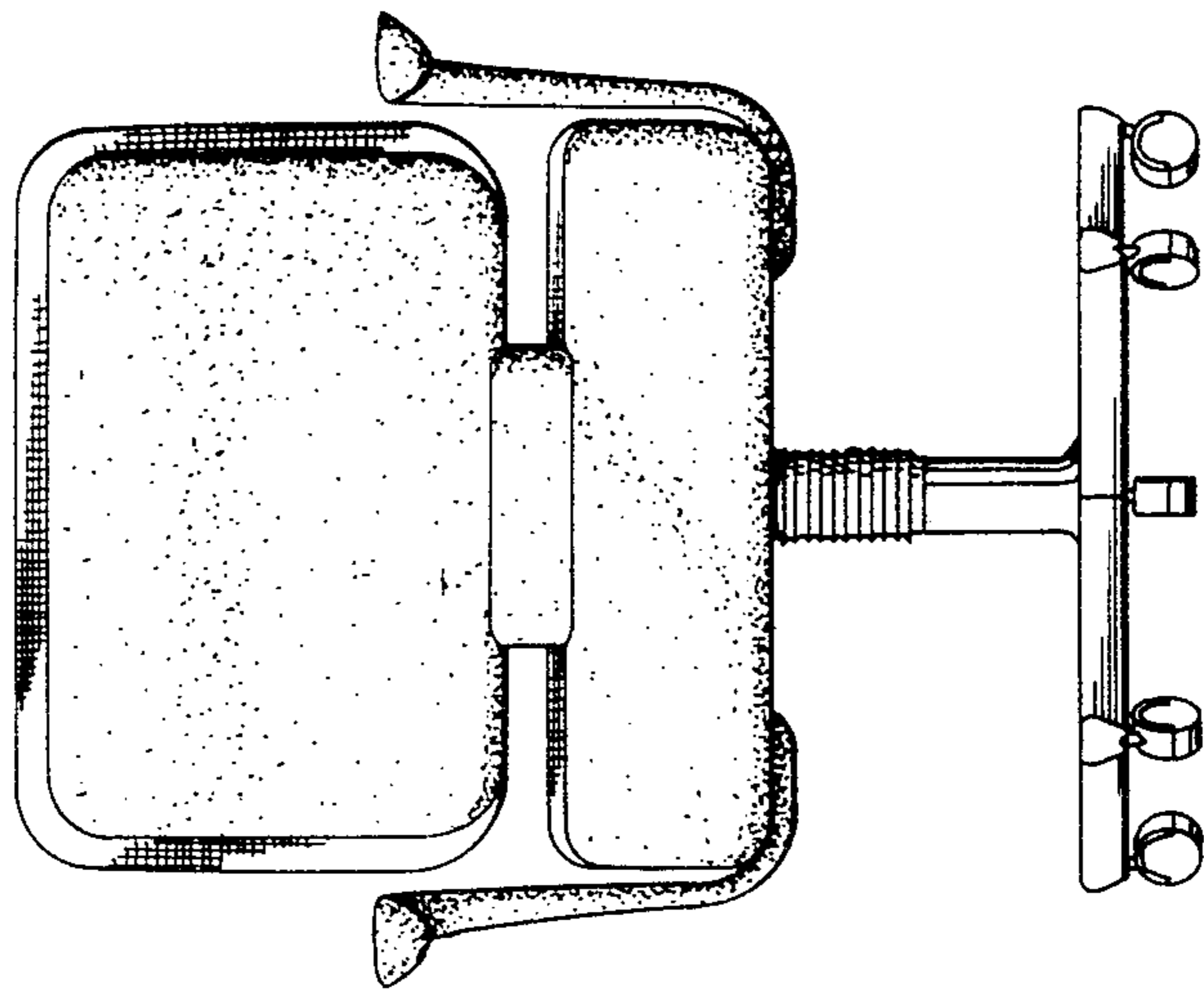


Fig. 3

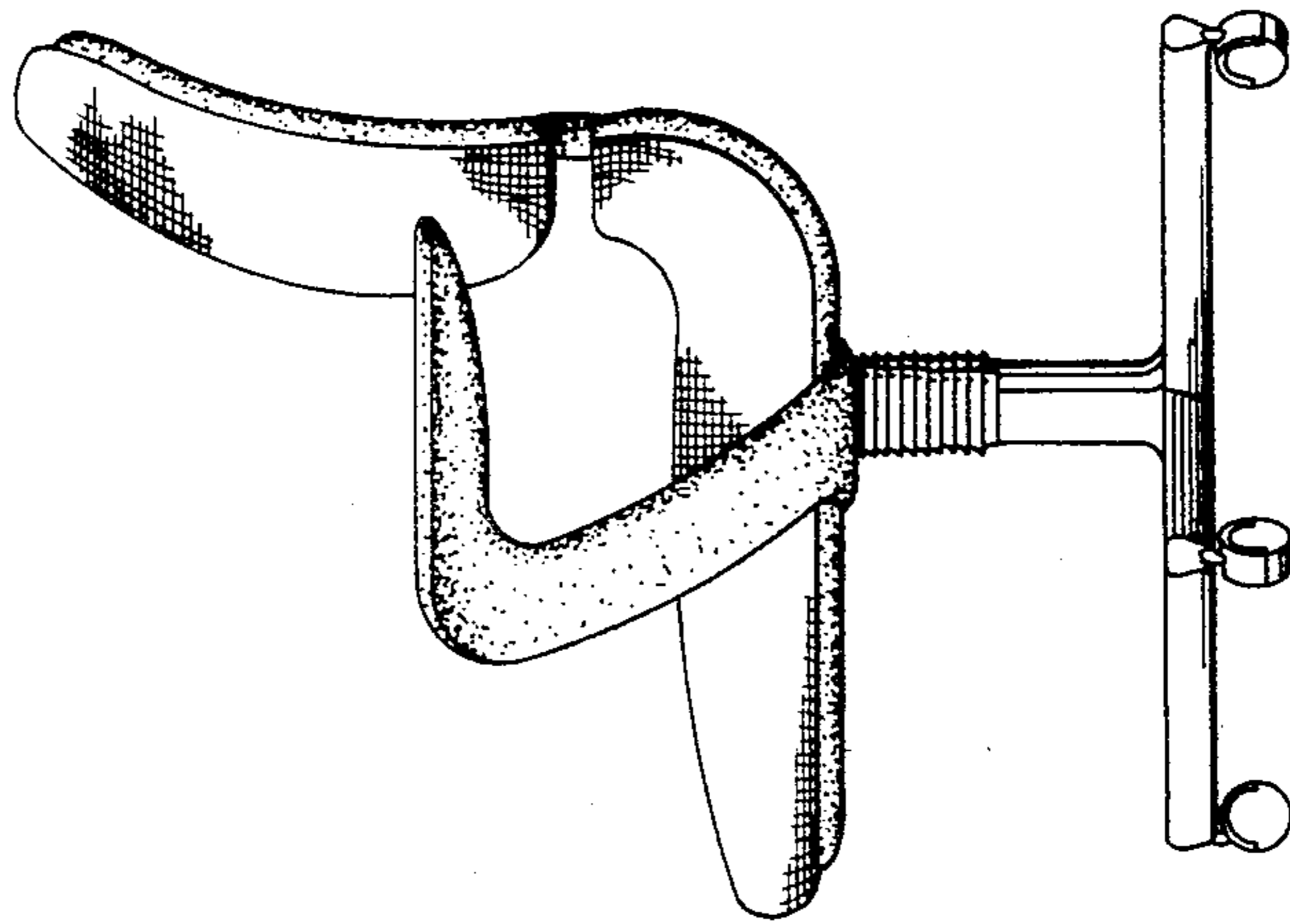


Fig. 4

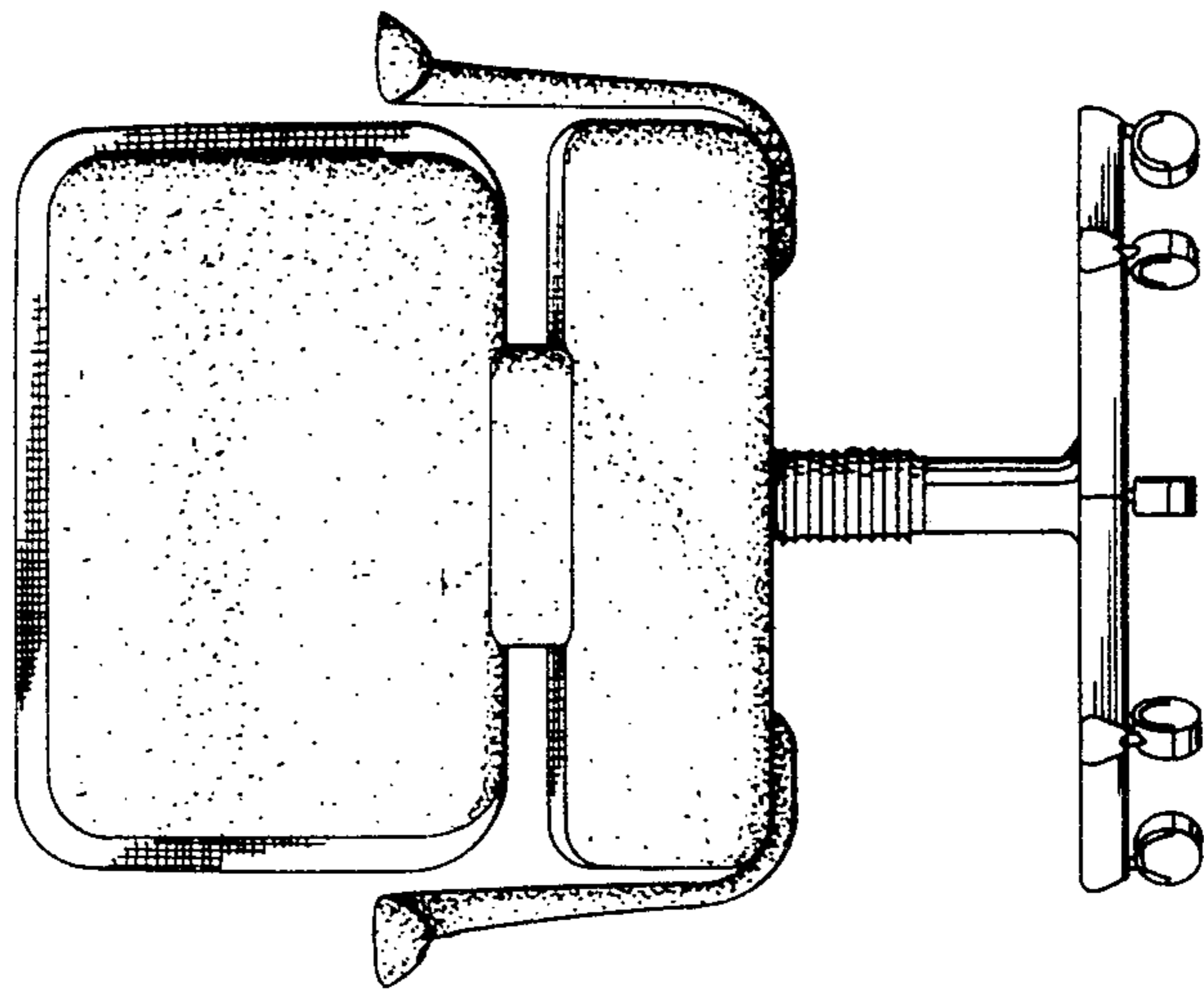


Fig. 5