

United States Patent [19]

Hanemaayer

[11] Patent Number: **Des. 276,955**

[45] Date of Patent: **** Jan. 1, 1985**

[54] **TABLE**

[75] Inventor: **Jacobus N. Hanemaayer, Kitchener, Canada**

[73] Assignee: **Hanmar Home Equipment Limited, Ontario, Canada**

[**] Term: **14 Years**

[21] Appl. No.: **415,549**

[22] Filed: **Sep. 7, 1982**

[30] **Foreign Application Priority Data**

Jun. 29, 1982 [CA] Canada 29-06-82-2

[52] U.S. Cl. **D6/430; D6/483**

[58] Field of Search **D6/20, 23, 24, 27, 42, D6/45, 146, 147, 149, 175, 177, 178**

[56] **References Cited**

U.S. PATENT DOCUMENTS

D. 72,891 6/1927 Crane D6/178
D. 124,657 1/1941 Teague et al. D6/178

D. 233,277 10/1974 Beller D6/177 X
D. 256,296 8/1980 Beall D6/178 X
2,603,440 7/1952 Le Vesconte et al. D6/27 X
3,574,395 4/1971 Pongracz D6/45 X
3,741,852 6/1973 Keener D6/177 X

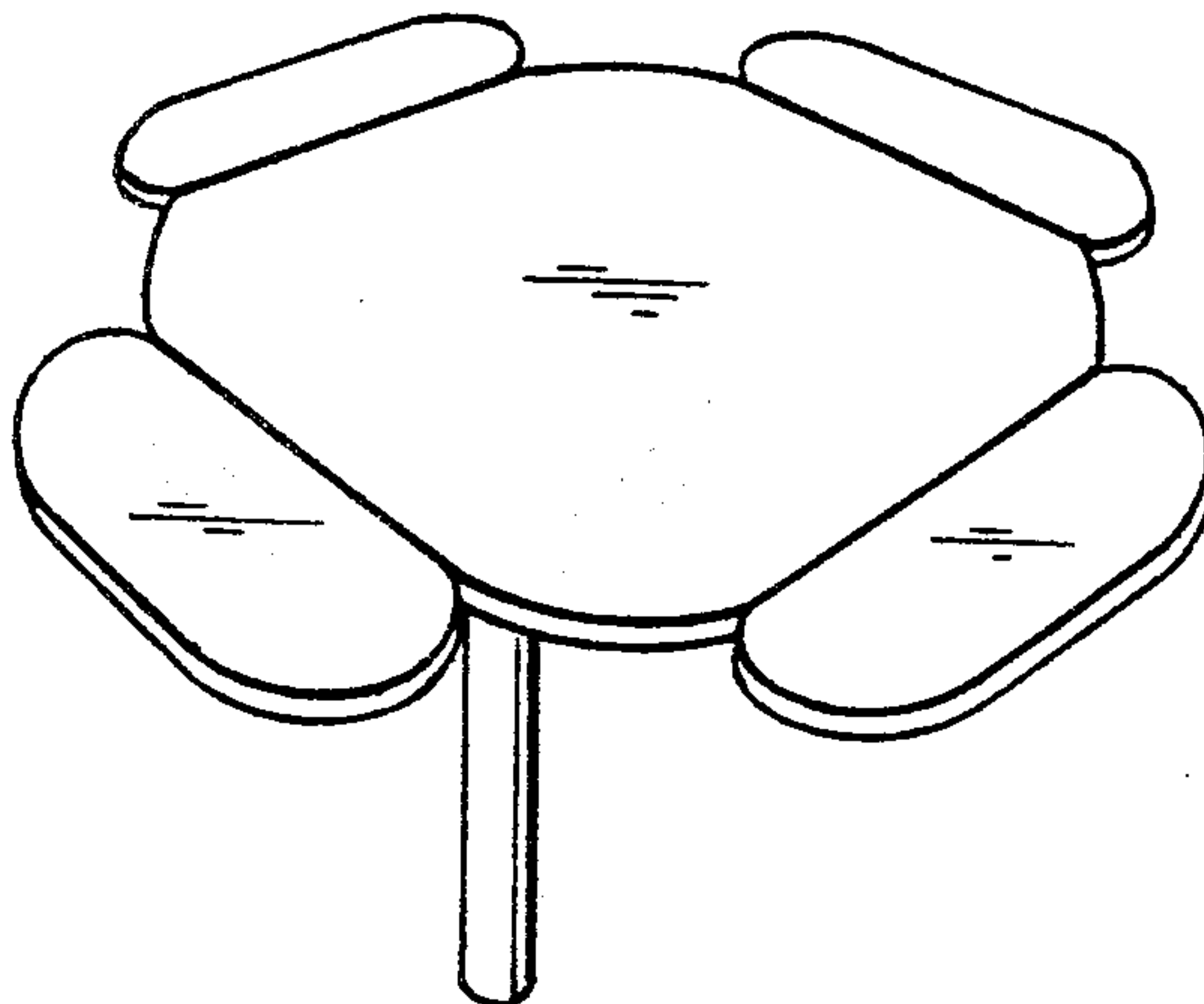
Primary Examiner—Bruce W. Dunkins
Attorney, Agent, or Firm—John J. Byrne; Edward E. Dyson; Bradford E. Kile

[57] **CLAIM**

The ornamental design for a table, as shown and described.

DESCRIPTION

FIG. 1 is a top plan view of a table showing my design; FIG. 2 is a perspective view thereof with the leaves in the fully open condition and coplanar with the main top part; FIG. 3 is a perspective view showing the leaves in the fully closed or folded condition; FIG. 4 is a side elevational view; and FIG. 5 is a bottom plan view thereof.



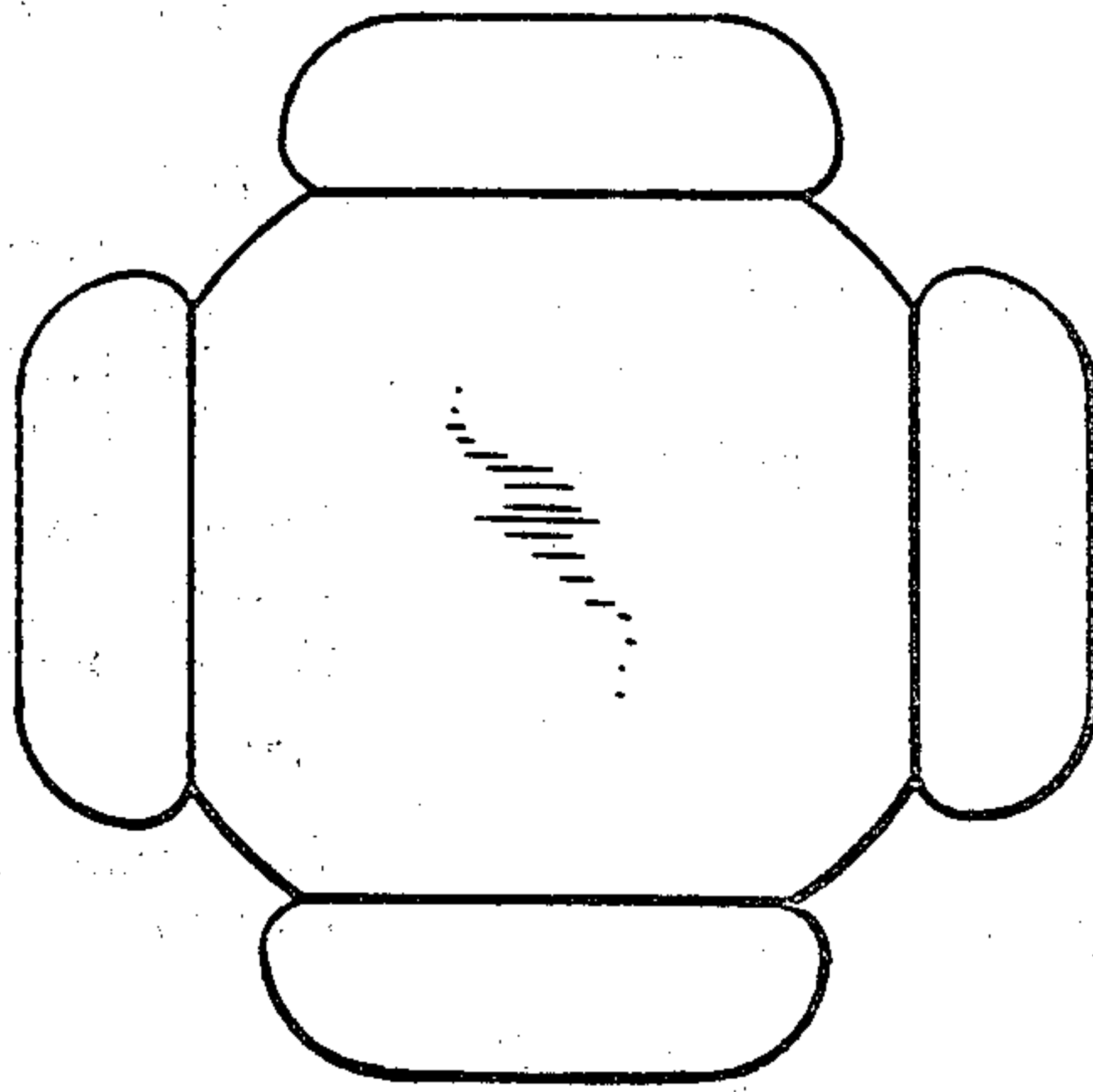


FIG. 1

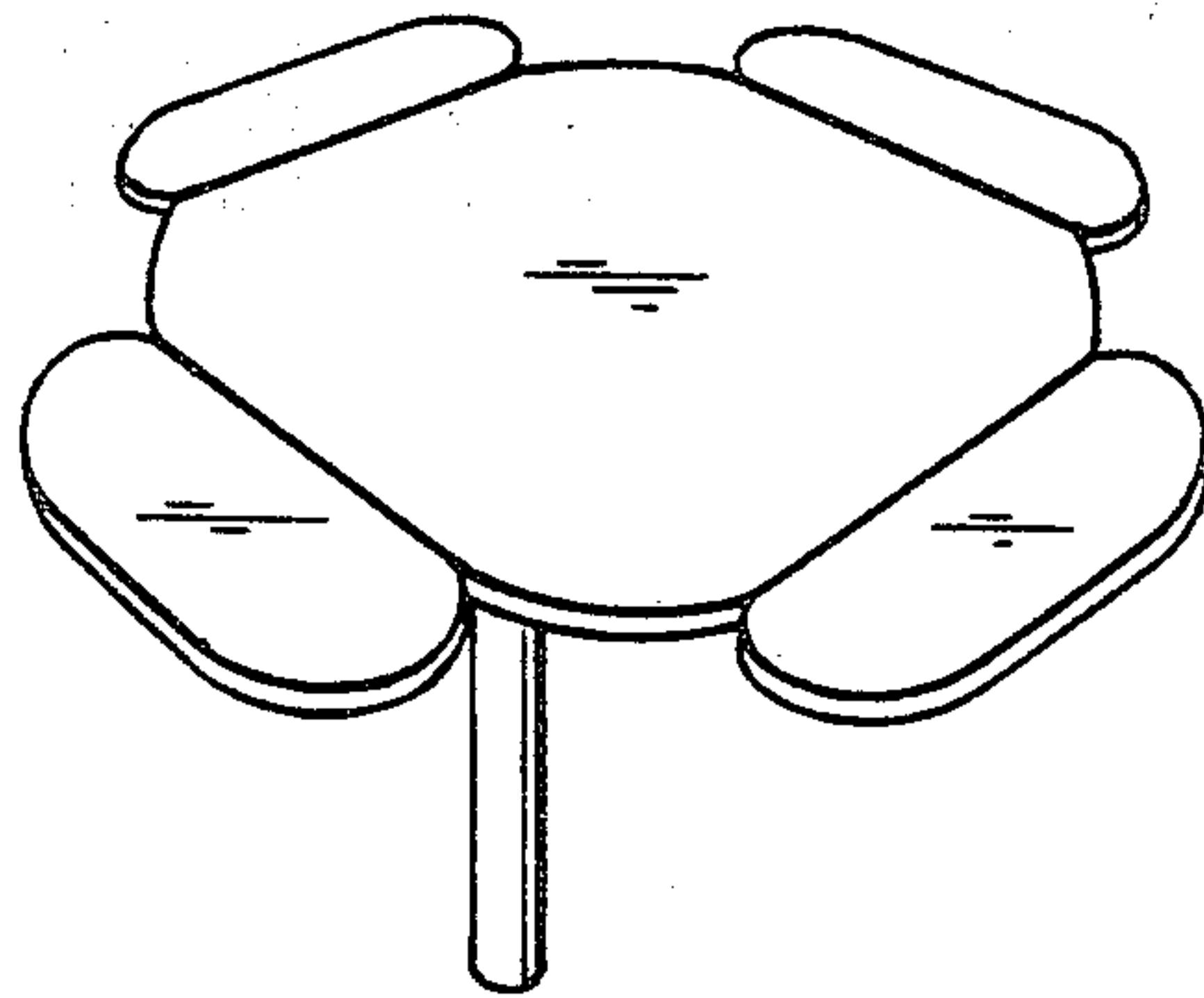


FIG. 2

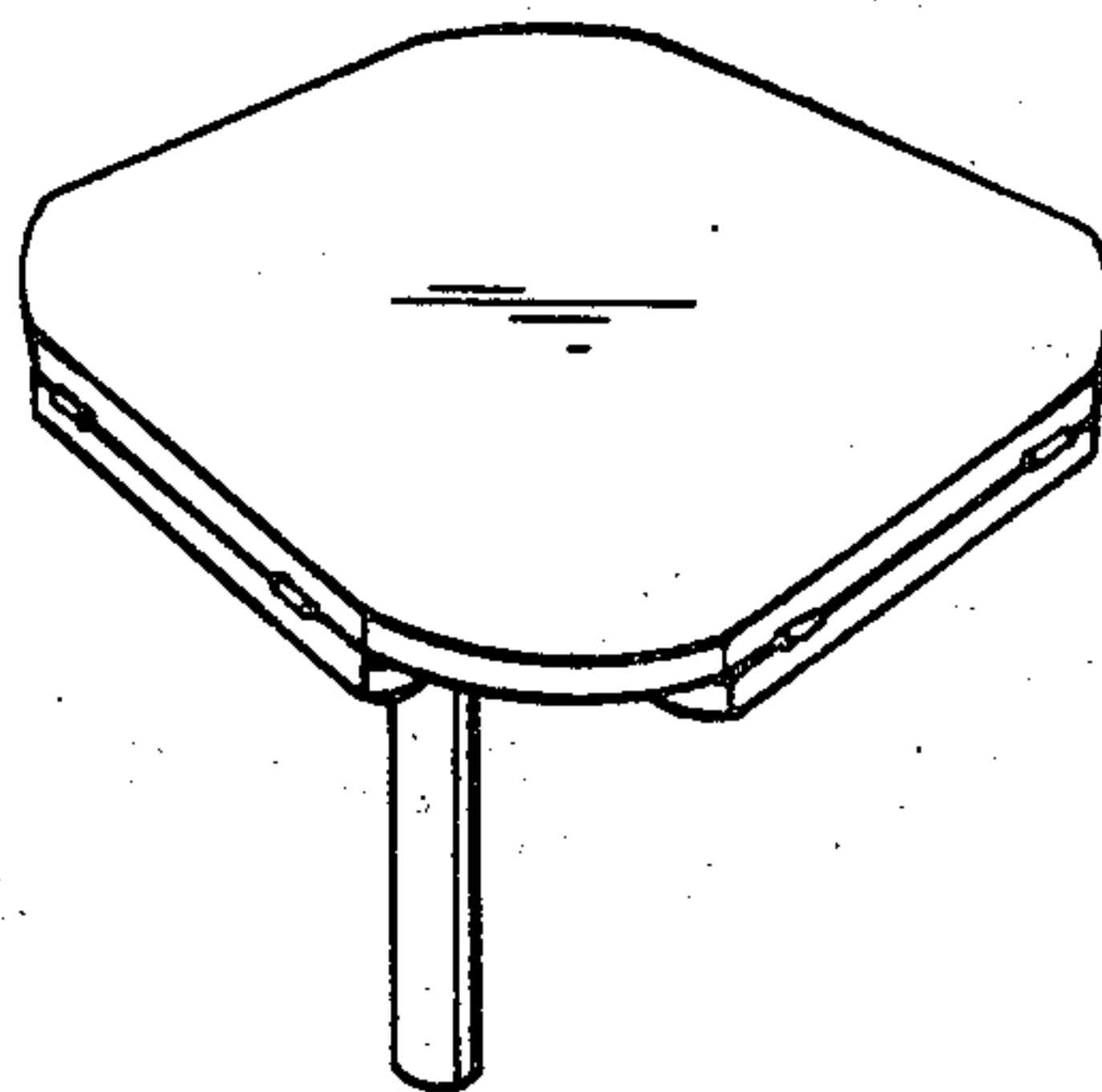


FIG. 3

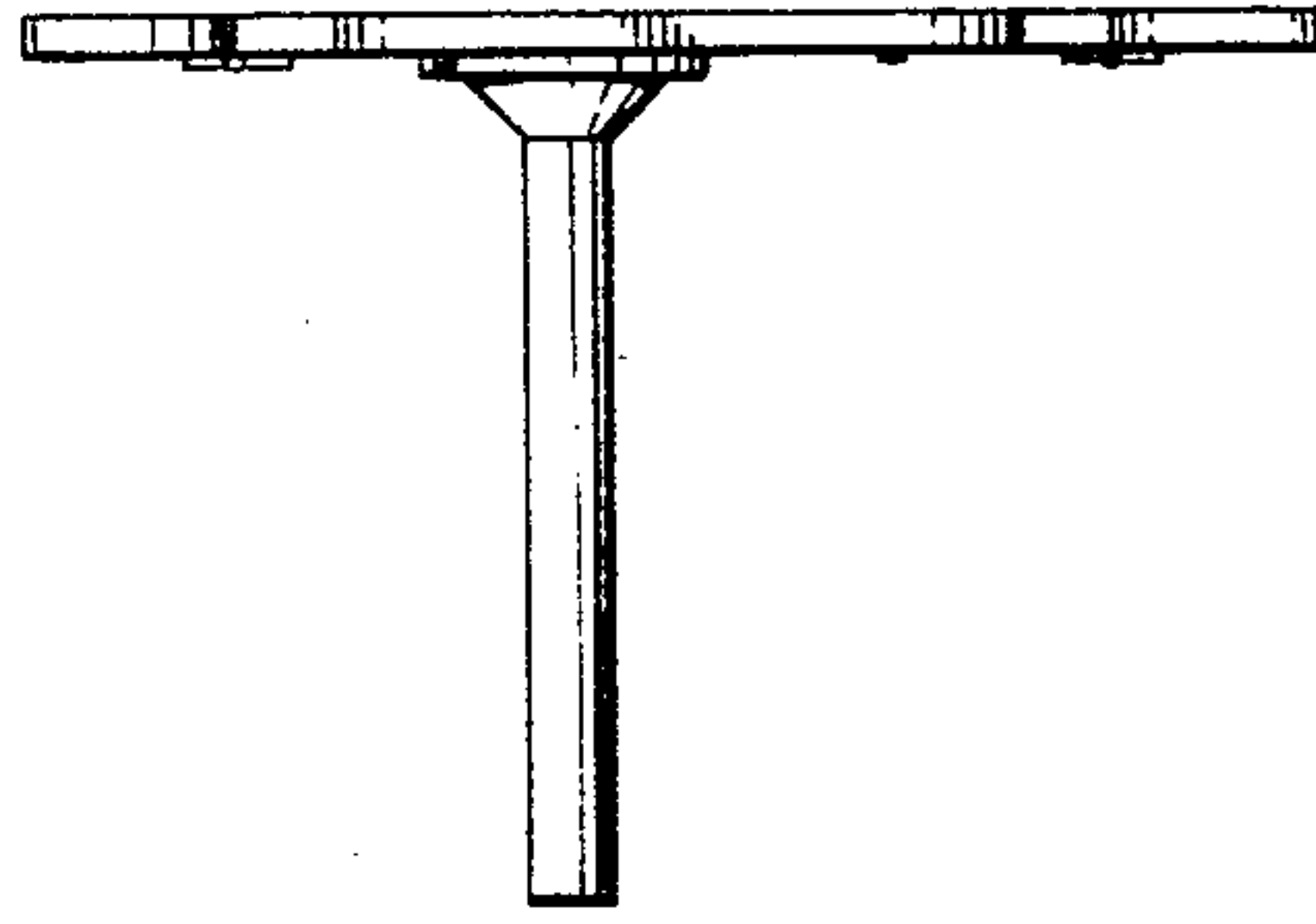


FIG. 4

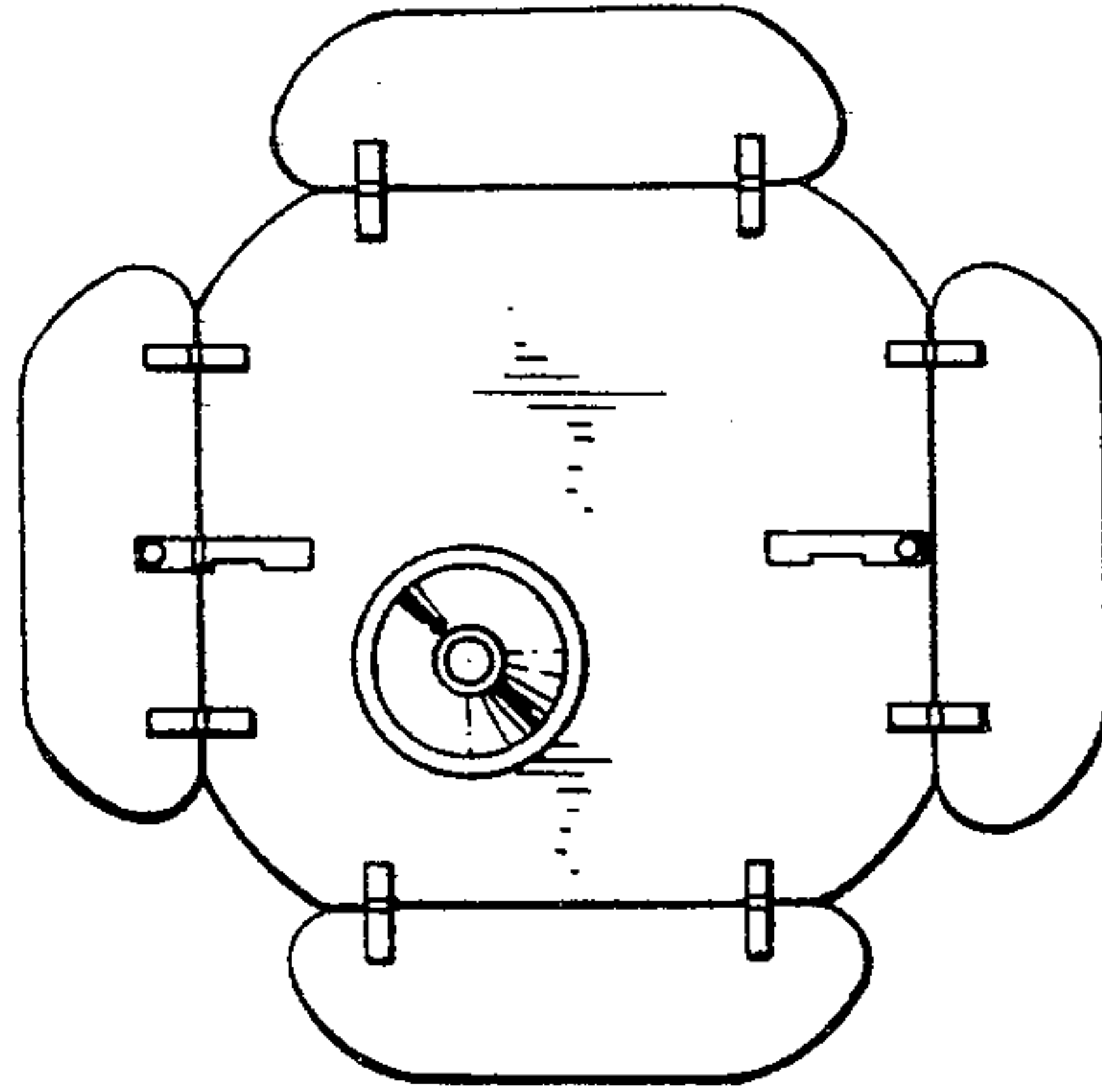


FIG. 5