

- [54] COMBINED BINGO BAG KIT AND SEAT PAD
- [76] Inventor: Maria C. Kruger, 806 S. Muirfield Rd., Los Angeles, Calif. 90005
- [**] Term: 14 Years
- [21] Appl. No.: 383,796
- [22] Filed: Jun. 1, 1982
- [52] U.S. Cl. D3/43; D3/44; D3/52; D3/74
- [58] Field of Search D3/30.1, 36, 52, 43, D3/44, 71, 74, 76, 77; 383/4; 206/579; 190/8; D6/64, 47; D21/24; 150/33

3,763,972	10/1973	Karzmar	383/4
3,871,519	3/1975	Groomes	206/579
4,116,310	9/1978	Shields	D3/43

Primary Examiner—George P. Word
 Attorney, Agent, or Firm—Spensley, Horn, Jubas & Lubitz

[57] CLAIM

The ornamental design for a combined bingo bag kit and seat pad, substantially as shown and described.

DESCRIPTION

FIG. 1 is a front perspective view of a combined bingo bag kit and seat pad showing my new design; FIG. 2 is a bottom rear perspective view thereof; FIG. 3 is a perspective view thereof in the open position showing bingo paraphernalia stored therein; FIG. 4 is a perspective view thereof opened for use as a seat pad; and FIG. 5 is an enlarged scale cross-sectional view taken along line 5—5 of FIG. 1.

- [56] References Cited
- U.S. PATENT DOCUMENTS
- D. 239,741 4/1976 Mommsen D3/44
- D. 263,176 3/1982 Harrington D3/74
- 1,864,648 6/1932 Haines 383/4
- 3,489,194 1/1970 Hoover 383/4

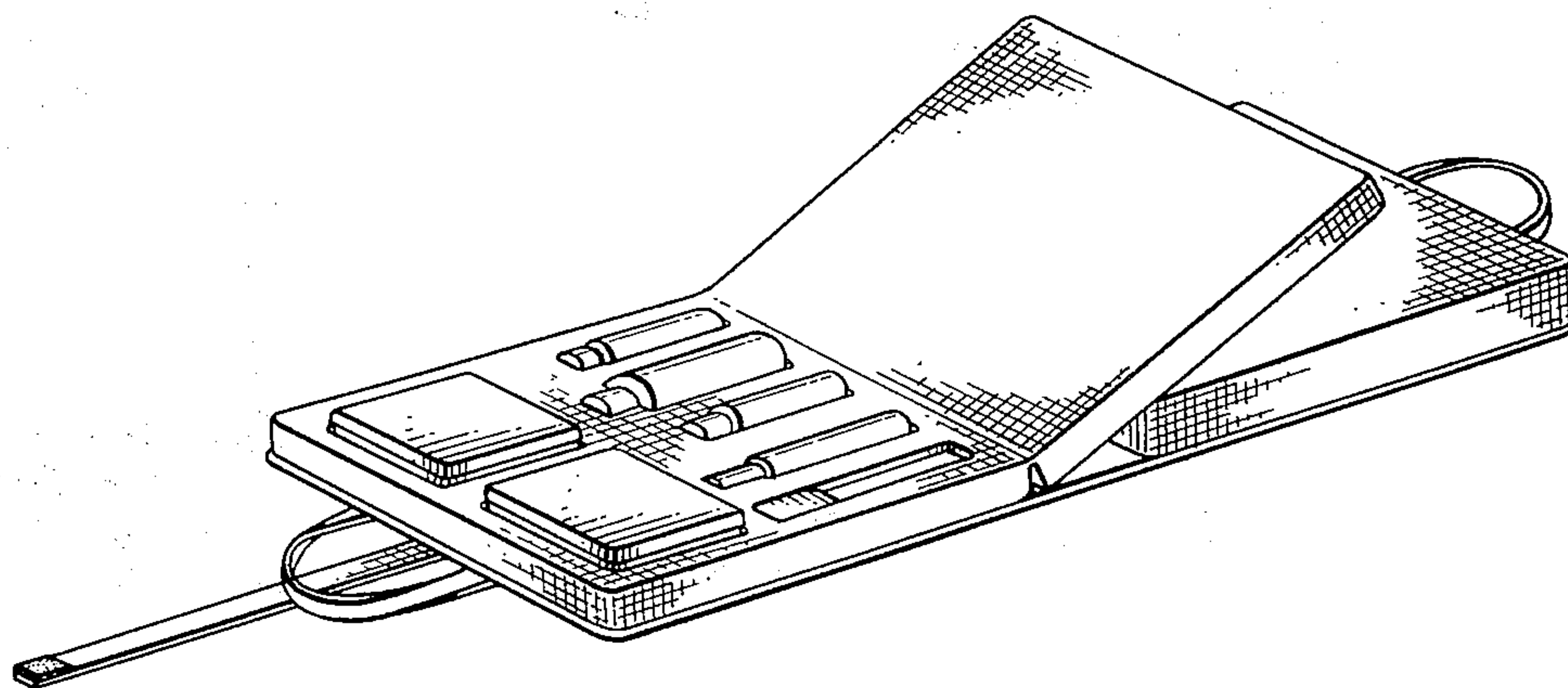


FIG. 1

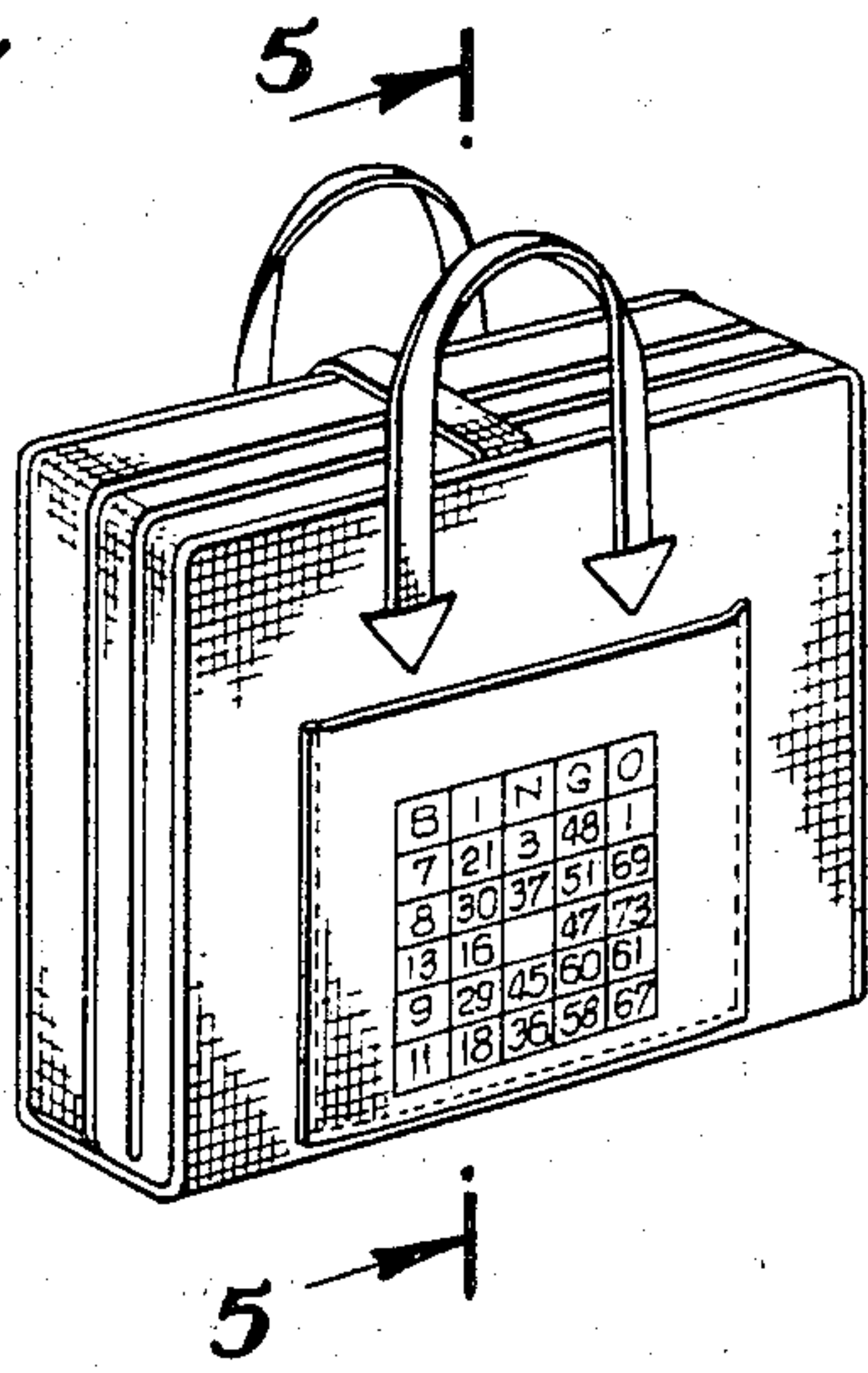


FIG. 2

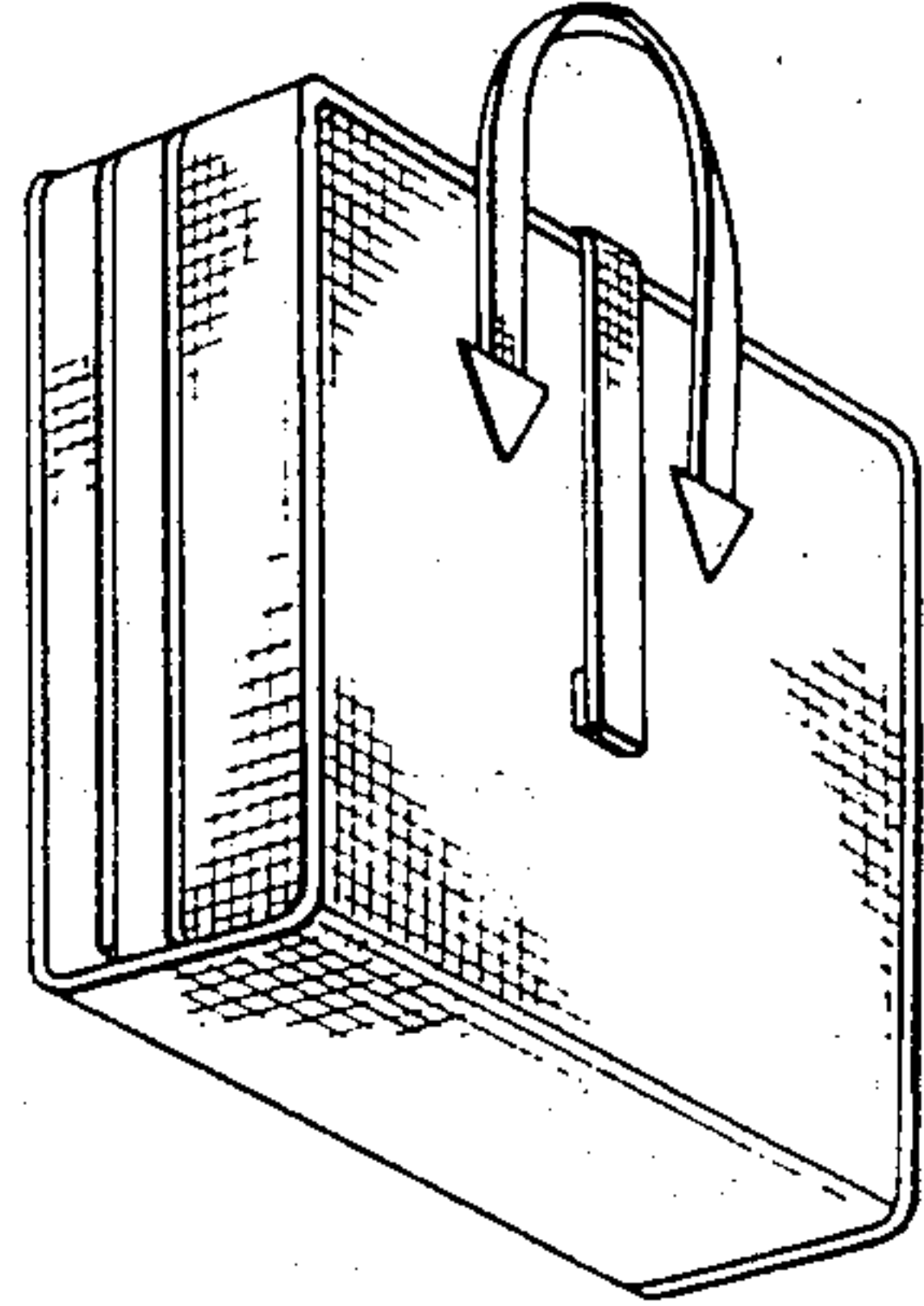


FIG. 3

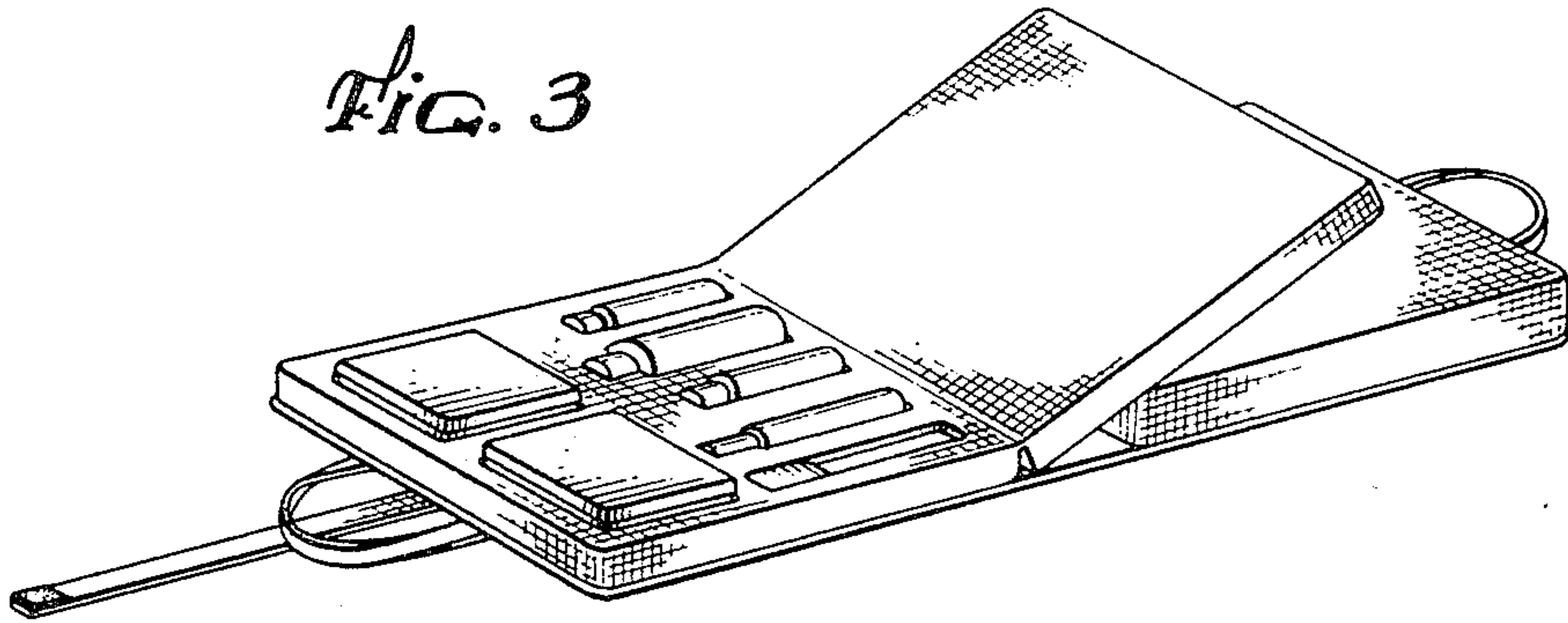


FIG. 4

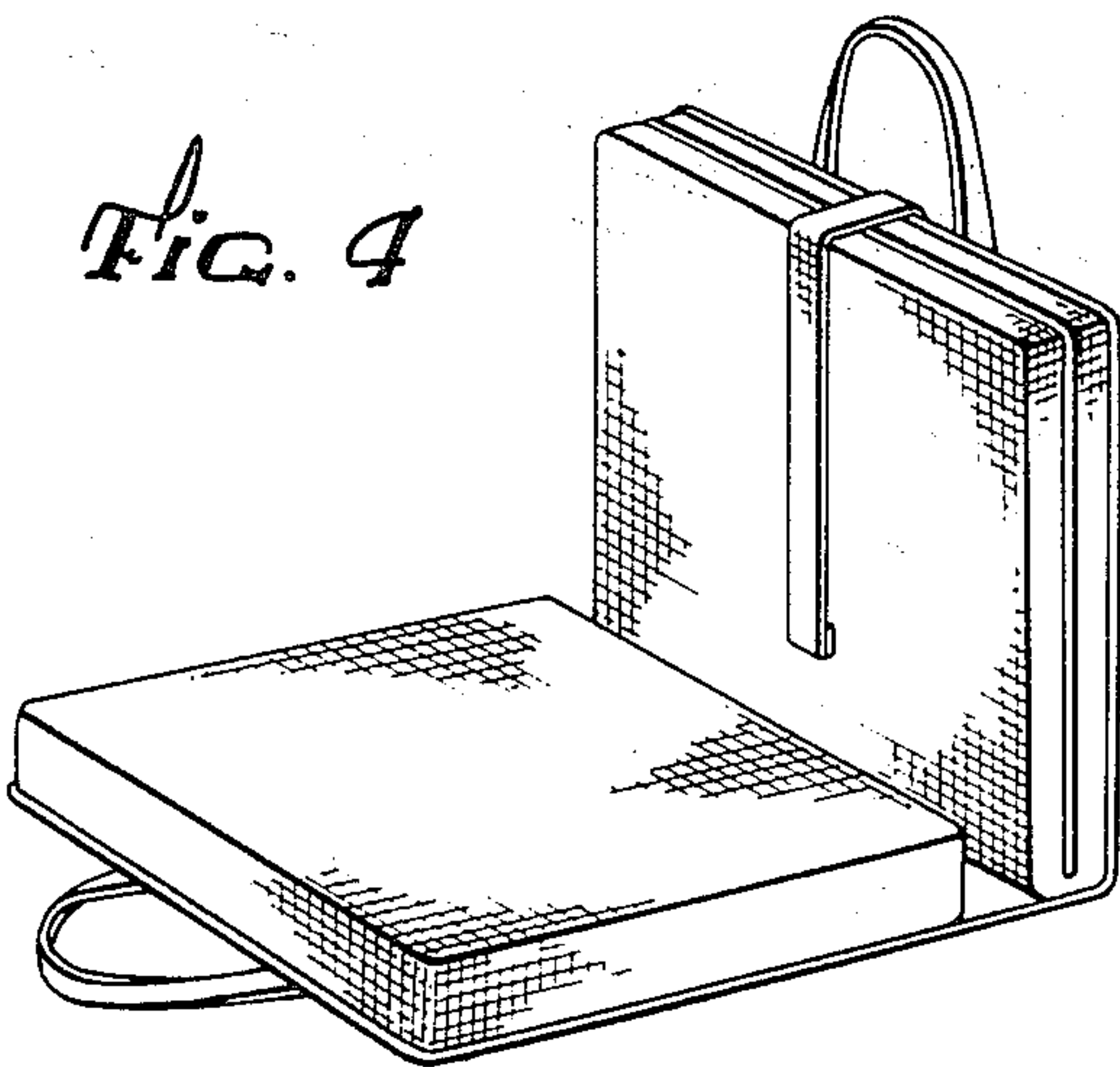


FIG. 5

