

[54] CAMERA BAG

[76] Inventor: Robert Weinreb, 510 Broadway, New York, N.Y. 10012

[\*\*] Term: 14 Years

[21] Appl. No.: 401,337

[22] Filed: Jul. 23, 1982

[52] U.S. Cl. .... D3/33; D3/71; D3/79

[58] Field of Search ..... D3/30.1, 33-36, D3/42, 48, 71, 76-79; 150/52 R, 52 T

[56] References Cited

U.S. PATENT DOCUMENTS

D. 217,414	4/1970	Lang et al. ....	D3/33
D. 240,468	7/1976	Ainslie .....	D3/33
D. 247,460	3/1978	Sykes .....	D3/33
D. 247,525	3/1978	Sykes .....	D3/33
D. 249,824	10/1978	Koszegi .....	D3/33
D. 258,702	3/1981	Weinreb .....	D3/33
1,455,452	5/1923	Semenick .	
2,164,493	7/1939	Braneu .....	190/52
2,540,165	2/1951	Fiel .....	190/42
3,963,102	6/1976	Carp .....	150/28 R
4,212,377	7/1980	Weinreb .....	150/52 J

OTHER PUBLICATIONS

W. Bell Cat. 1977, p. 251, Item "K".

Primary Examiner—George P. Word

Attorney, Agent, or Firm—Jacobs & Jacobs

[57] CLAIM

The ornamental design for a camera bag, as shown and described.

DESCRIPTION

FIG. 1 is a front perspective view of a camera bag, showing my new design;

FIG. 2 is a front elevational view;  
 FIG. 3 is a rear elevational view;  
 FIG. 4 is a left side elevational view;  
 FIG. 5 is a right side elevational view;  
 FIG. 6 is a top plan view;  
 FIG. 7 is a bottom plan view;  
 FIG. 8 is a front perspective view with the front top flap shown partly broken away, opened to show the top opening, zippered compartment and interior;  
 FIG. 9 is a rear perspective view, with the rear top flap opened to show the zippered compartment and its accordian pleated sides;  
 FIG. 10 is a front perspective view of a camera bag, showing another embodiment of my new design;  
 FIG. 11 is a front elevational view of the embodiment of FIG. 10;  
 FIG. 12 is a rear elevational view of the embodiment of FIG. 10;  
 FIG. 13 is a left side elevational view of the embodiment of FIG. 10;  
 FIG. 14 is a right side elevational view of the embodiment of FIG. 10;  
 FIG. 15 is a top plan view of the embodiment of FIG. 10;  
 FIG. 16 is a bottom plan view of the embodiment of FIG. 10.

A front perspective view with the front top flap shown partly broken away, opened to show the top opening, zippered compartment and interior of the embodiment of FIG. 10 is identical to FIG. 8 and a rear perspective view, with the rear top flap opened to show the zippered compartment and its accordian pleated sides of the embodiment shown in FIG. 10 is identical to FIG. 9. Partial showing of surface shading indicating a fabric texture is understood to be continuous on those surfaces where shown. Intermediate portions of the carrying strap have been broken away and omitted in FIGS. 1, 6, 8, 9 and 10 for convenience of illustration.

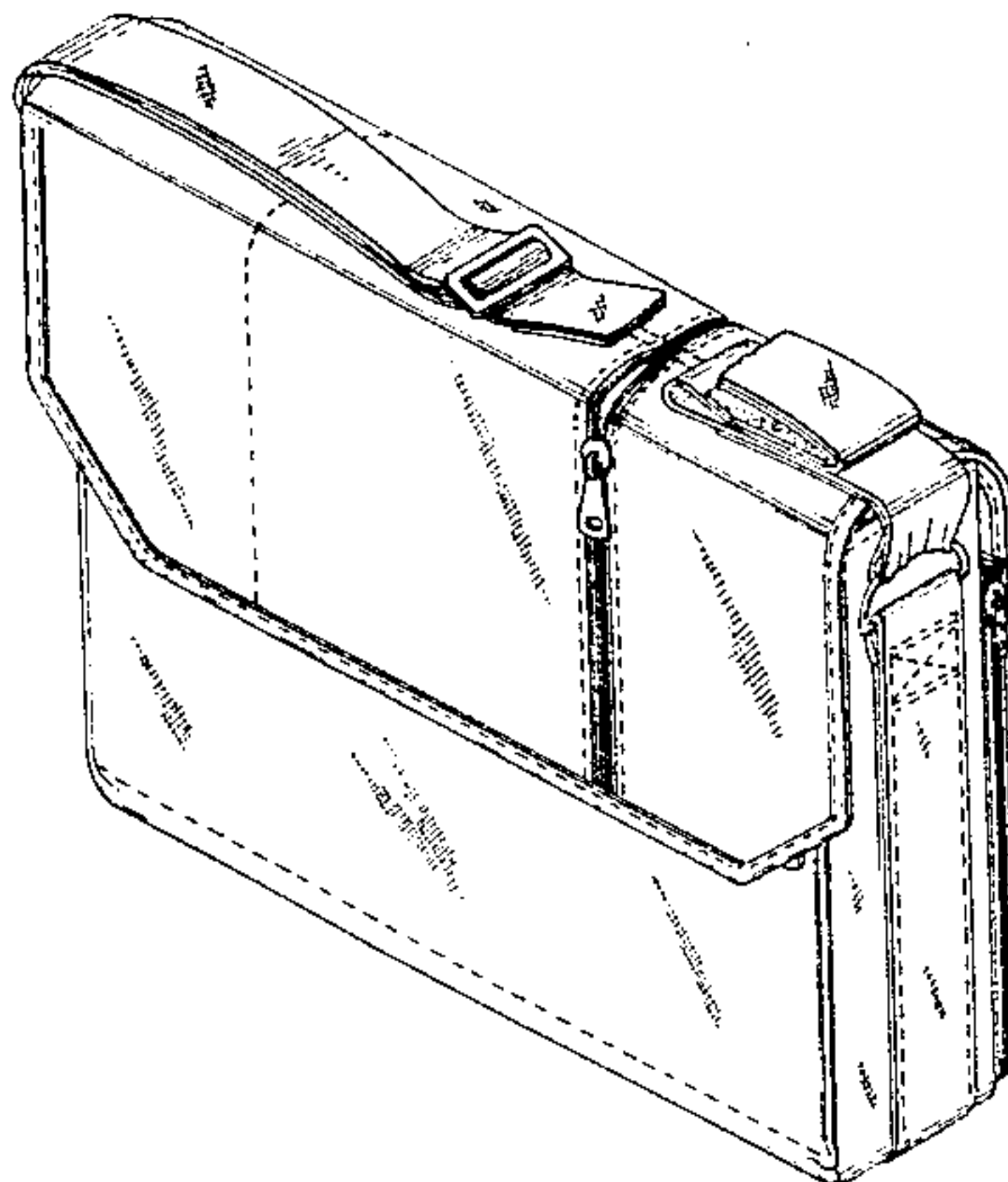


FIG. 3

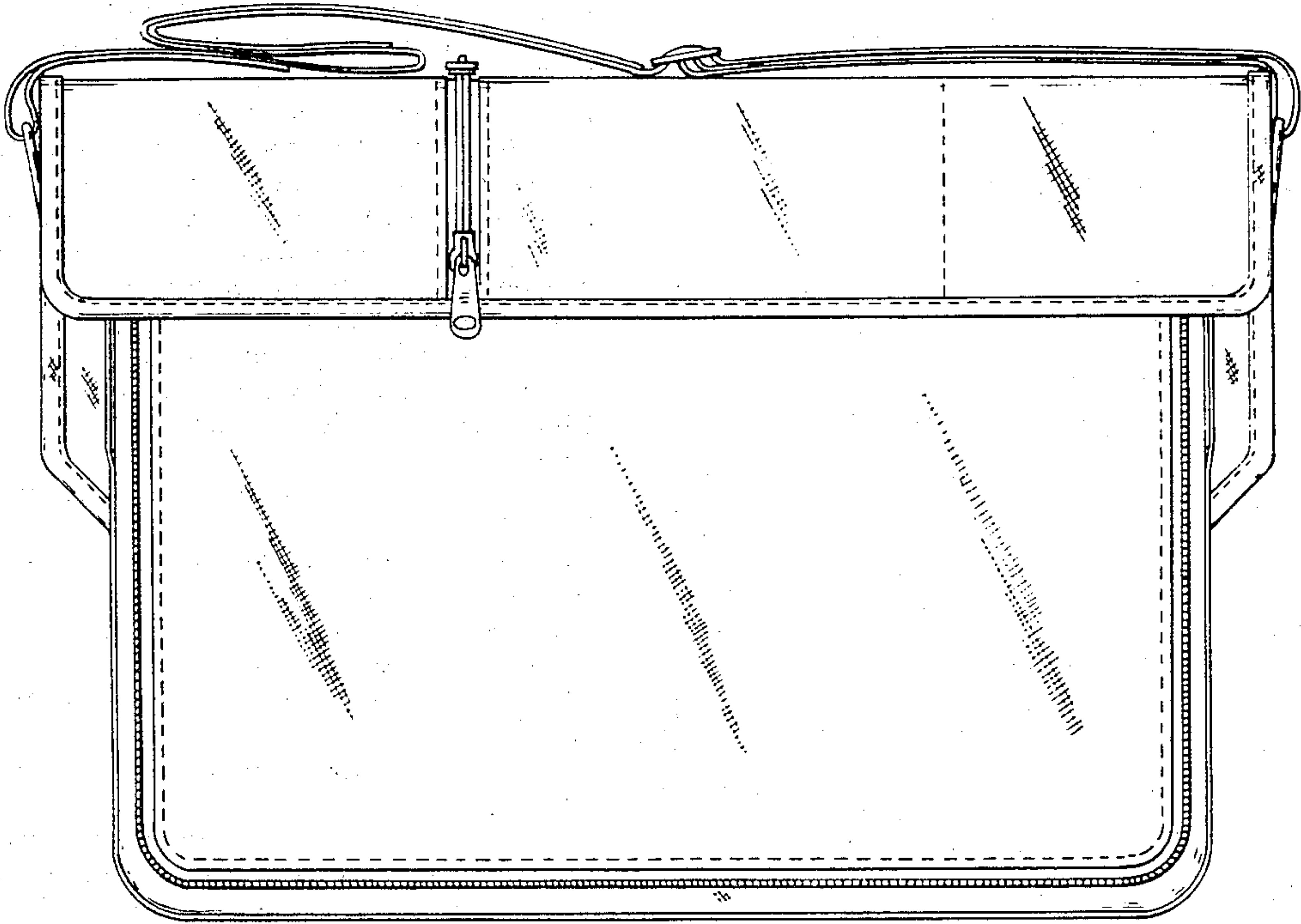


FIG. 4

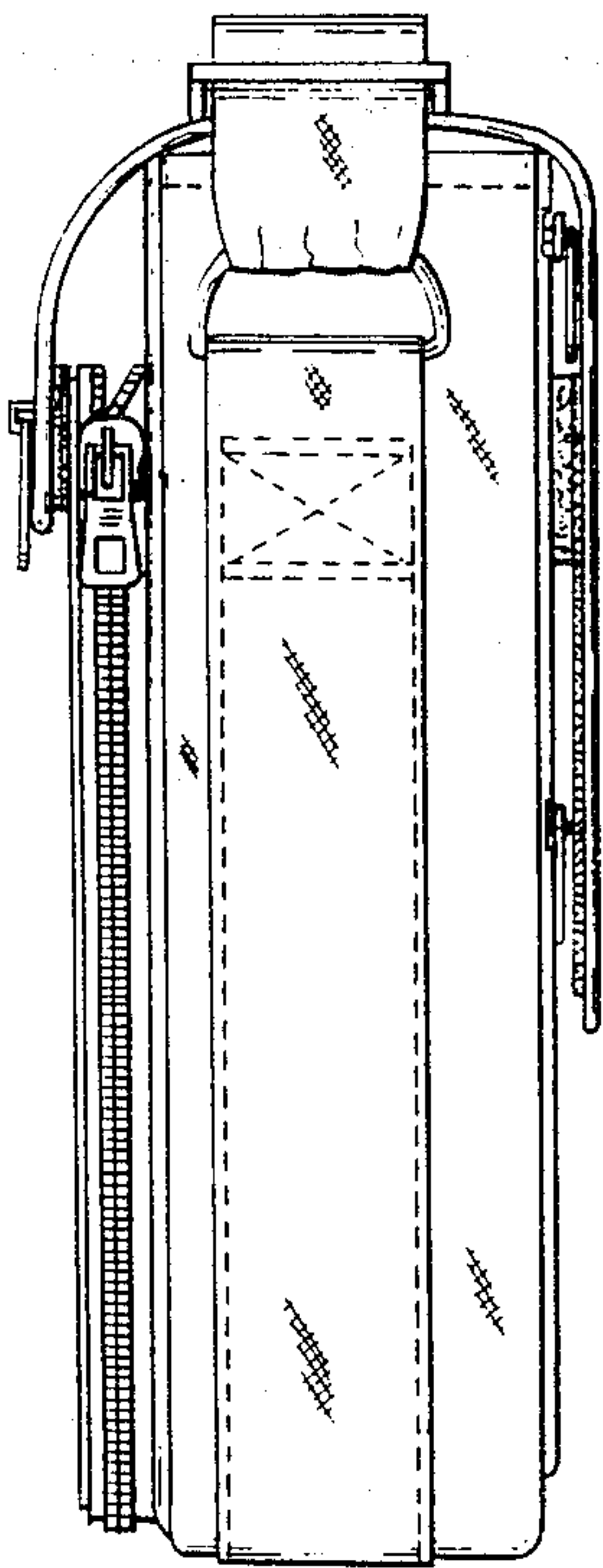
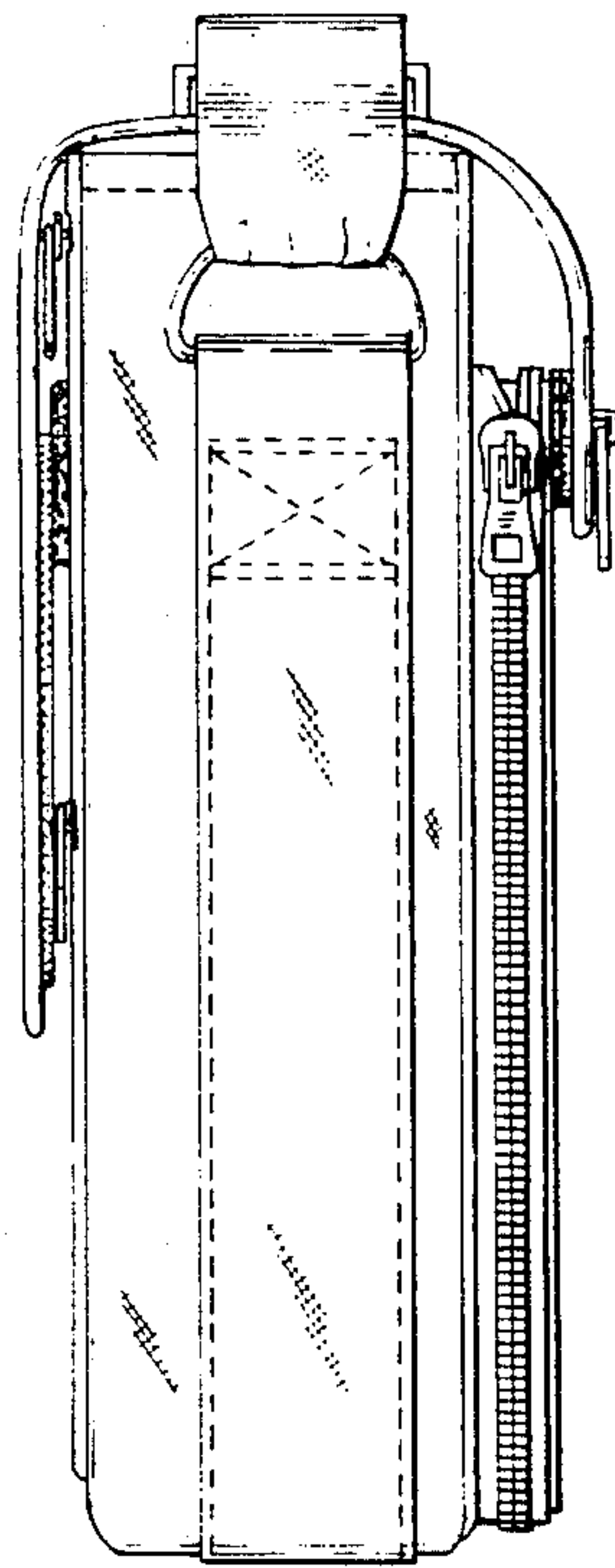
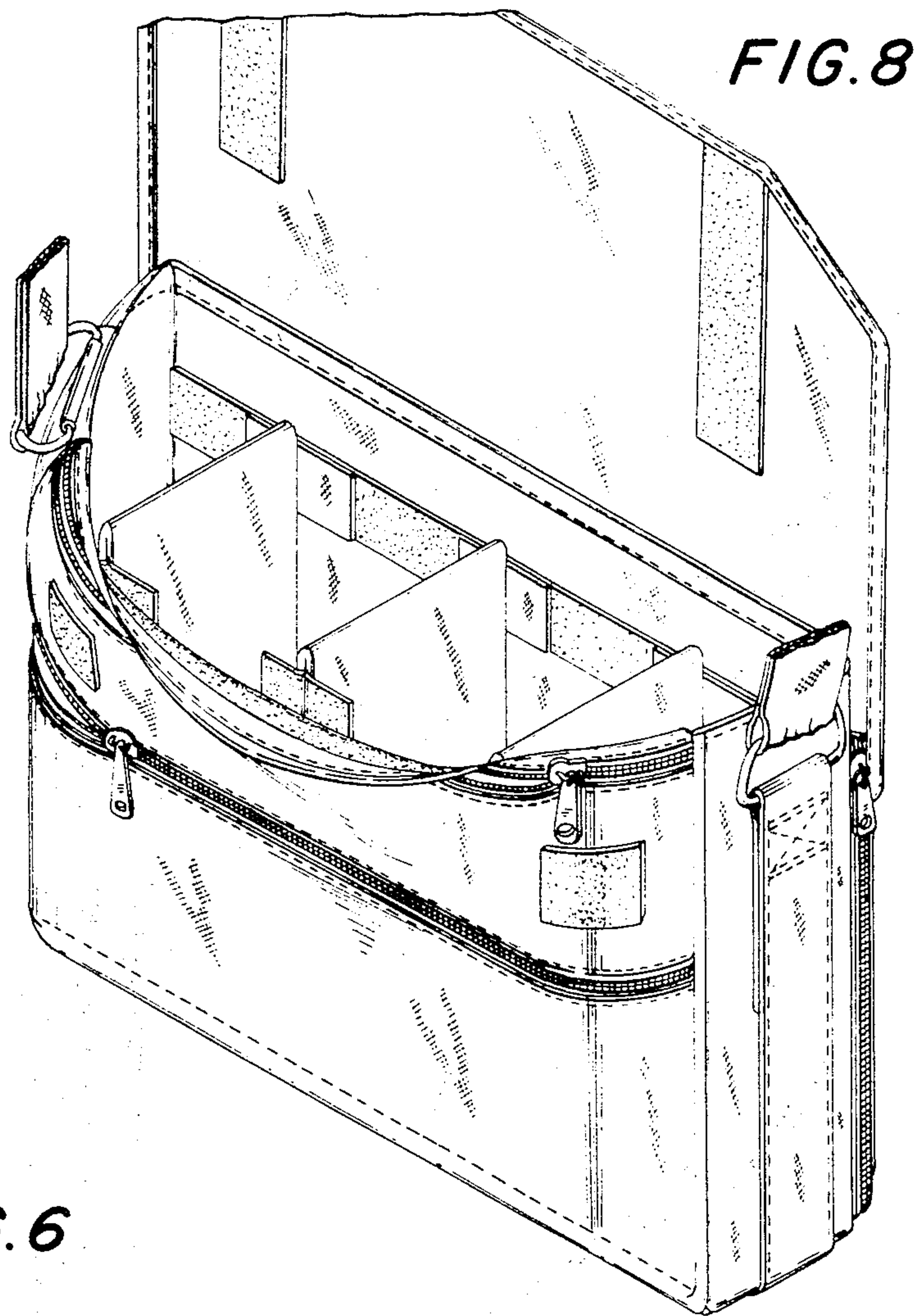


FIG. 5

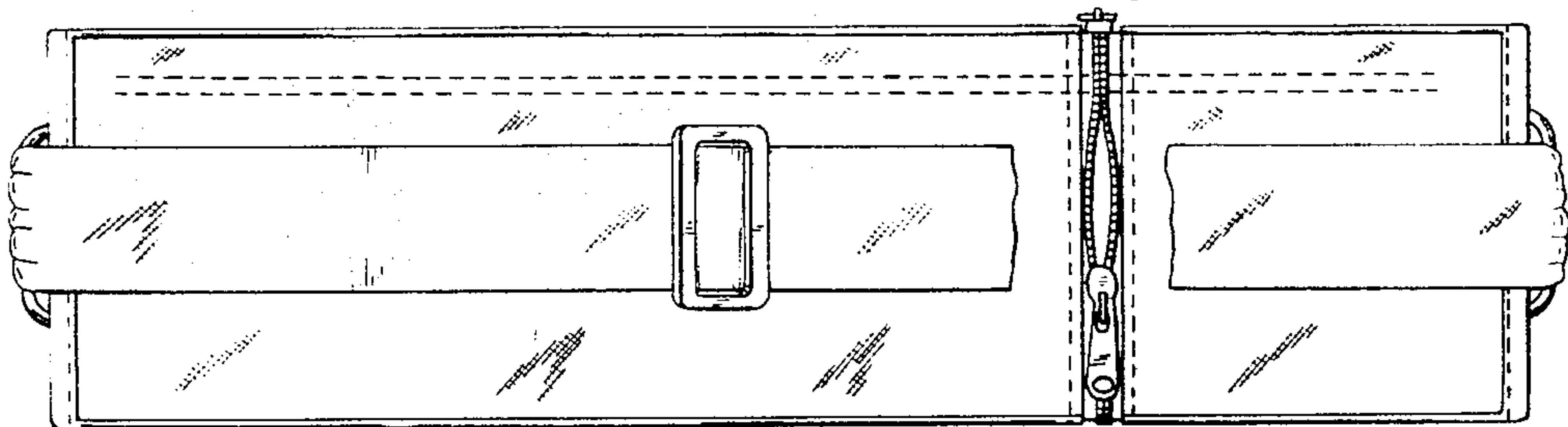






**FIG. 8**

**FIG. 6**



**FIG. 7**

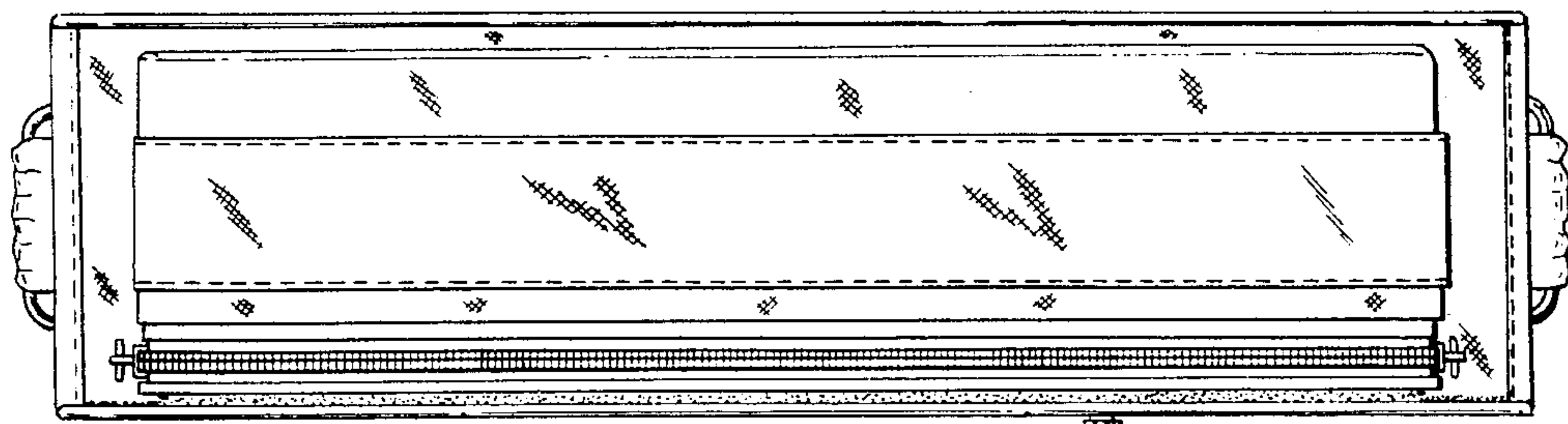
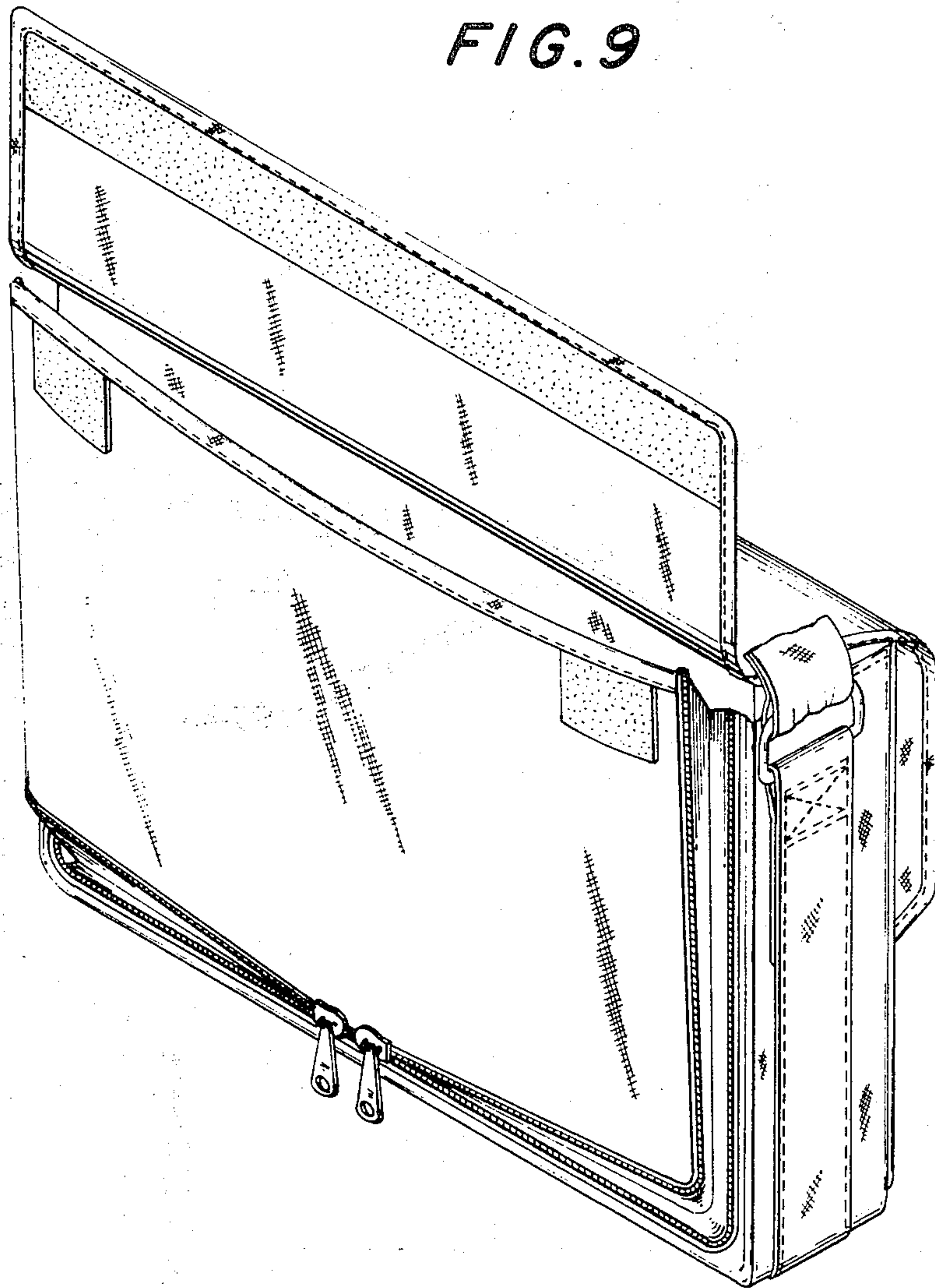


FIG. 9



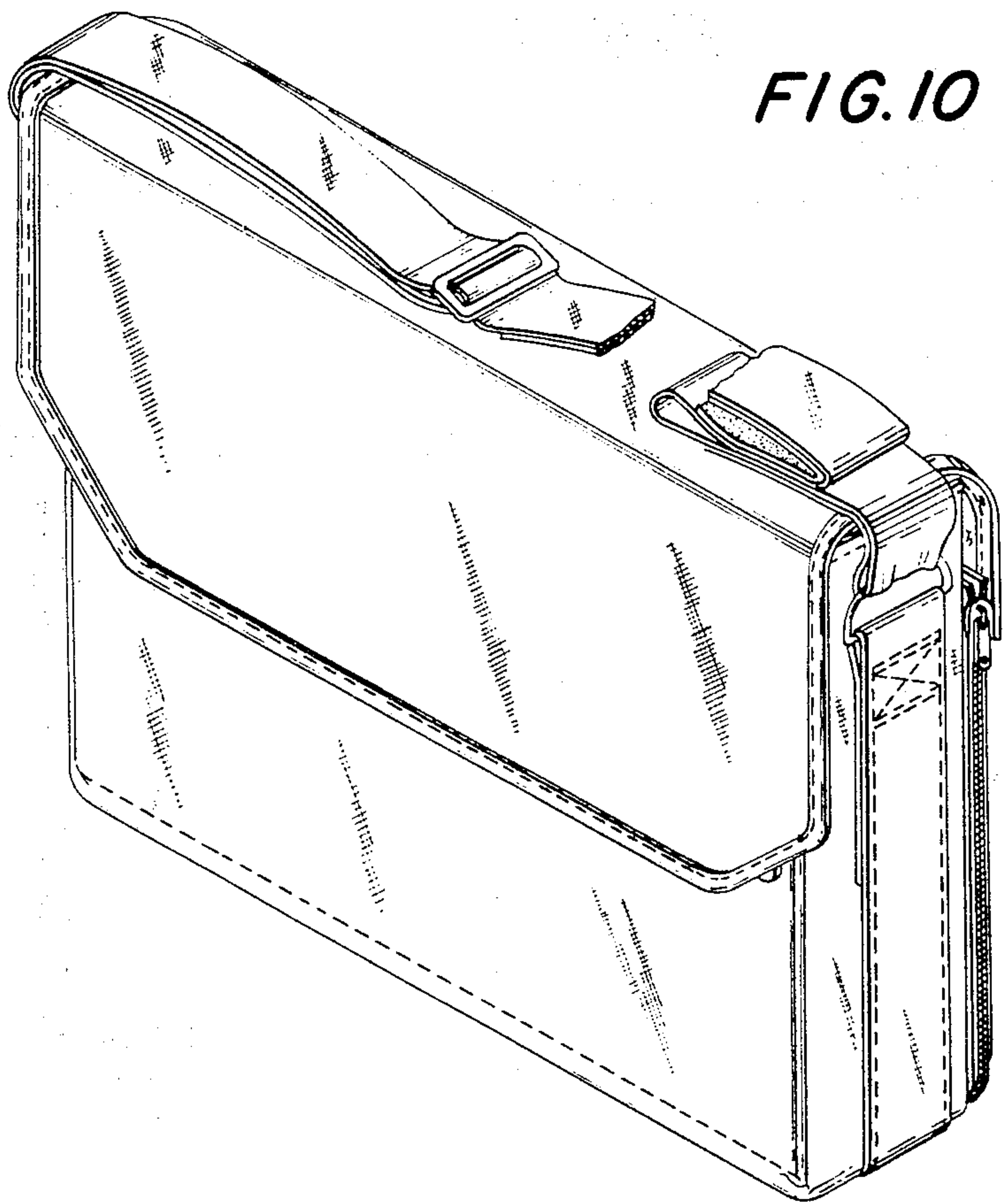


FIG. 11

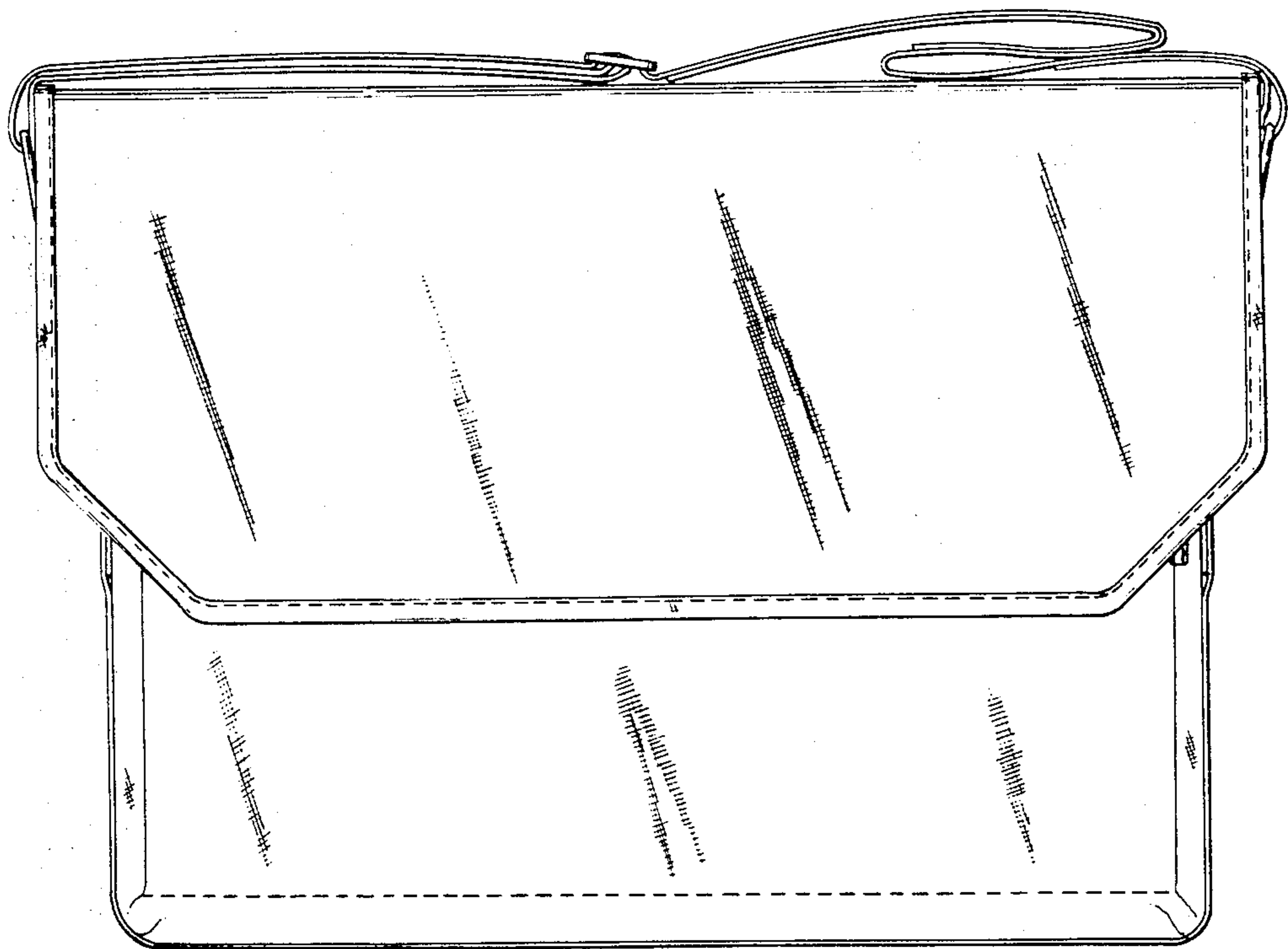




FIG. 12

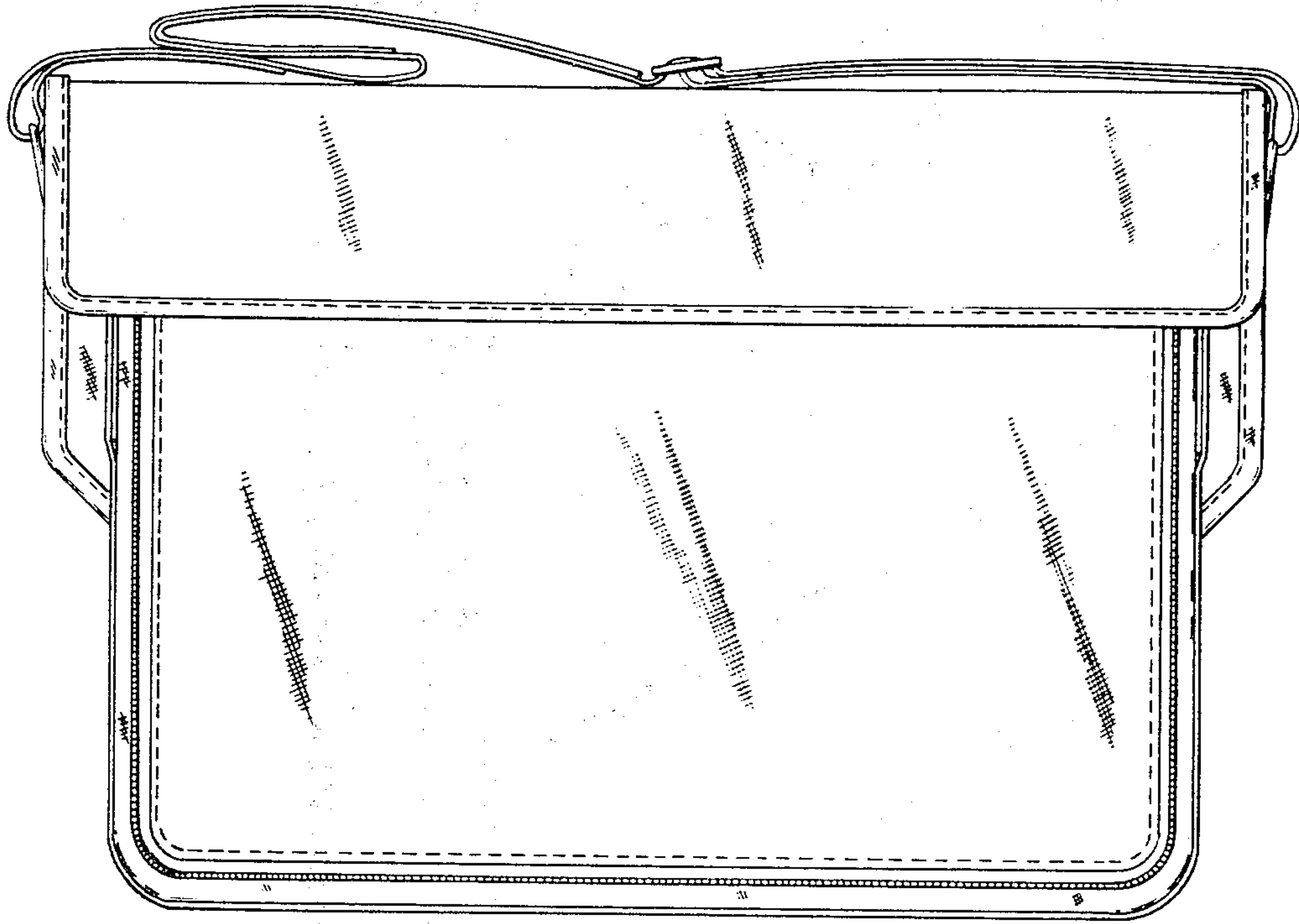


FIG. 13

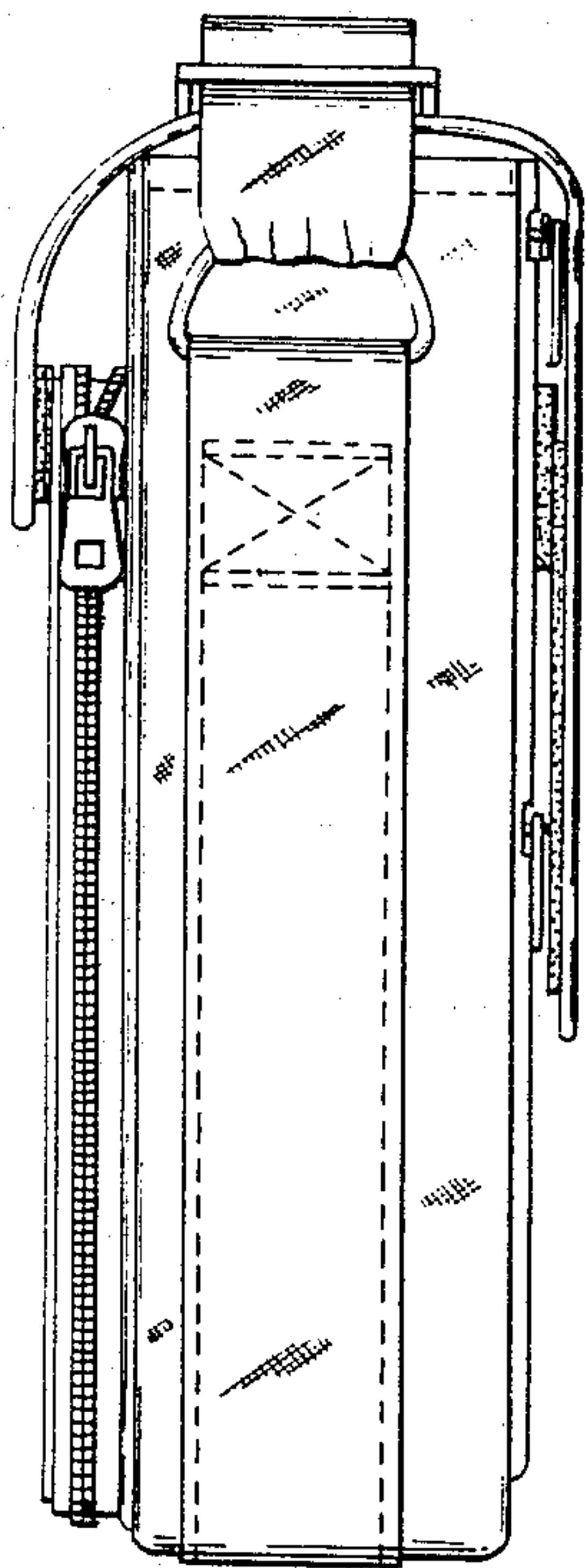


FIG. 14

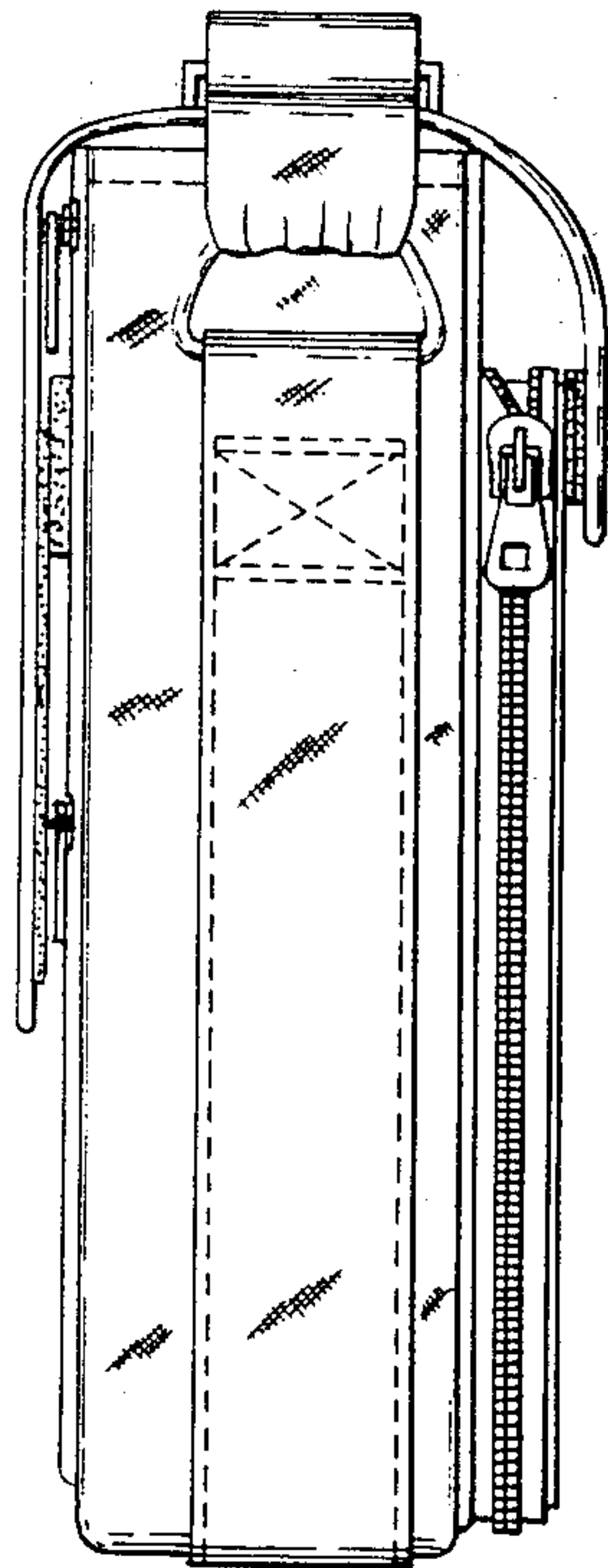


FIG. 15

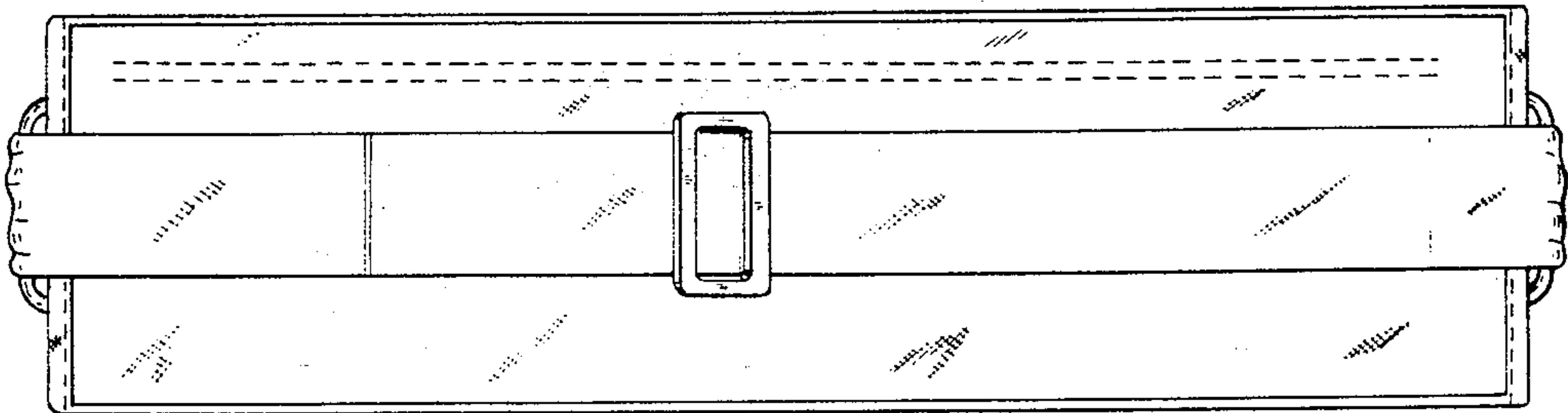
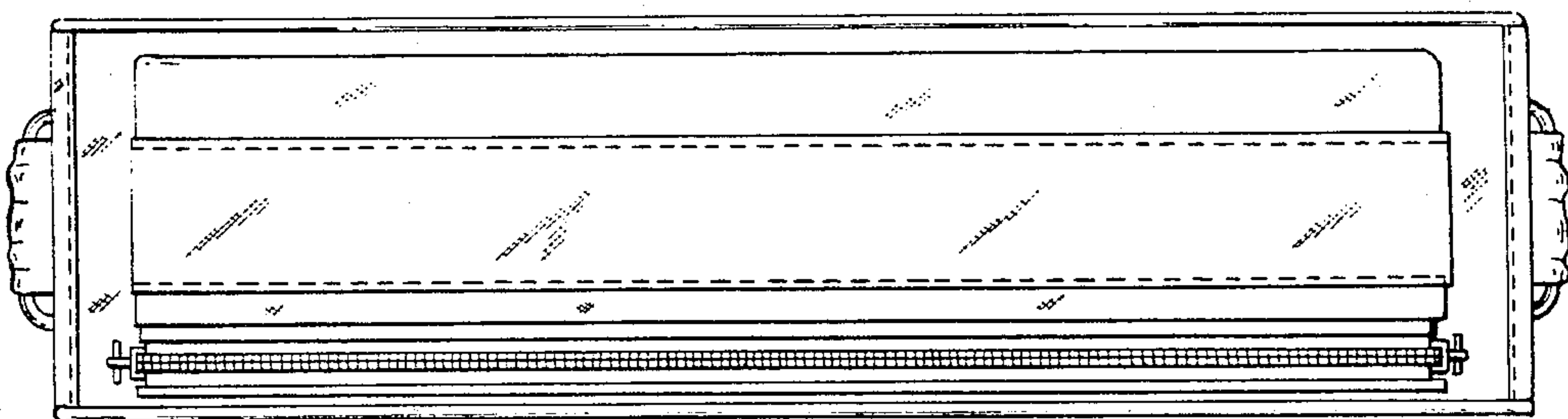


FIG. 16



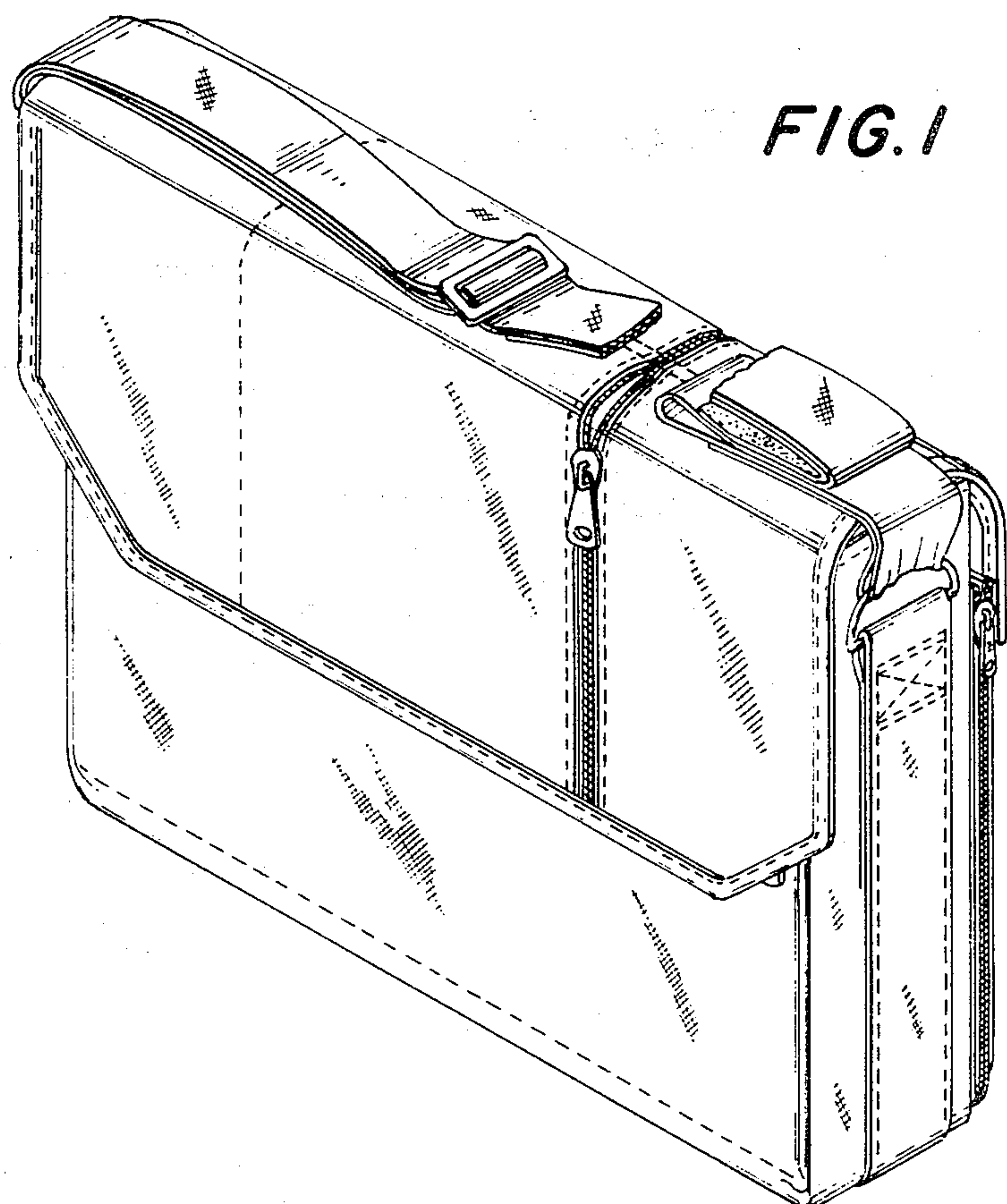


FIG. 1

FIG. 2

