

[54] **FACE SHIELD MOUNTING HOLDER FOR PROTECTIVE HELMETS**

[75] **Inventor: Göran Hellberg, Varberg, Sweden**

[73] **Assignee: Hellberg Protection Handelsbolag, Varberg, Sweden**

[**] **Term: 14 Years**

[21] **Appl. No.: 339,374**

[22] **Filed: Jan. 15, 1982**

[52] **U.S. Cl. D2/233**

[58] **Field of Search D2/230, 231, 232, 233; 2/10, 424**

[56] **References Cited**

U.S. PATENT DOCUMENTS

2,461,604	2/1949	Huntsman	D2/233	X
2,801,420	8/1957	Malcom, Jr.	2/10	X
3,548,412	12/1970	Raschke	2/10	
3,577,565	5/1971	Feldmann	2/10	

4,067,065 1/1978 Slosek 2/10

OTHER PUBLICATIONS

Bullard Industrial Safety Equipment Cat. #66A, ©1966, p. 7, Swing Back Brackets & Visors or Screens; second from right.

*Primary Examiner—Bernard Ansher
Assistant Examiner—Carmen H. Vales
Attorney, Agent, or Firm—Holman & Stern*

[57] **CLAIM**

The ornamental design for a face shield mounting holder for protective helmets, as shown and described.

DESCRIPTION

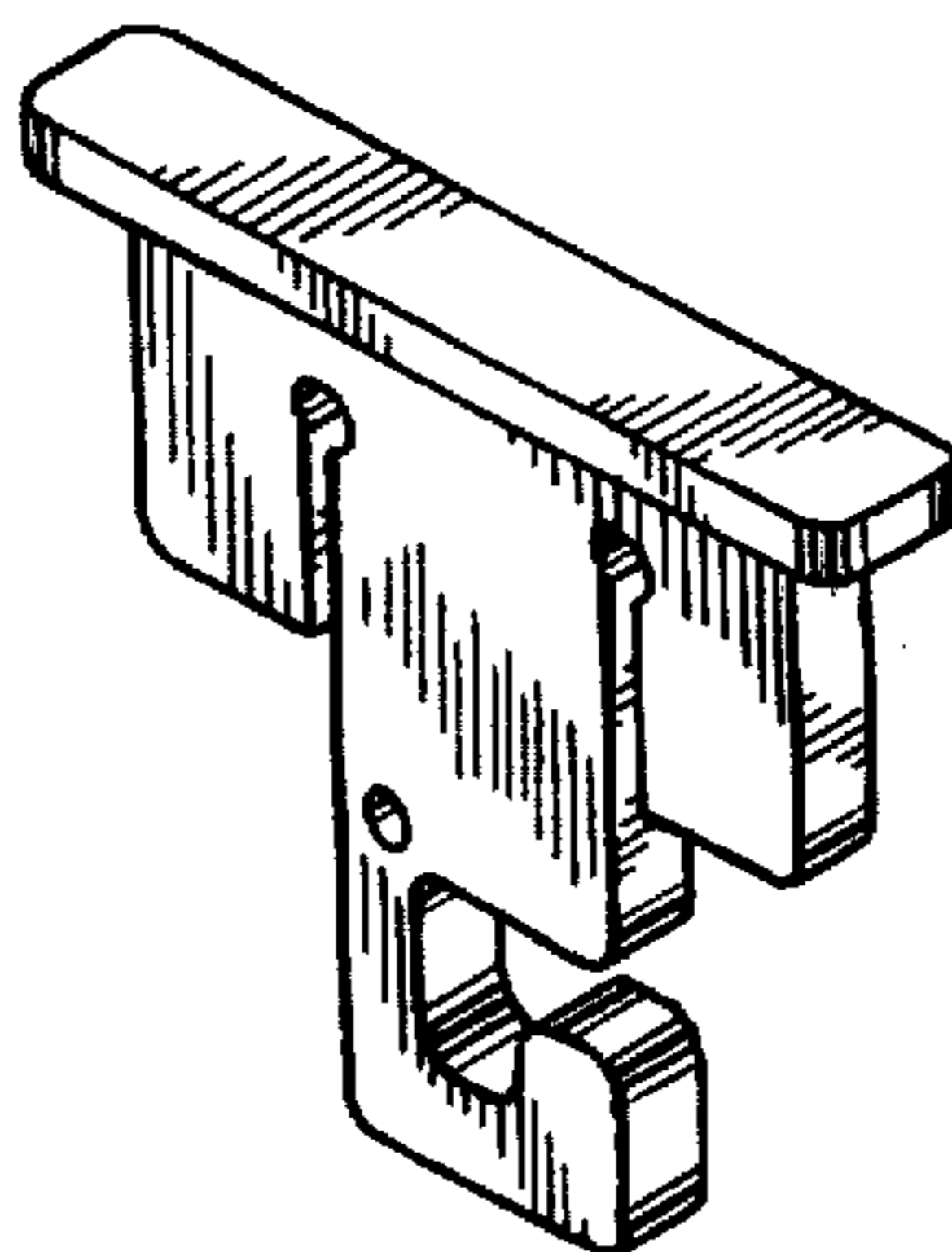
FIG. 1 is a front elevational view of a face shield mounting holder for protective helmets showing my new design;

FIG. 2 is a rear elevational view thereof;

FIG. 3 is a top plan view thereof;

FIG. 4 is a bottom plan view thereof; and

FIG. 5 is a perspective view thereof.



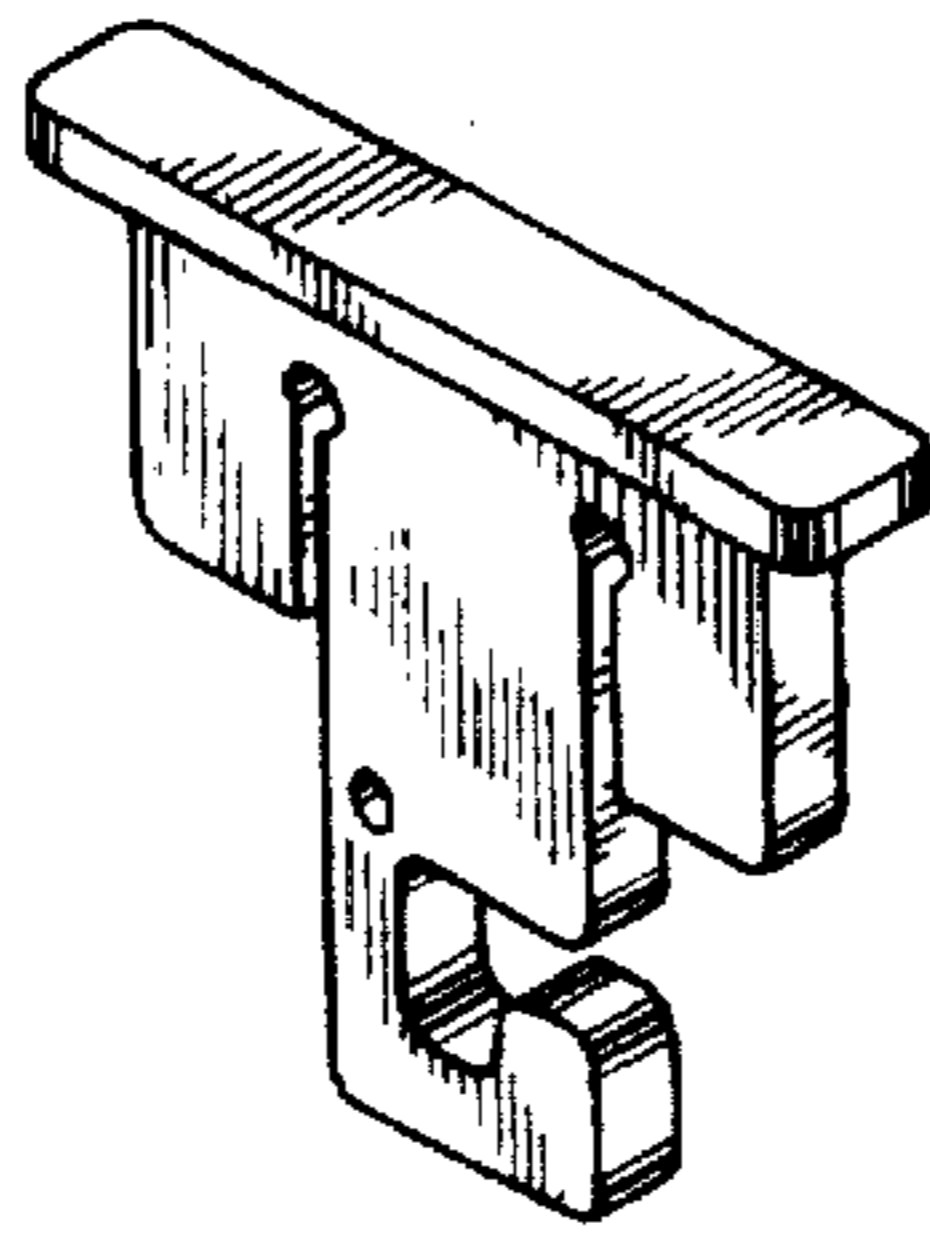


FIG. 5

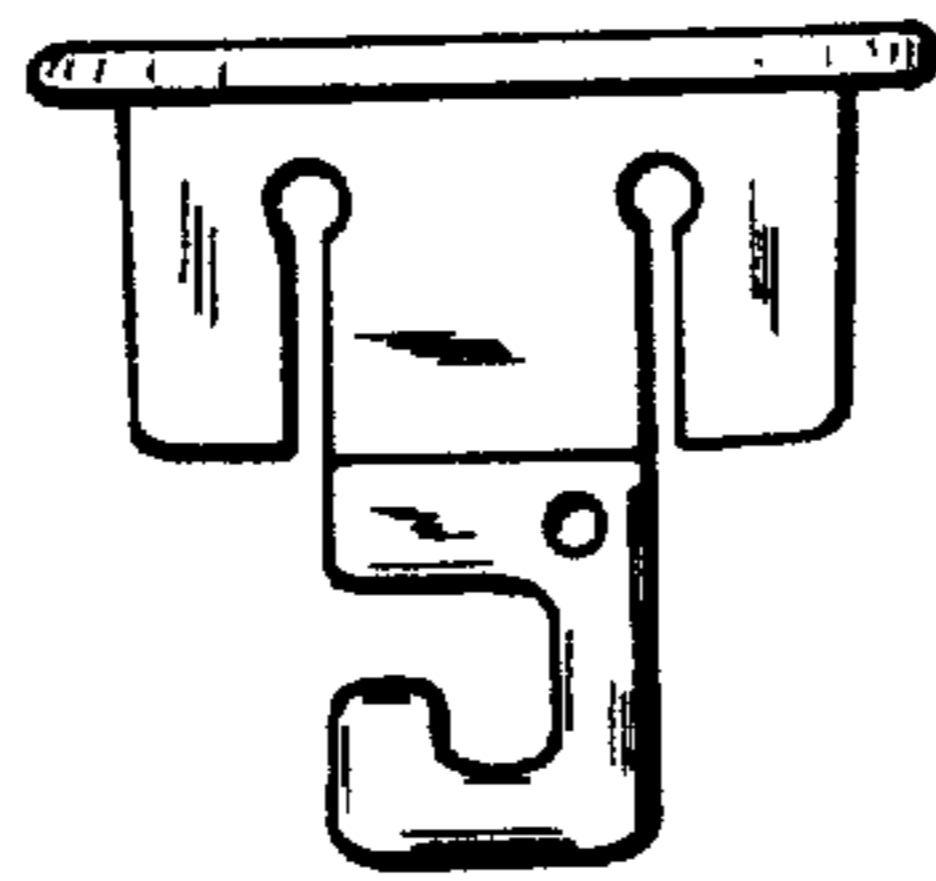


FIG. 1

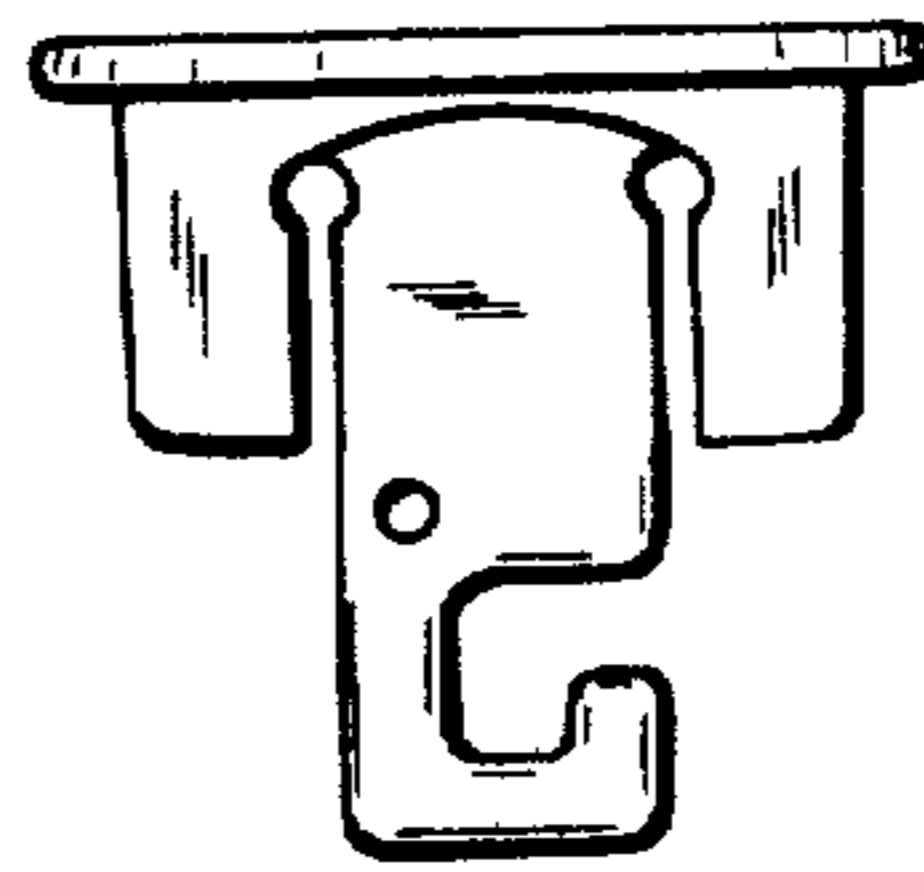


FIG. 2

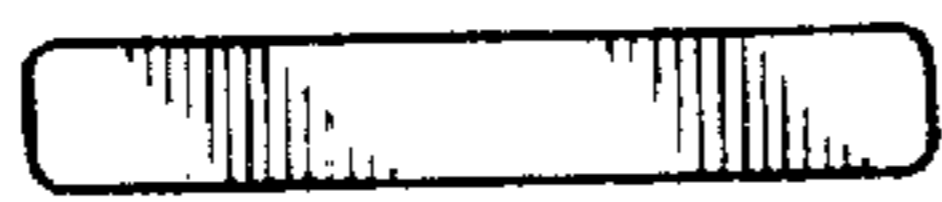


FIG. 3



FIG. 4