

- [54] **DOLLY FOR A TANK, BARREL, OR THE LIKE**
- [75] Inventors: **Rudolph W. Wacek**, Montoursville;
Robert C. Berfield, Jersey Shore;
Ronald F. Meland, Muncy, all of Pa.
- [73] Assignee: **Shop-Vac Corporation**, Williamsport, Pa.
- [**] Term: **14 Years**
- [21] Appl. No.: **440,802**
- [22] Filed: **Nov. 12, 1982**
- [52] U.S. Cl. **D34/23**
- [58] Field of Search **D34/23, 20; 280/79.1 R, 280/79.1 A; 248/129**

Assistant Examiner—Kay H. Chin
Attorney, Agent, or Firm—Ostrolenk, Faber, Gerb & Soffen

[57] **CLAIM**
The ornamental design for a dolly for a tank, barrel, or the like, as shown and described.

DESCRIPTION

FIG. 1 is a top view of a first embodiment of a dolly for a tank, barrel, or the like showing our new design;
 FIG. 2 is a side elevational view thereof;
 FIG. 3 is a bottom view thereof;
 FIG. 4 is a cross-sectional view thereof along the line 4—4 in FIG. 3;
 FIG. 5 is a top view of a second embodiment of a dolly for a tank, barrel, or the like;
 FIG. 6 is a side elevational view of FIG. 5 in the direction of arrow 6;
 FIG. 7 is a bottom view of FIG. 5;
 FIG. 8 is a cross-sectional view of FIG. 5 along the line 8—8 in FIG. 7.
 The broken lines in the drawing are for illustrative purposes only.

- [56] **References Cited**
 - U.S. PATENT DOCUMENTS**
 - D. 269,216 5/1983 Greenheck D34/23
 - 2,711,906 6/1955 Rideout et al. D34/23
- Primary Examiner—James M. Gandy

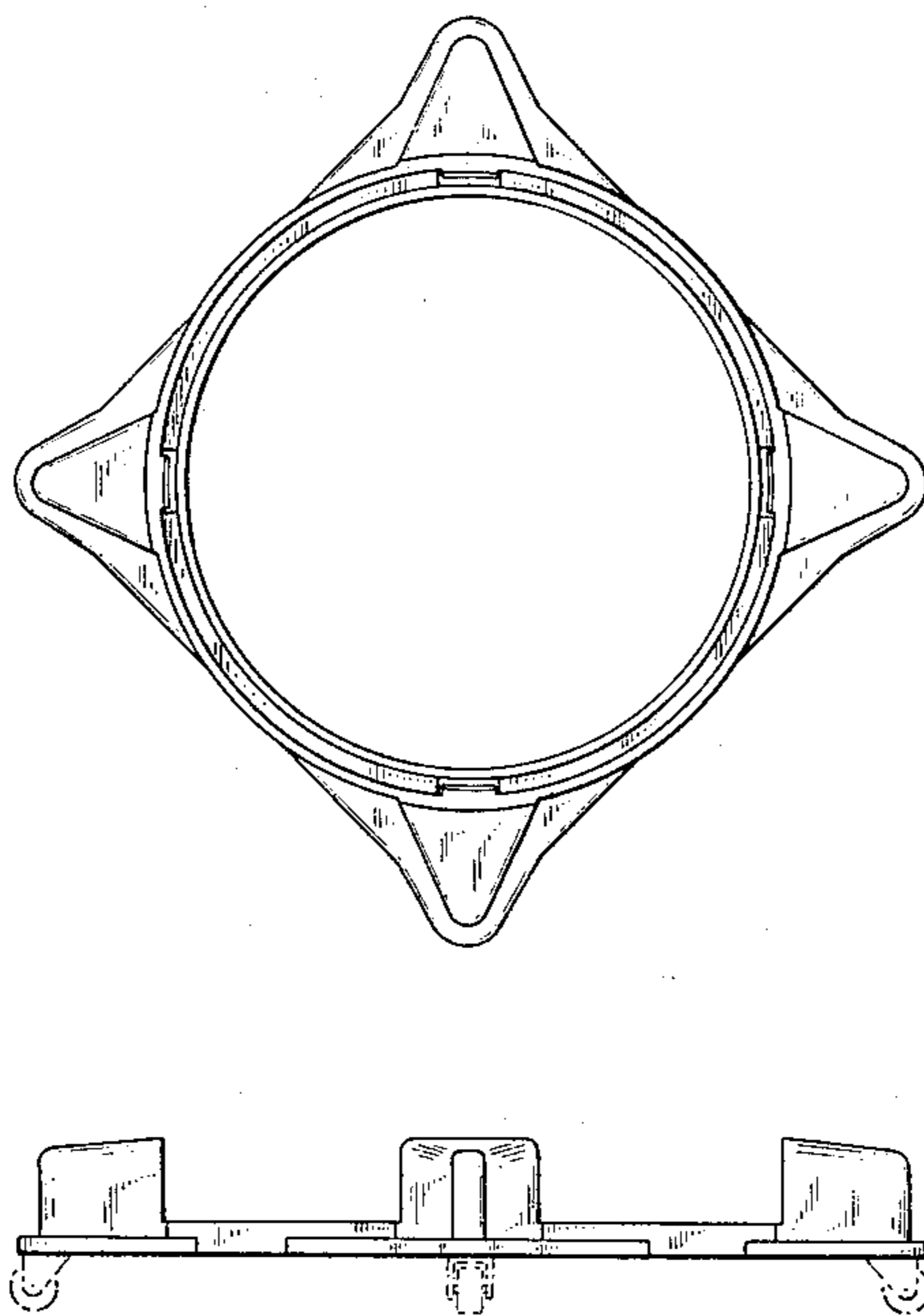


FIG. 1.

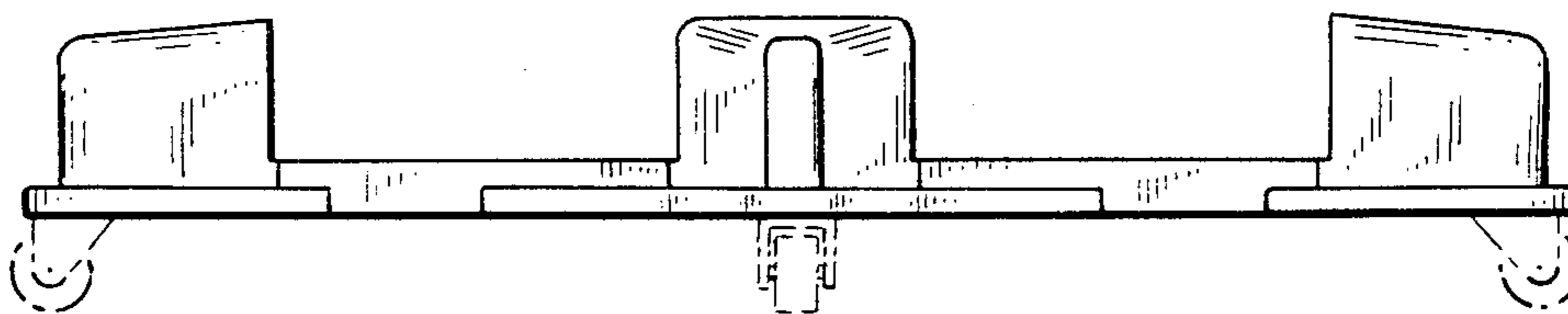
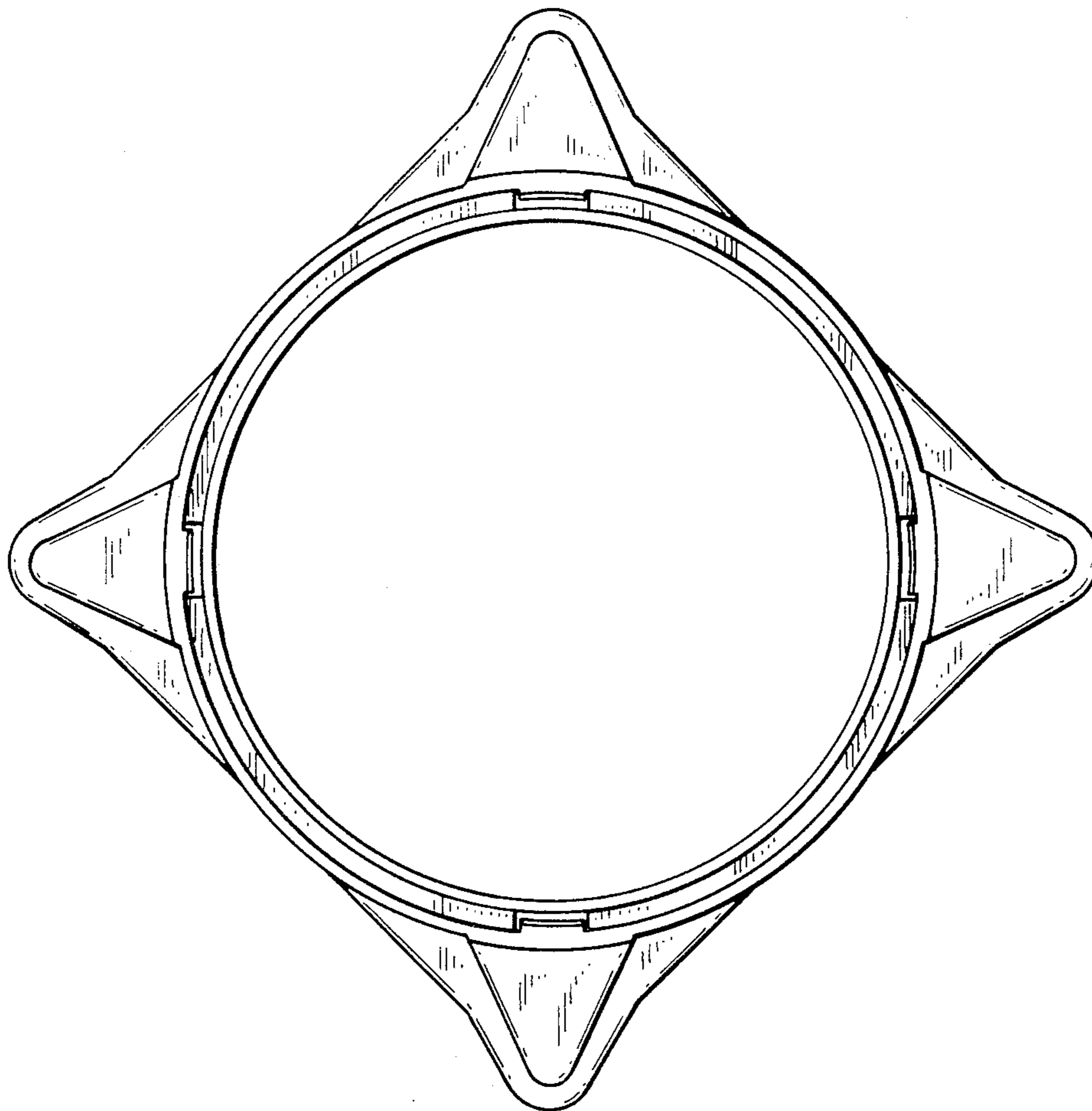


FIG. 2.

FIG. 3.

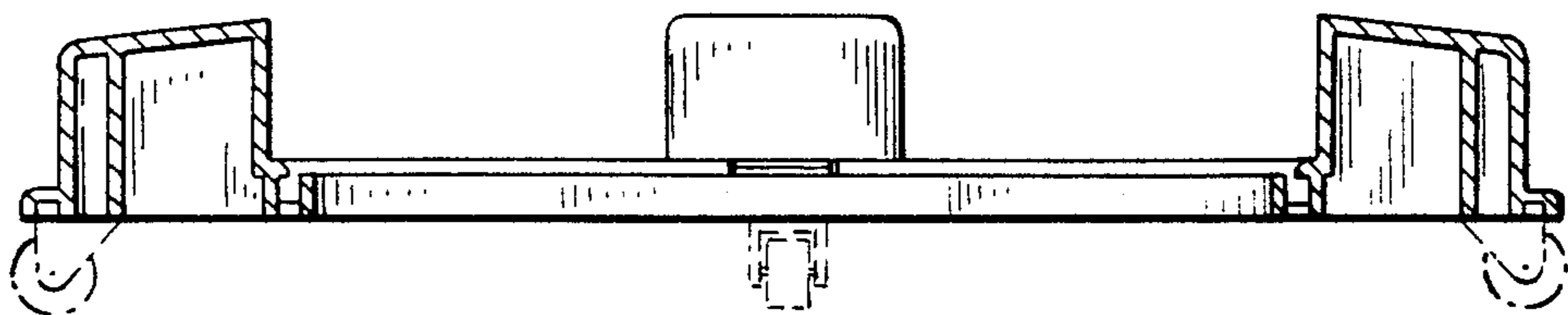
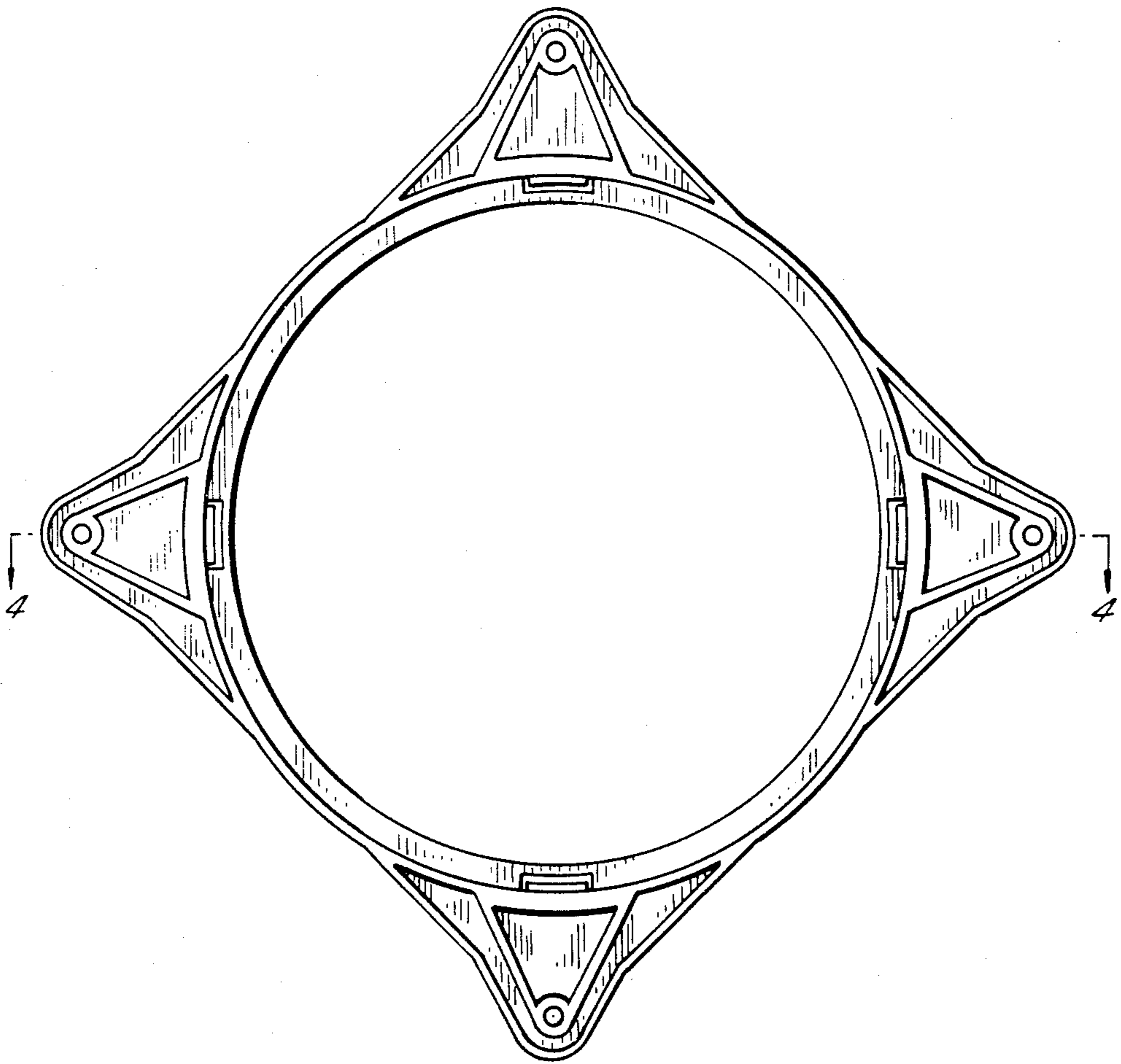


FIG. 4.

FIG. 5.

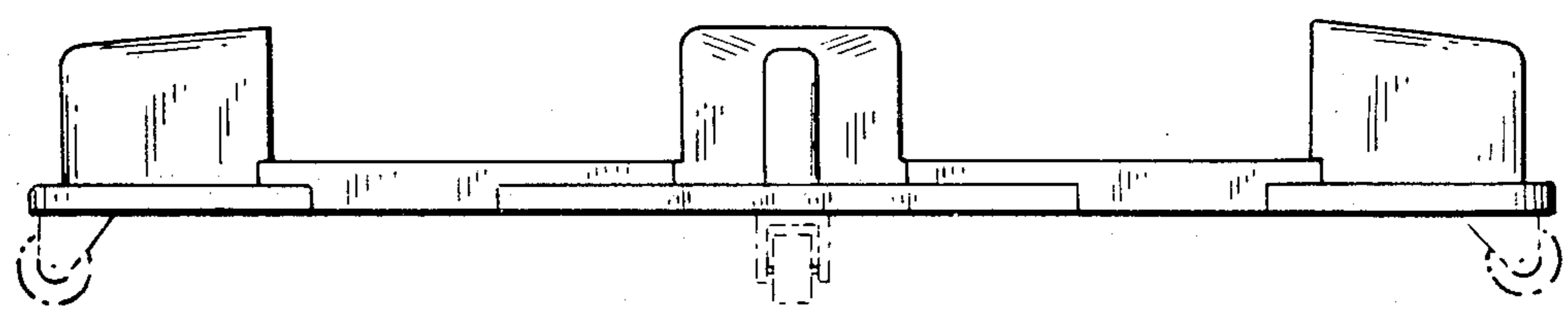
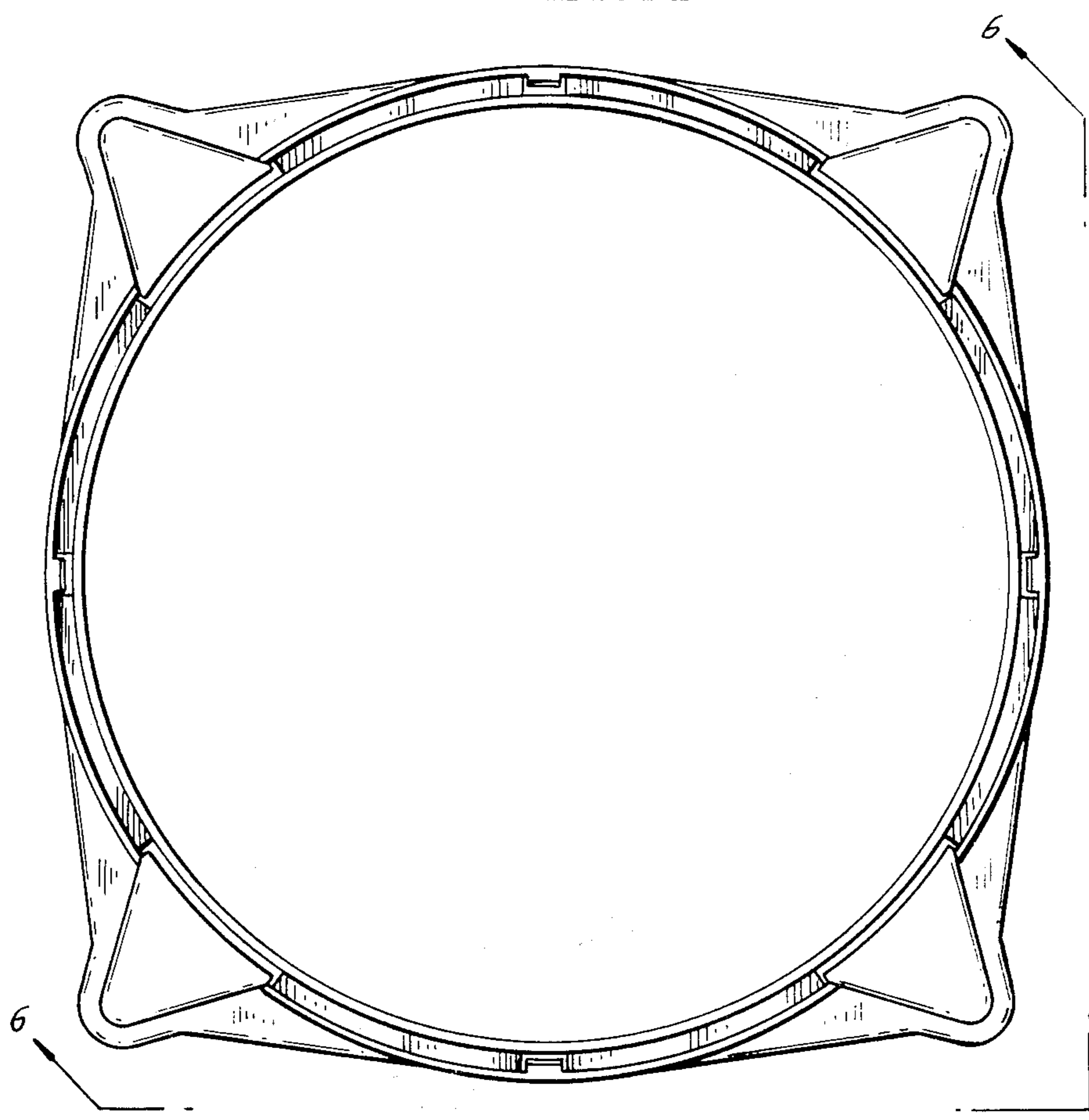


FIG. 6.

FIG. 7.

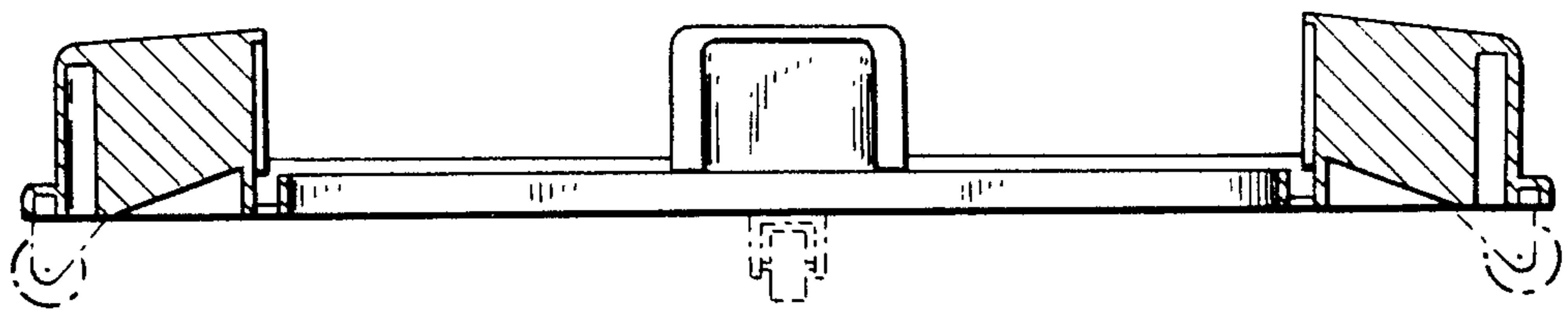
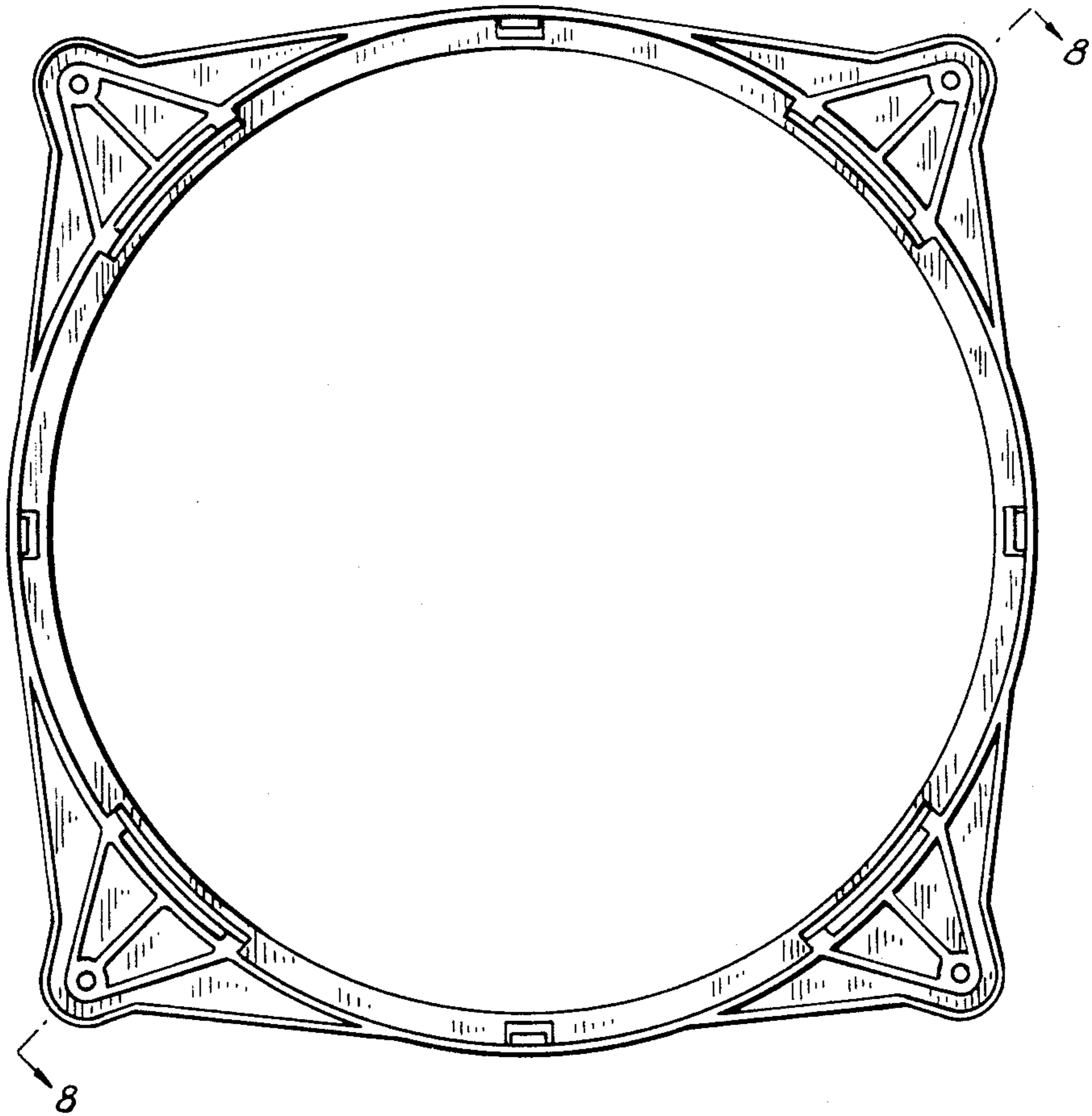


FIG. 8.