

[54] **HAIR DRYER**

[75] **Inventor: Benjamin H. Stansbury, Jr., Beverly Hills, Calif.**

[73] **Assignee: Redken Laboratories, Inc., Canoga Park, Calif.**

[**] **Term: 14 Years**

[21] **Appl. No.: 403,913**

[22] **Filed: Jul. 30, 1982**

[52] **U.S. Cl. D28/13**

[58] **Field of Search D28/9-18;
219/222; 132/7, 9; 34/96-101**

[56] **References Cited**

U.S. PATENT DOCUMENTS

- D. 241,379 9/1976 Miller D28/13
- D. 253,073 10/1979 Anderson D28/13
- D. 253,914 1/1980 Haase D28/13
- D. 268,369 3/1983 McBrien D28/13

D. 268,370 3/1983 McBrien D28/13

OTHER PUBLICATIONS

Modern Salon, 10/1980, p. 33, Hair Dryer at bottom.

Primary Examiner—Louis S. Zarfes
Attorney, Agent, or Firm—Christie, Parker & Hale

[57] **CLAIM**

The ornamental design for a hair dryer, substantially as shown and described.

DESCRIPTION

FIG. 1 is a perspective view of a hair dryer showing my new design;

FIG. 2 is a right side elevational view thereof;

FIG. 3 is a front end elevational view thereof;

FIG. 4 is a rear end elevational view thereof;

FIG. 5 is a top plan view thereof; and

FIG. 6 is a bottom plan view thereof.

The partial broken line showing of a power cord is illustrative of environment only.

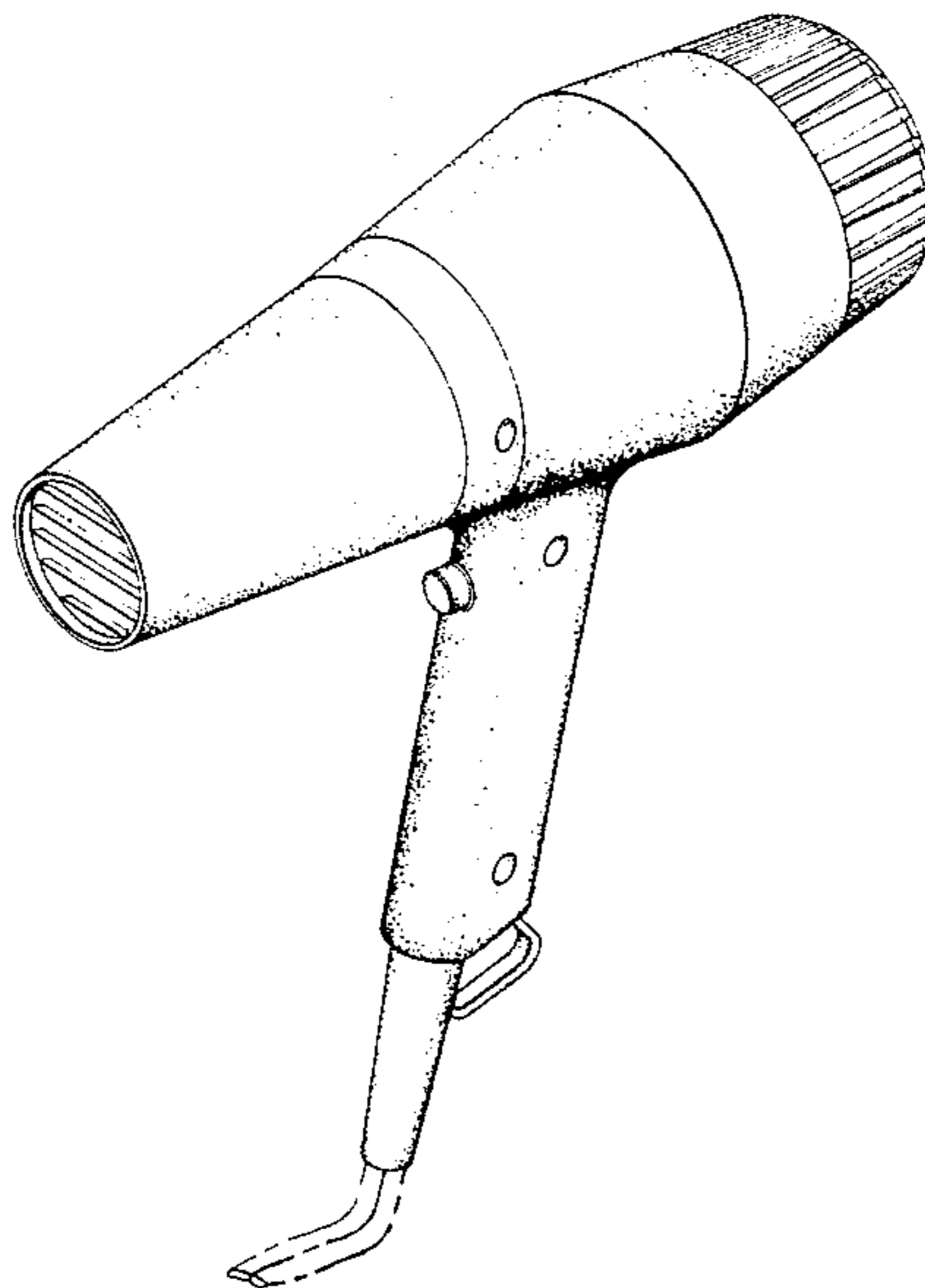


Fig. 1.

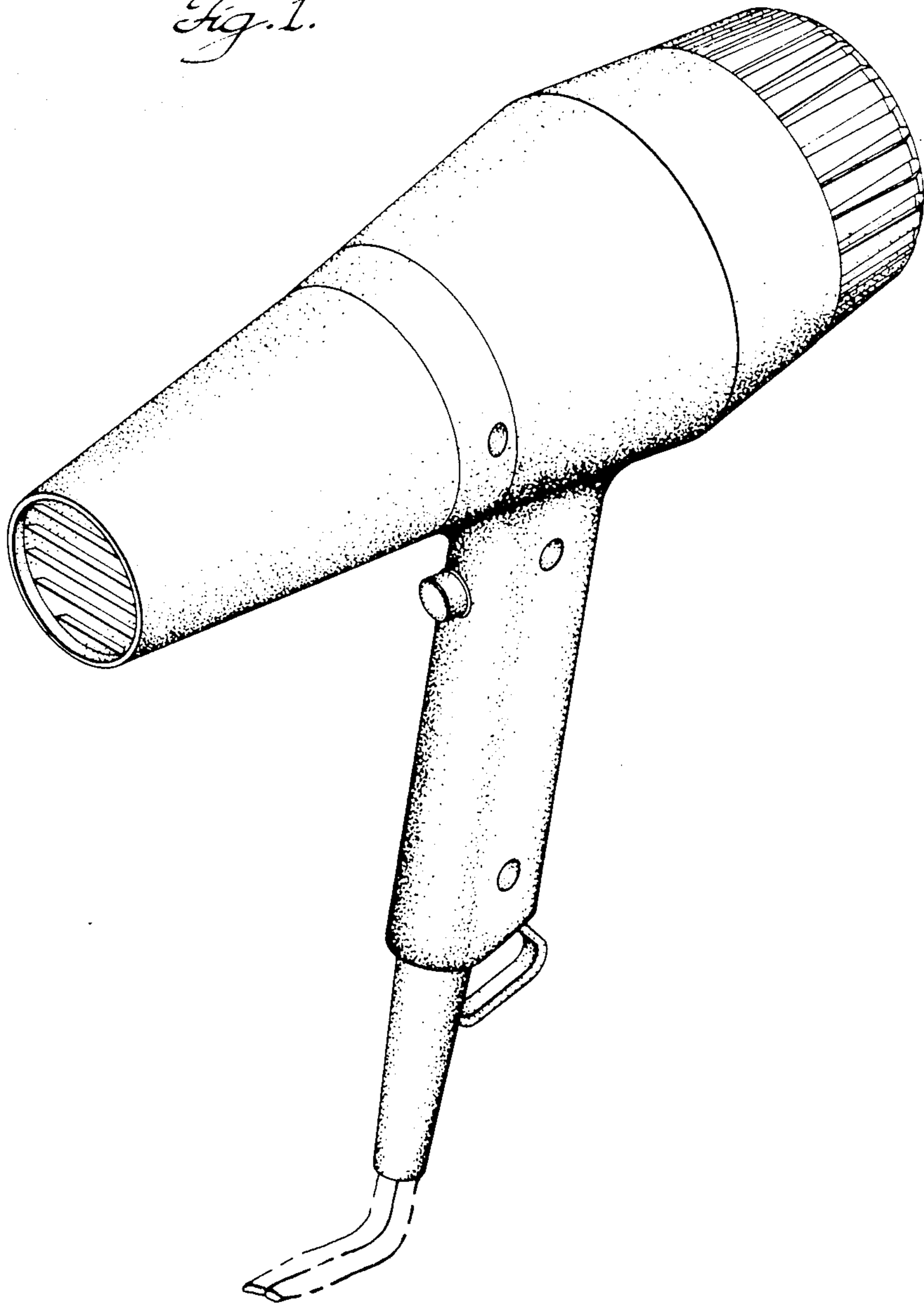


Fig. 2.

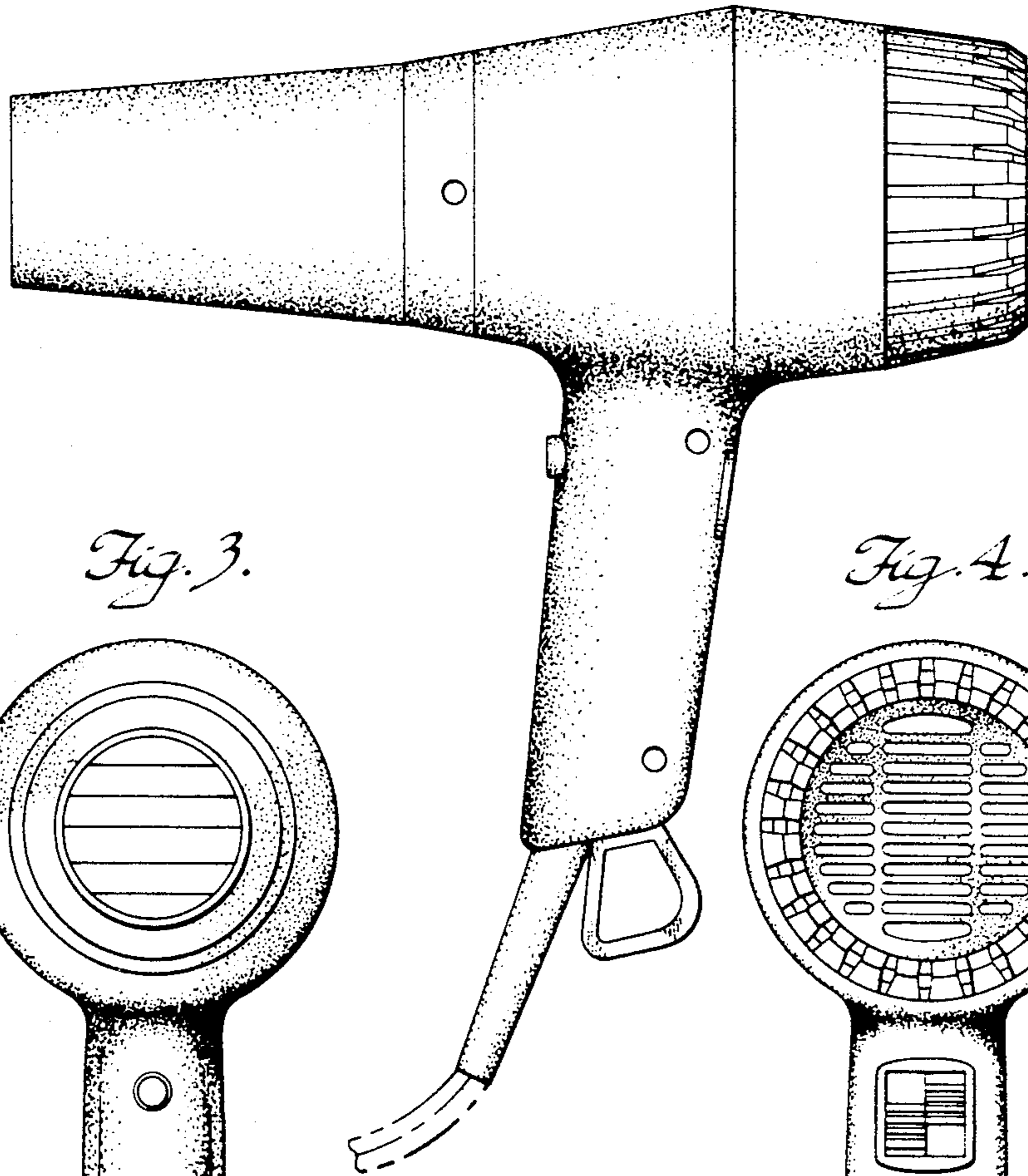


Fig. 3.

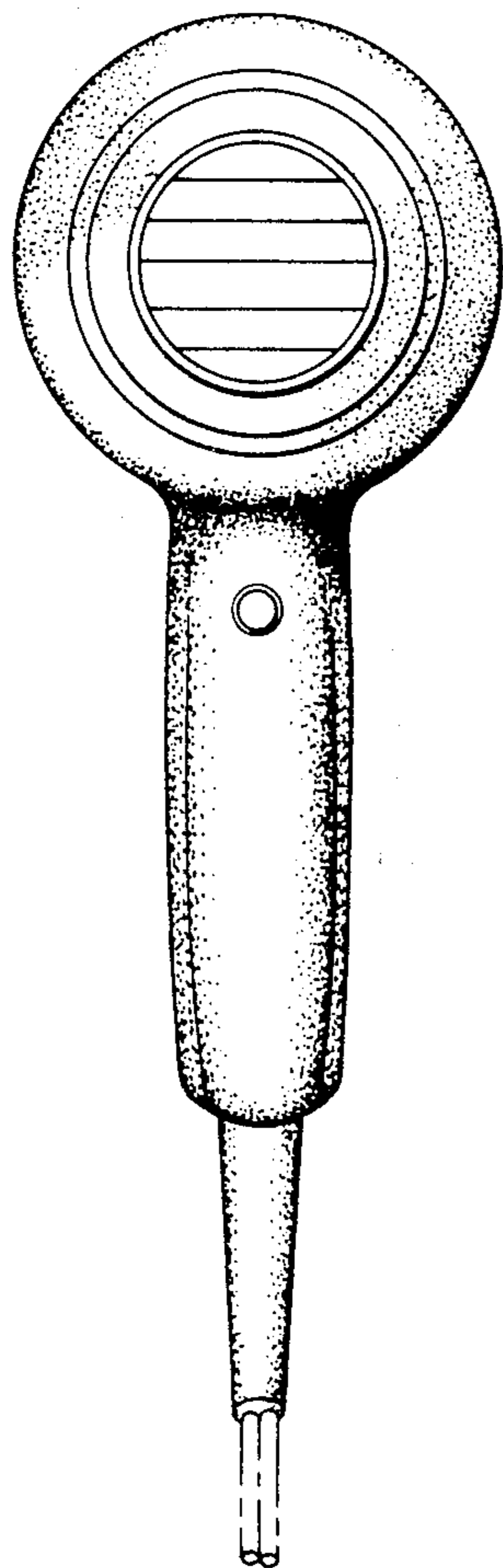


Fig. 4.

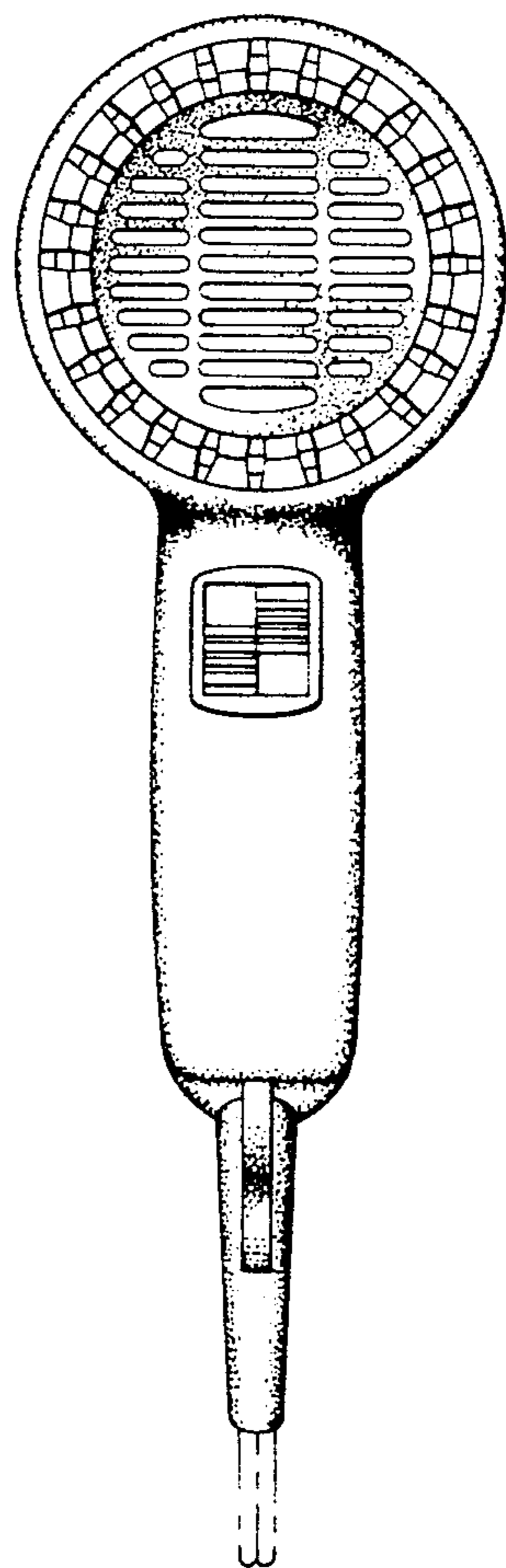


Fig. 5.

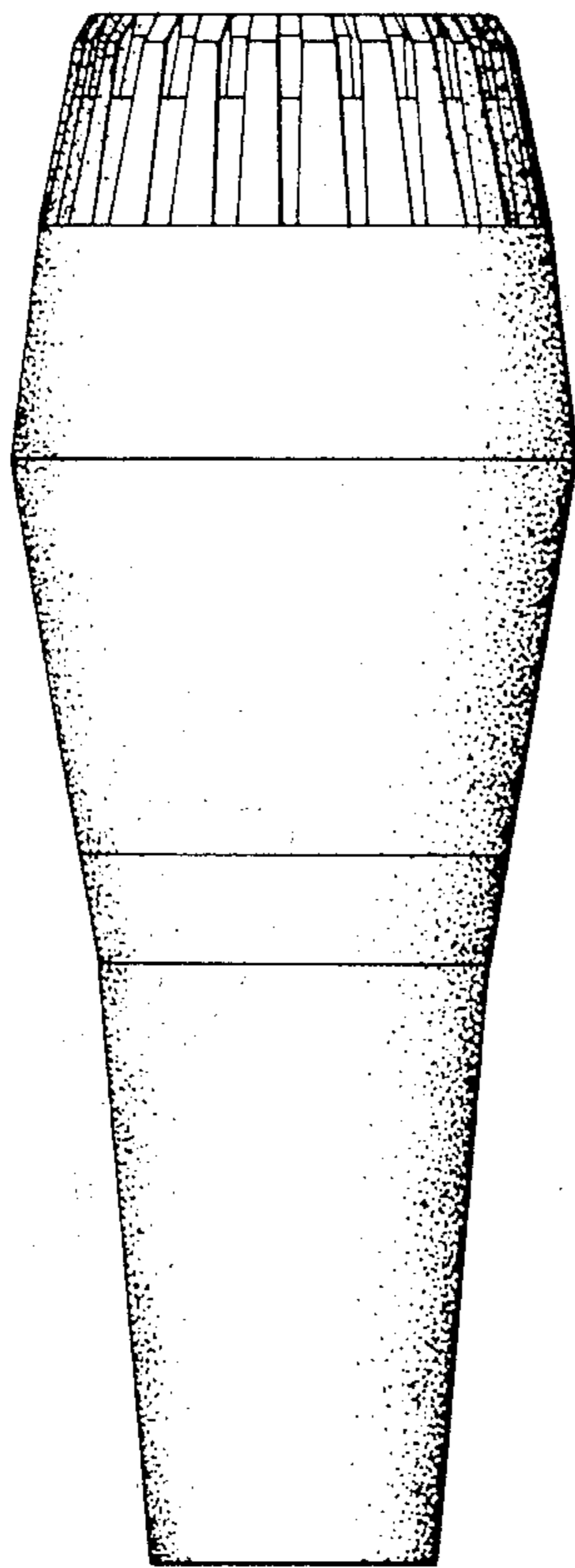


Fig. 6.

