

[54] MAGNIFIER LAMP

[75] Inventor: Ralf Andersson, Gothenburg, Sweden

[73] Assignees: Malon AB, Surte, Sweden; Ledu Corporation, Trumbull, Conn.

[\*\*] Term: 14 Years

[21] Appl. No.: 427,832

[22] Filed: Sep. 29, 1982

[52] U.S. Cl. .... D16/135; D26/51; D26/65

[58] Field of Search ..... D26/24, 60-66, D26/51; D16/135; 362/227, 235, 249, 250, 269, 277, 282, 283, 284, 285, 297, 300, 307, 413, 418, 419, 427, 428; 350/235, 236, 237

[56] References Cited

U.S. PATENT DOCUMENTS

D. 229,231 11/1973 Beeren ..... D16/135  
2,199,107 4/1940 Kibbe ..... 350/235 X

2,377,056 5/1945 Tontrup ..... 350/235

OTHER PUBLICATIONS

Circon Corp. Bulletin, 2-1-1973, Luminated Micromagnifier, #ML 5600.

Dazor Mfg. Corp. Floating Fixtures, Cat. #6300, 1964, p. 6, Magnifier with Fluores. Lighting, #208.

Primary Examiner—Susan J. Lucas

Attorney, Agent, or Firm—Eric Y. Munson

[57] CLAIM

The ornamental design for a magnifier lamp, as shown.

DESCRIPTION

FIG. 1 is a perspective view of a magnifier lamp showing my design,

FIG. 2 is a front elevation thereof,

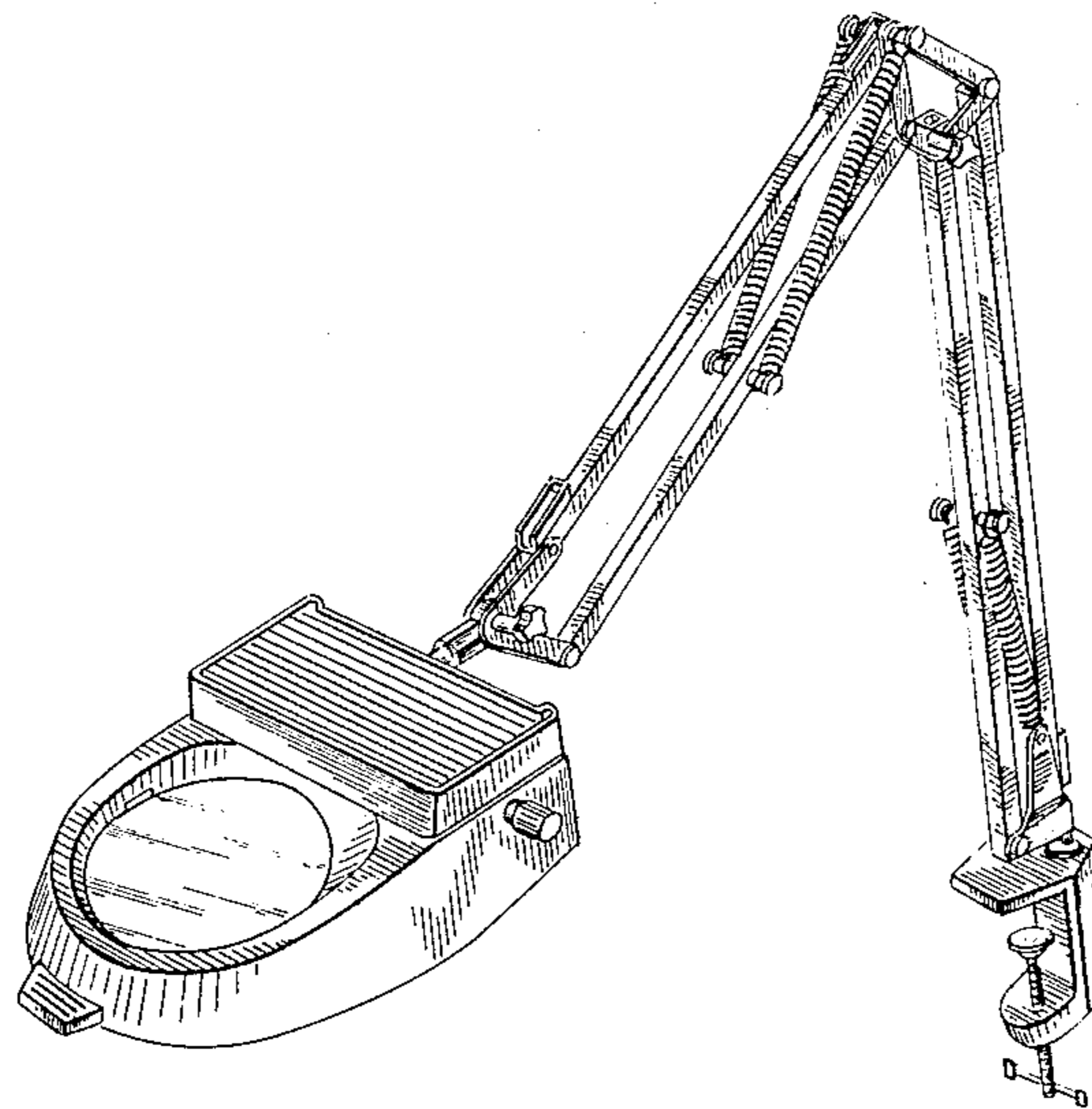
FIG. 3 is a left side elevation thereof,

FIG. 4 is a right side elevation thereof,

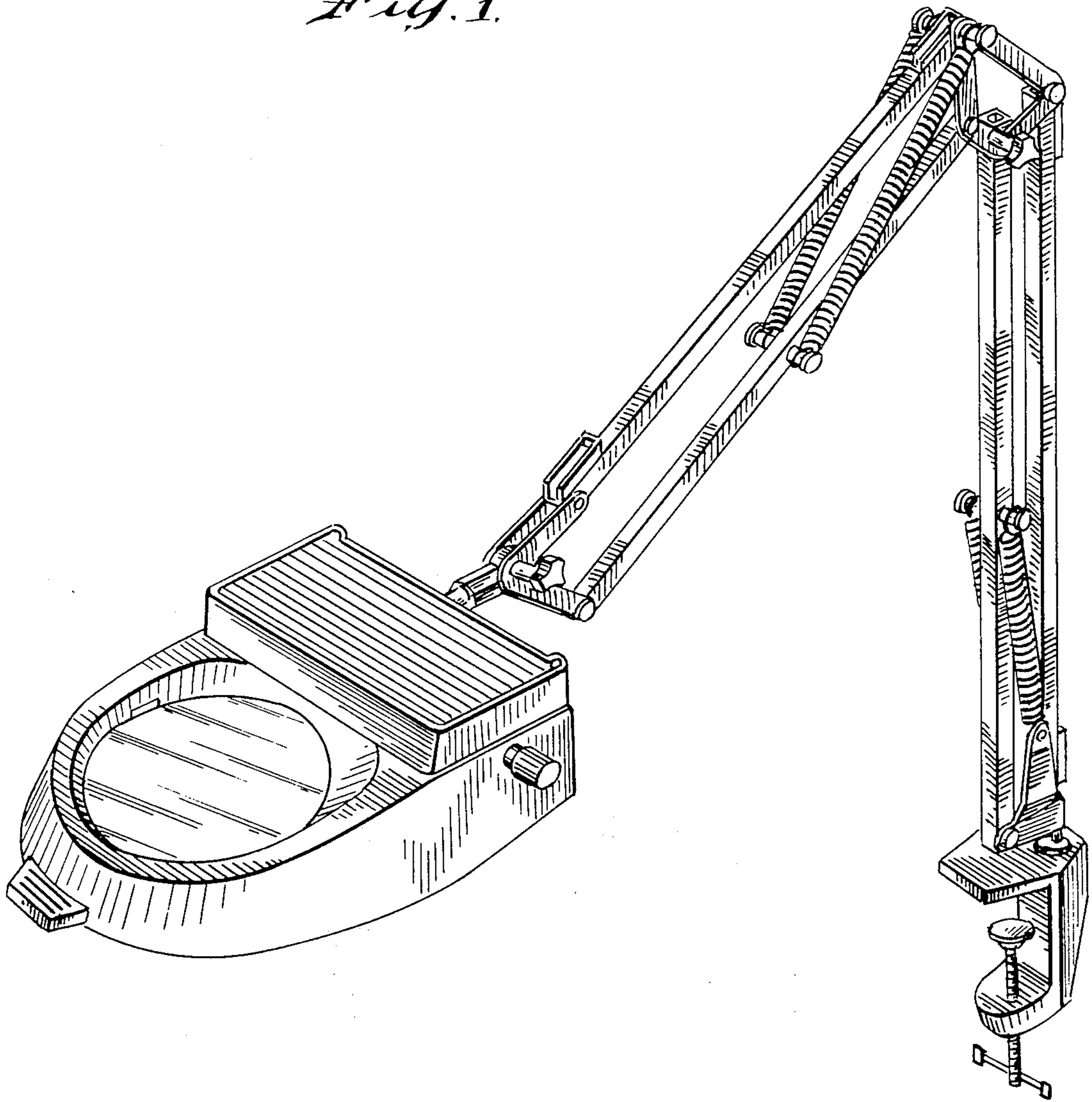
FIG. 5 is a top plan view thereof,

FIG. 6 is a rear elevation thereof, and

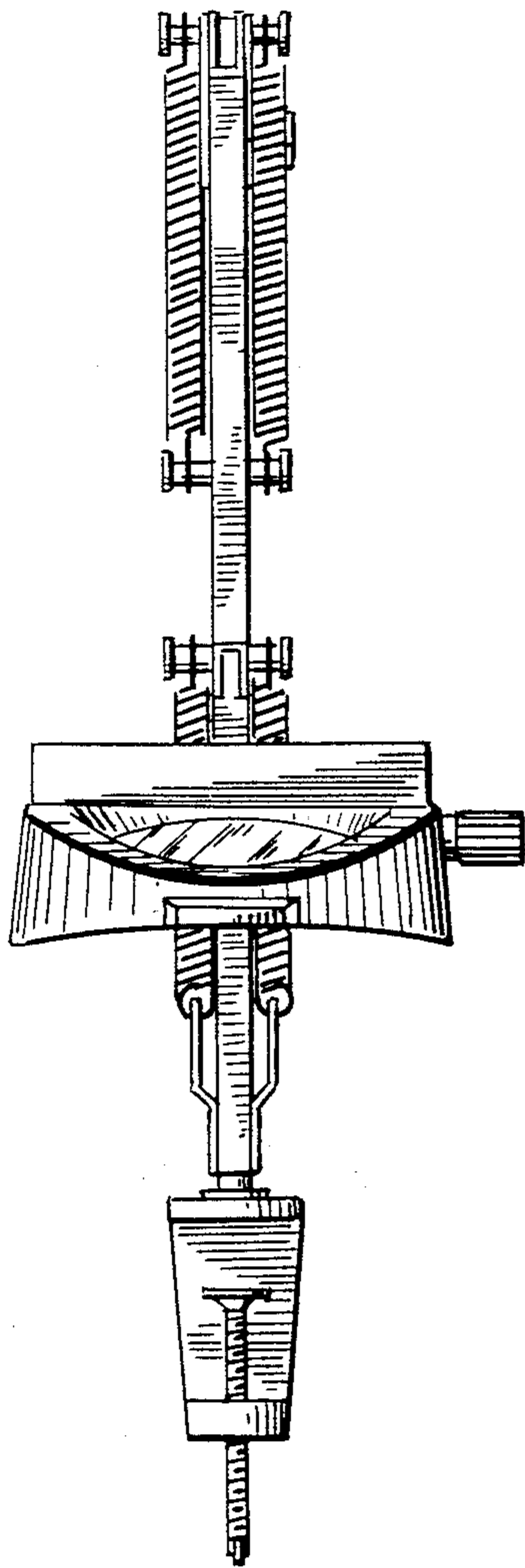
FIG. 7 is a bottom plan view thereof.



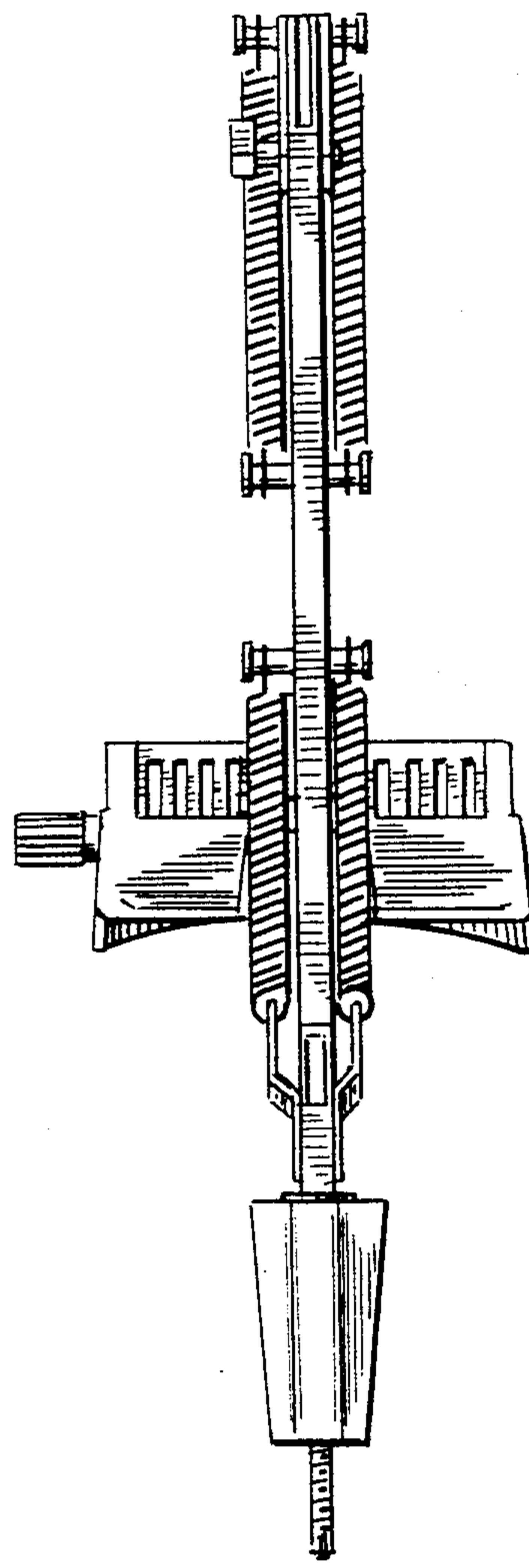
*Fig. 1.*

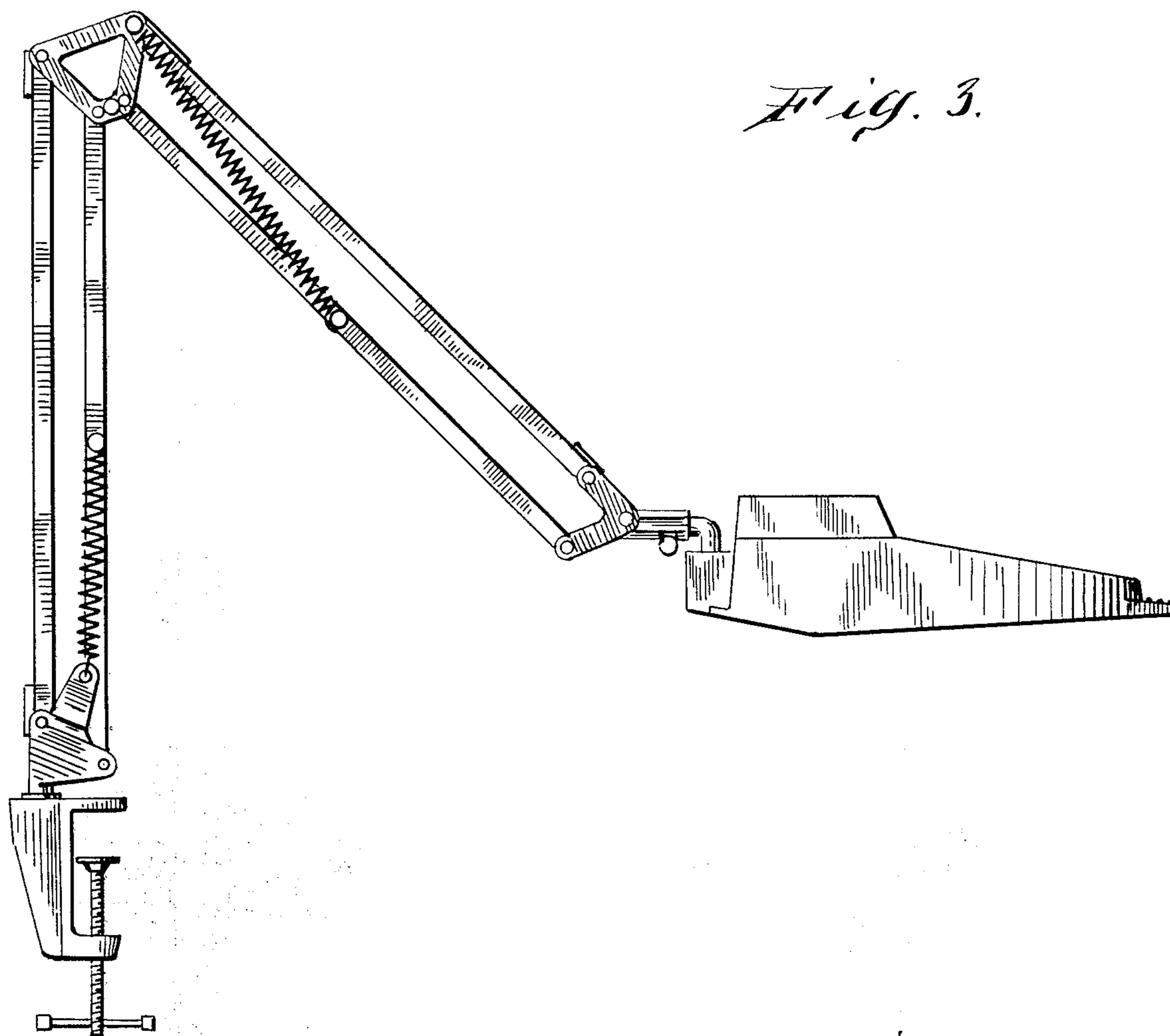


*Fig. 2.*

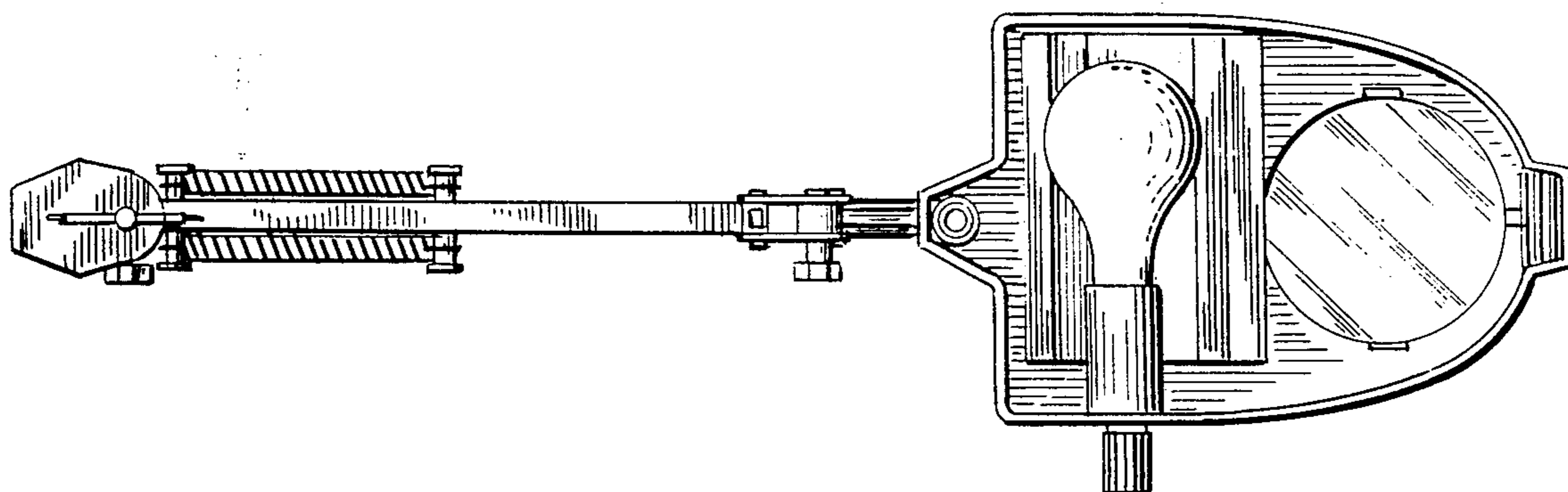


*Fig. 6.*





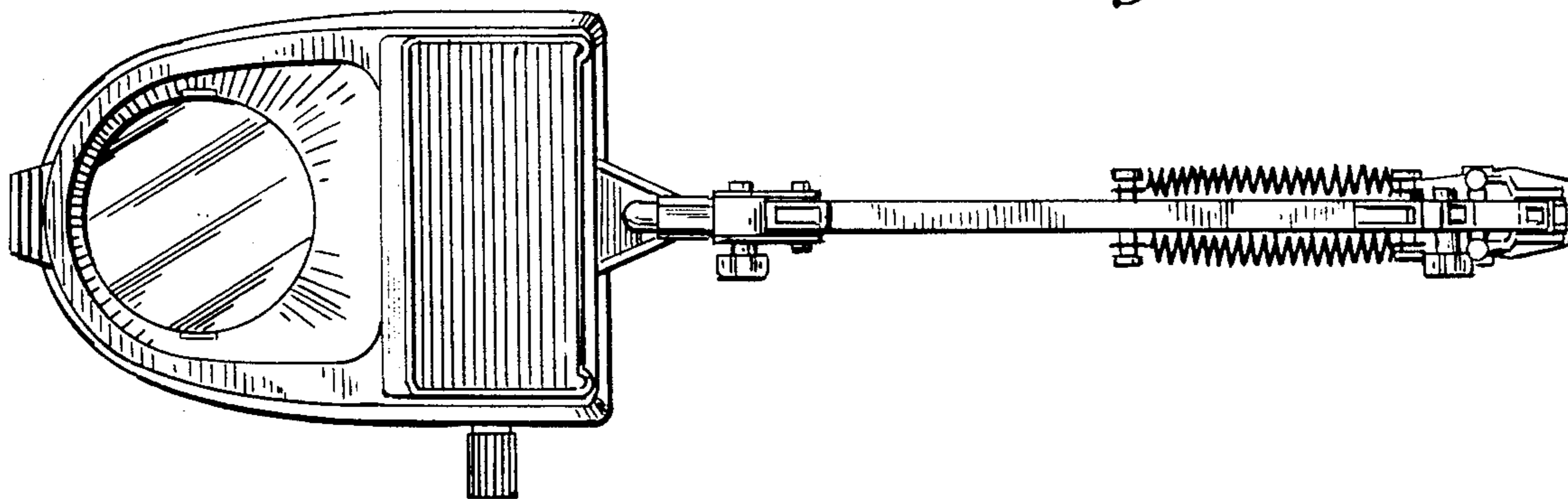
*Fig. 3.*



*Fig. 7.*



*Fig. 5.*



*Fig. 4.*

