

[54] PERSONAL DENTAL CARE APPLIANCE

[76] Inventor: John B. Fattaleh, 4937 N. 43rd St., Phoenix, Ariz. 85018

[**] Term: 14 Years

[21] Appl. No.: 377,238

[22] Filed: May 12, 1982

[52] U.S. Cl. D24/10; D4/15

[58] Field of Search D4/15, 16; D24/10, 12, D24/15; 15/22, 28; 433/114, 118, 122, 123, 125; 128/62 A

[56] References Cited

U.S. PATENT DOCUMENTS

- D. 197,048 12/1963 Troy D4/15
- D. 228,923 11/1973 Jausseno D4/15
- D. 237,187 10/1975 Fattaleh D4/15 X
- D. 250,662 12/1978 Reisman D4/15 X
- 3,187,360 6/1965 Spohr 15/22
- 3,921,298 11/1975 Fattaleh 32/59

4,432,729 2/1984 Fattaleh 15/22 R X

Primary Examiner—Catherine E. Kemper
Attorney, Agent, or Firm—Cates & Roediger

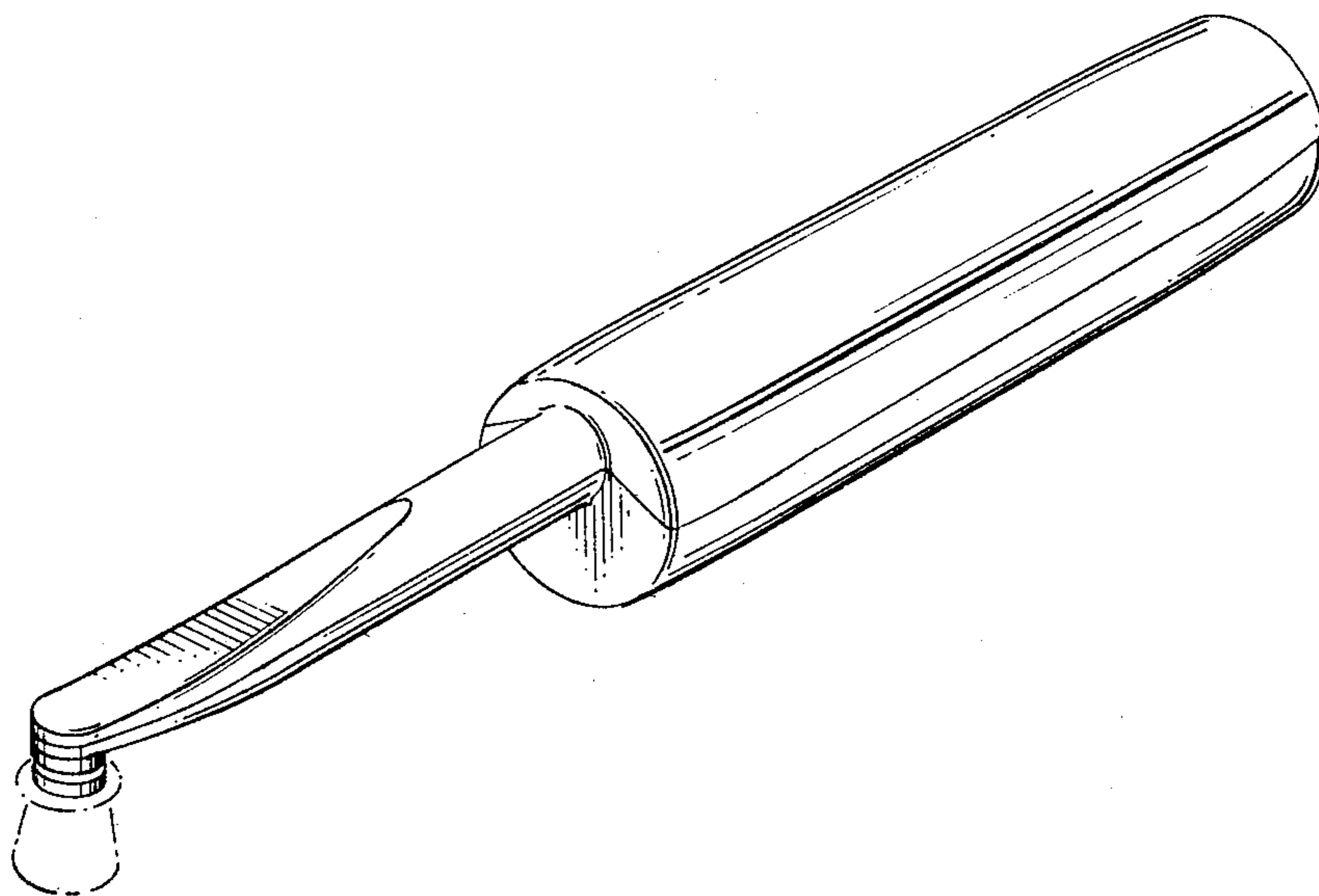
[57] CLAIM

The ornamental design for a personal dental care appliance, substantially as shown and described.

DESCRIPTION

FIG. 1 is a top perspective view of a personal dental care appliance showing my new design; FIG. 2 is an end elevational view thereof; FIG. 3 is a top plan view thereof; FIG. 4 is a side elevational view thereof; FIG. 5 is a bottom plan view thereof; and FIG. 6 is a side elevational view of a second embodiment on a reduced scale of my new design for a personal dental care appliance.

The broken line disclosure in FIGS. 1, 4 and 5 is for illustrative purposes only and forms no part of the claimed design.



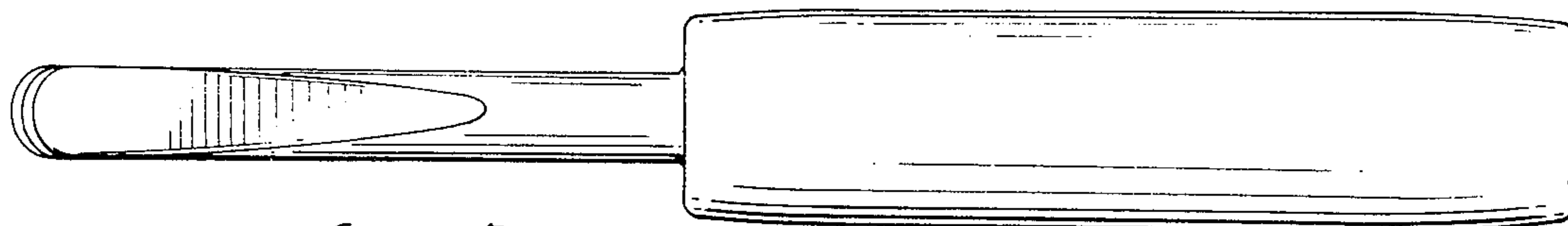
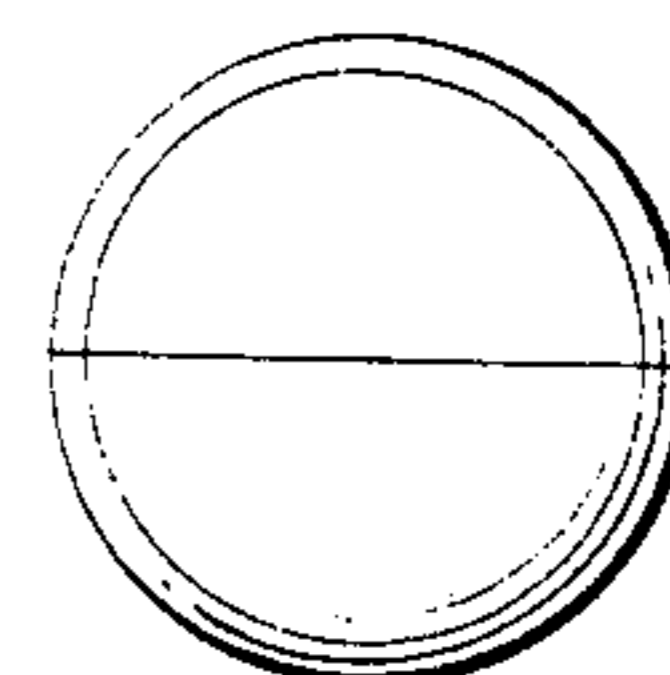
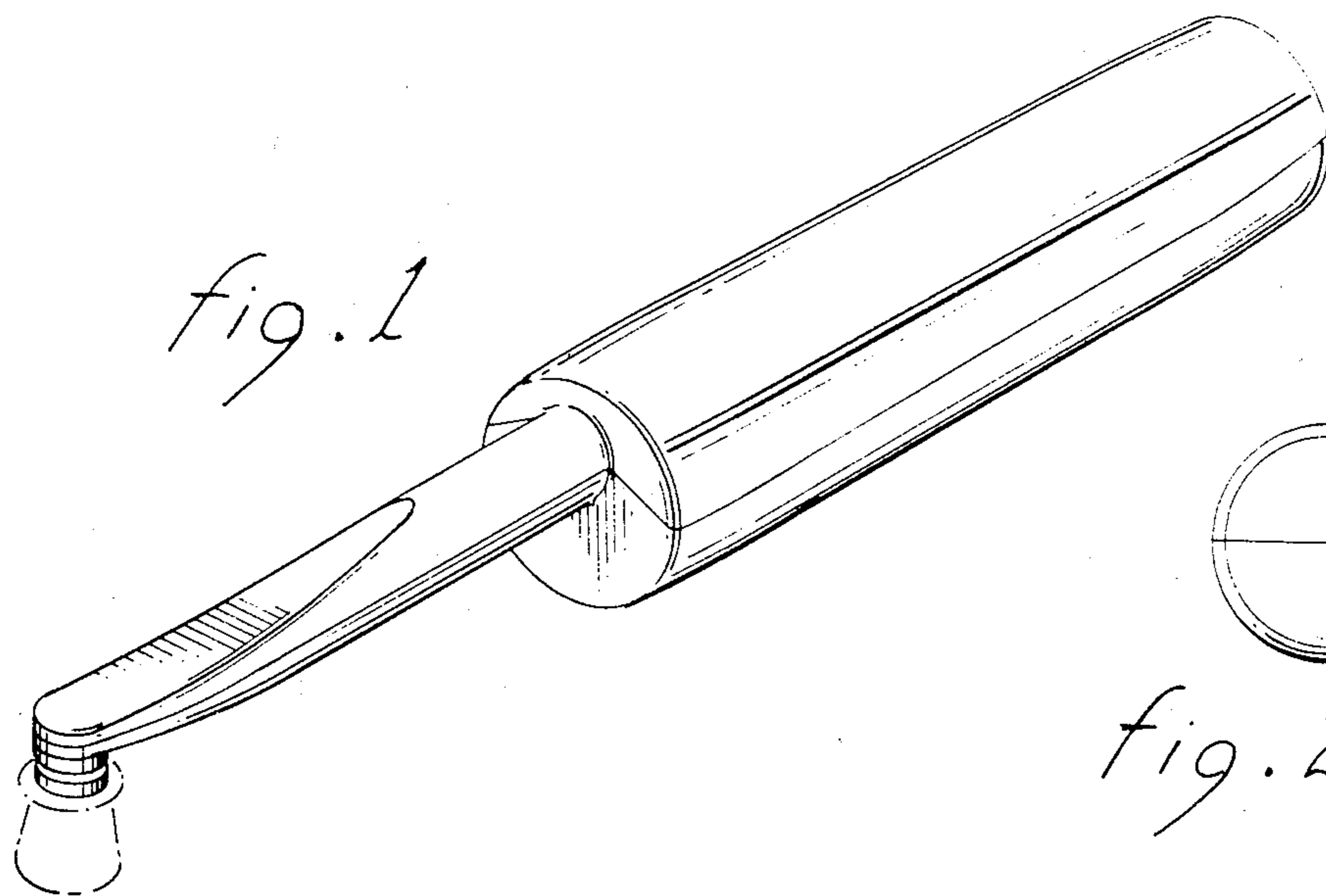


fig. 3

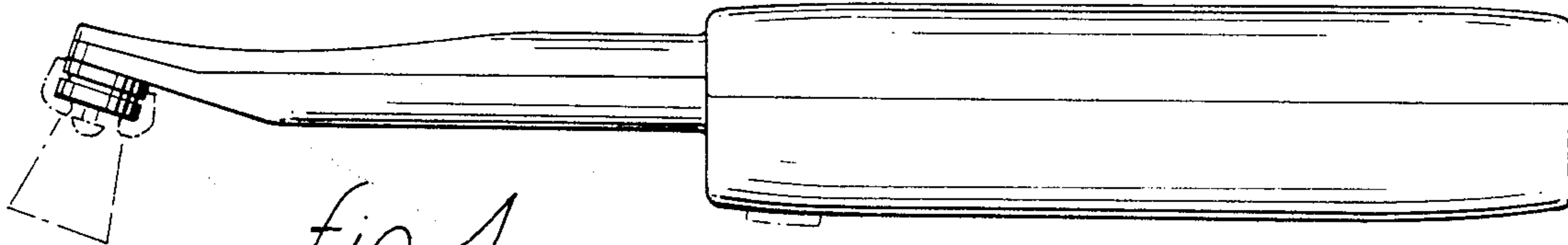


fig. 4

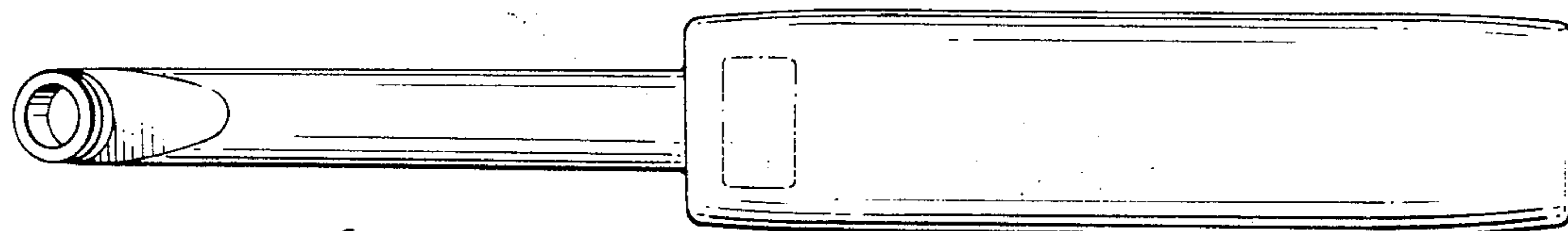


fig. 5

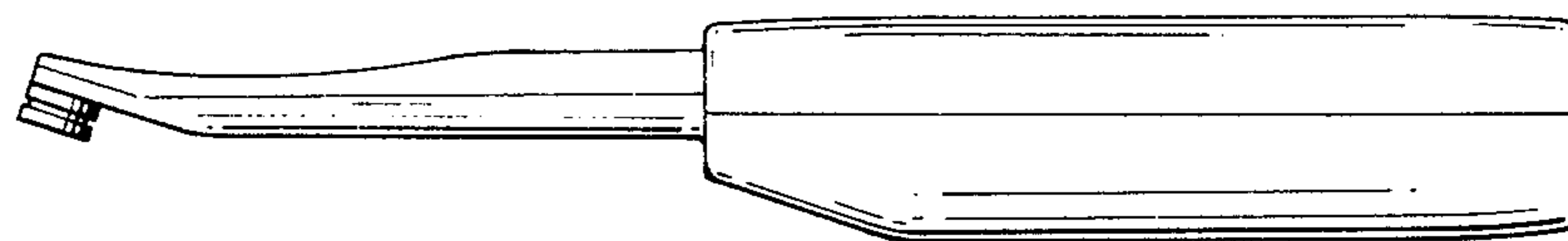


fig. 6