

[54] **COMMODE CHAIR**

[76] Inventor: **Andrew Bard**, 9210 W. Broward Blvd., Plantation, Fla. 33324

[**] Term: **14 Years**

[21] Appl. No.: **363,568**

[22] Filed: **Mar. 30, 1982**

[52] U.S. Cl. **D23/48**

[58] Field of Search **D23/48, 51-54; 4/449, 479, 480, 483, 484**

D. 265,119	6/1982	Hurley	D23/48
2,745,112	5/1956	Bindbeutel	4/483
3,795,923	3/1974	Thomas	4/483
3,829,908	8/1974	Thomas	4/483
3,854,773	12/1974	Thomas	4/480 X
4,287,619	9/1981	Brewer et al.	4/483

Primary Examiner—James R. Largen
Attorney, Agent, or Firm—Leonard Bloom

[57] **CLAIM**

The ornamental design for a commode chair, substantially as shown and described.

DESCRIPTION

FIG. 1 is a perspective view taken from the top, front and right side of a commode chair showing my new design;

FIG. 2 is a bottom plan view thereof; and

FIG. 3 is a rear elevational view thereof.

[56] **References Cited**

U.S. PATENT DOCUMENTS

D. 234,769	4/1975	Thomas	D23/48
D. 236,345	8/1975	Thomas	D23/48
D. 260,583	9/1981	Brewer	D23/48 X
D. 264,618	5/1982	Hurley	D23/48

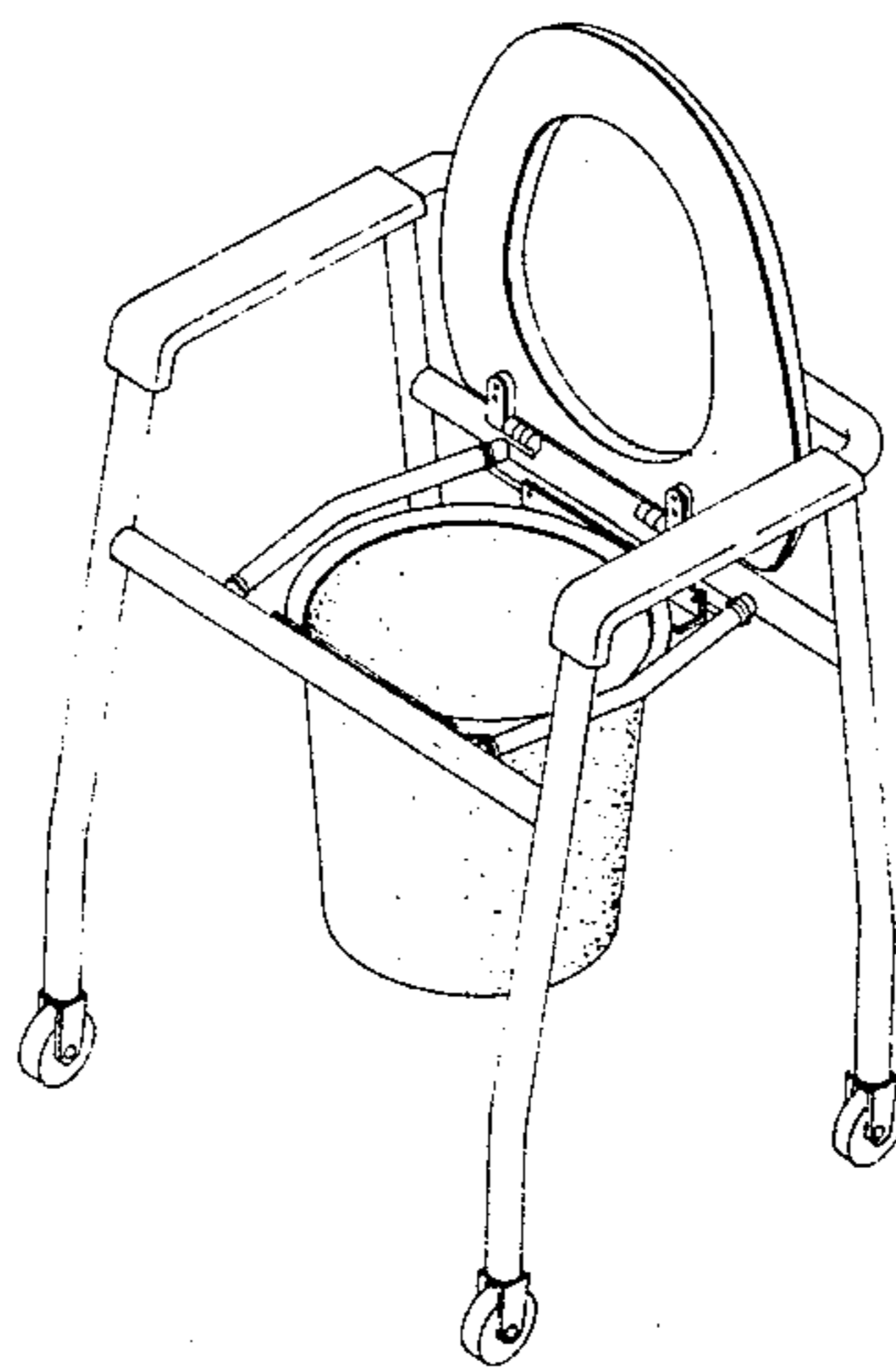


FIG 1

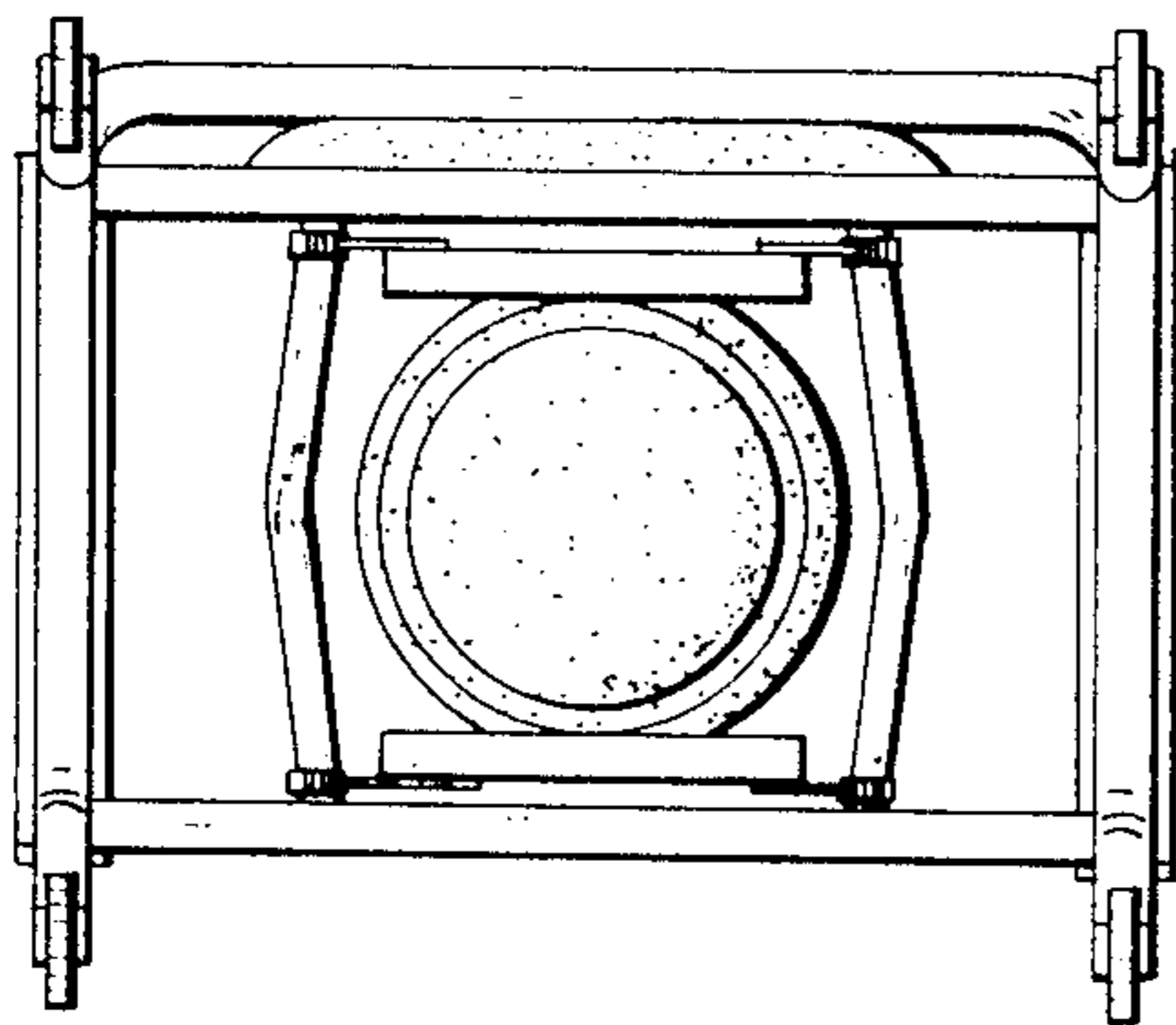
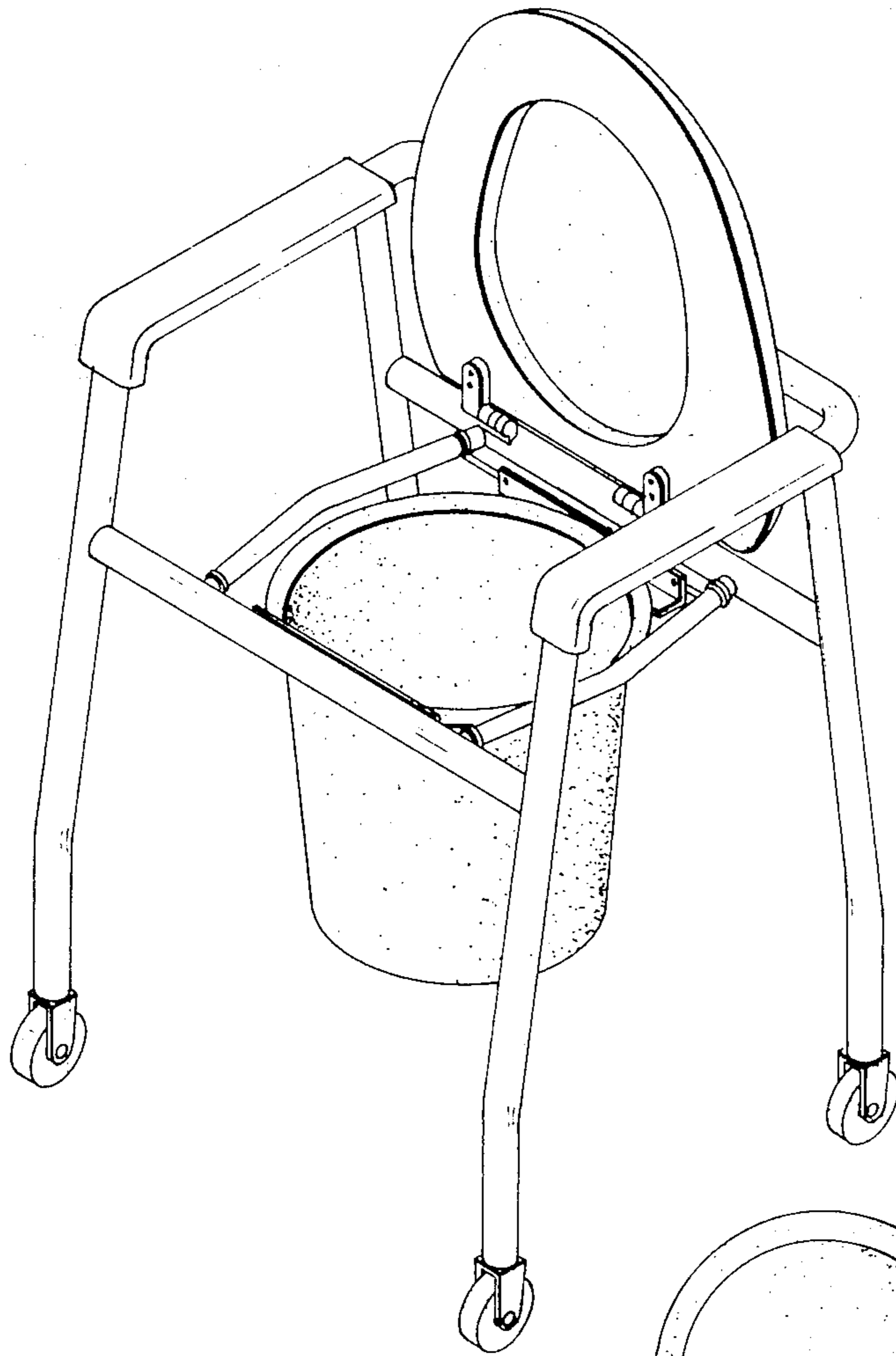


FIG 2

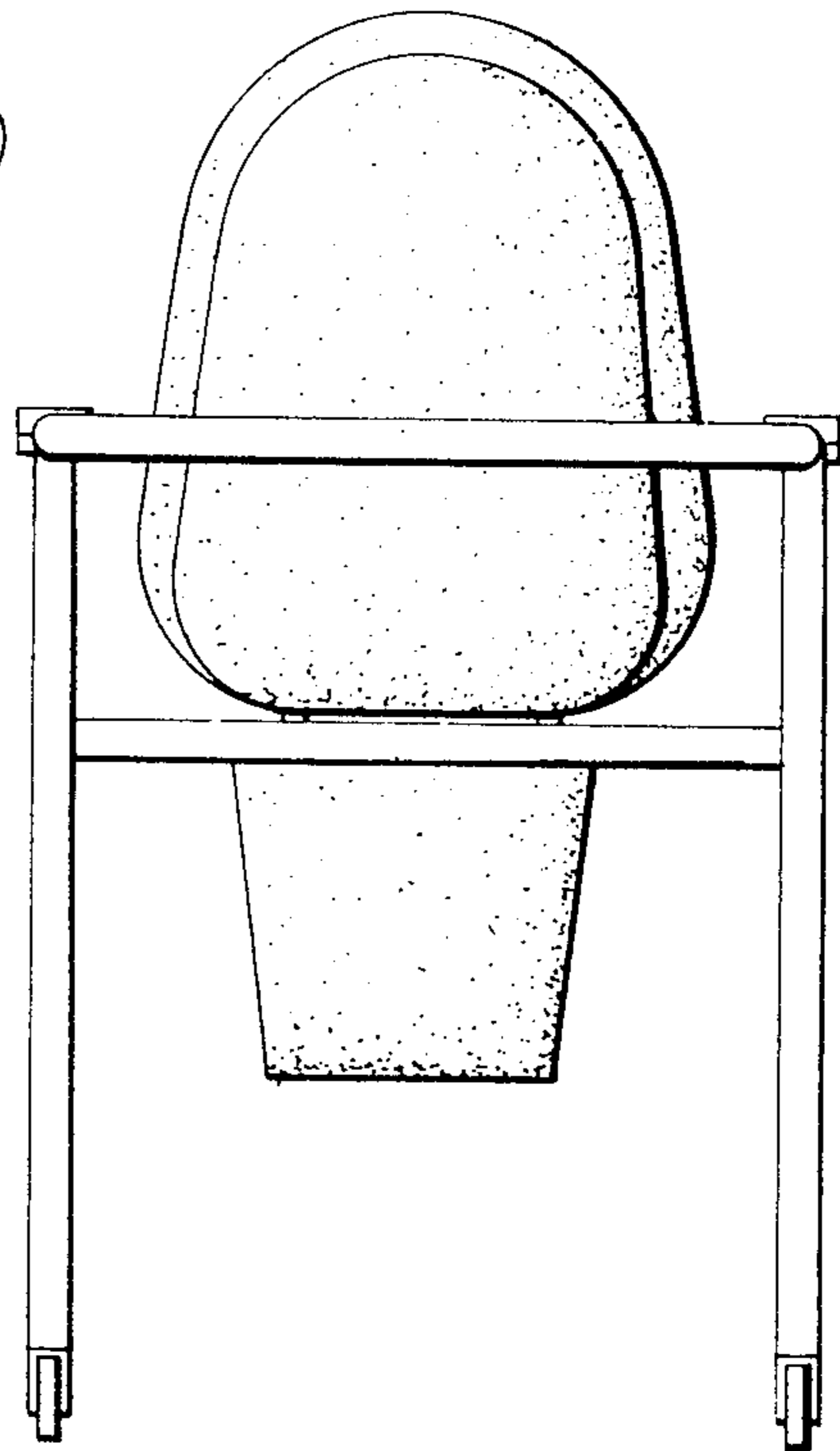


FIG 3