

[54] TOY SWING FOR DOLLS OR THE LIKE

[76] Inventor: Clarence G. Bolin, P.O. Box 368, Rte. 1, Ellabelle, Ga. 31308

[\*\*] Term: 14 Years

[21] Appl. No.: 408,617

[22] Filed: Aug. 16, 1982

[52] U.S. Cl. .... D21/346, D6/370

[58] Field of Search ..... D6/52, 54; D21/109, D21/122, 124; 46/1 R, 14, 39, 174

[56] References Cited

U.S. PATENT DOCUMENTS

- D. 83,587 3/1931 Weaver ..... D6/52
- D. 141,676 6/1945 Cosme ..... D6/52

OTHER PUBLICATIONS

Sears Xmas. Catalog, 1980, p. 607, Toy Swing for Dolls.

Primary Examiner—Charles A. Rademaker

[57] CLAIM

The ornamental design for a toy swing for dolls or the like, as shown and described.

DESCRIPTION

FIG. 1 is a perspective view of a toy swing for dolls or the like showing my new design;

FIG. 2 is a right side elevational view thereof, the side opposite being substantially a mirror image;

FIG. 3 is a front elevational view thereof, the rear being substantially a mirror image;

FIG. 4 is a cross-sectional view thereof taken along line 4—4 in FIG. 3; and,

FIG. 5 is a cross-sectional view thereof taken along line 5—5 in FIG. 2.

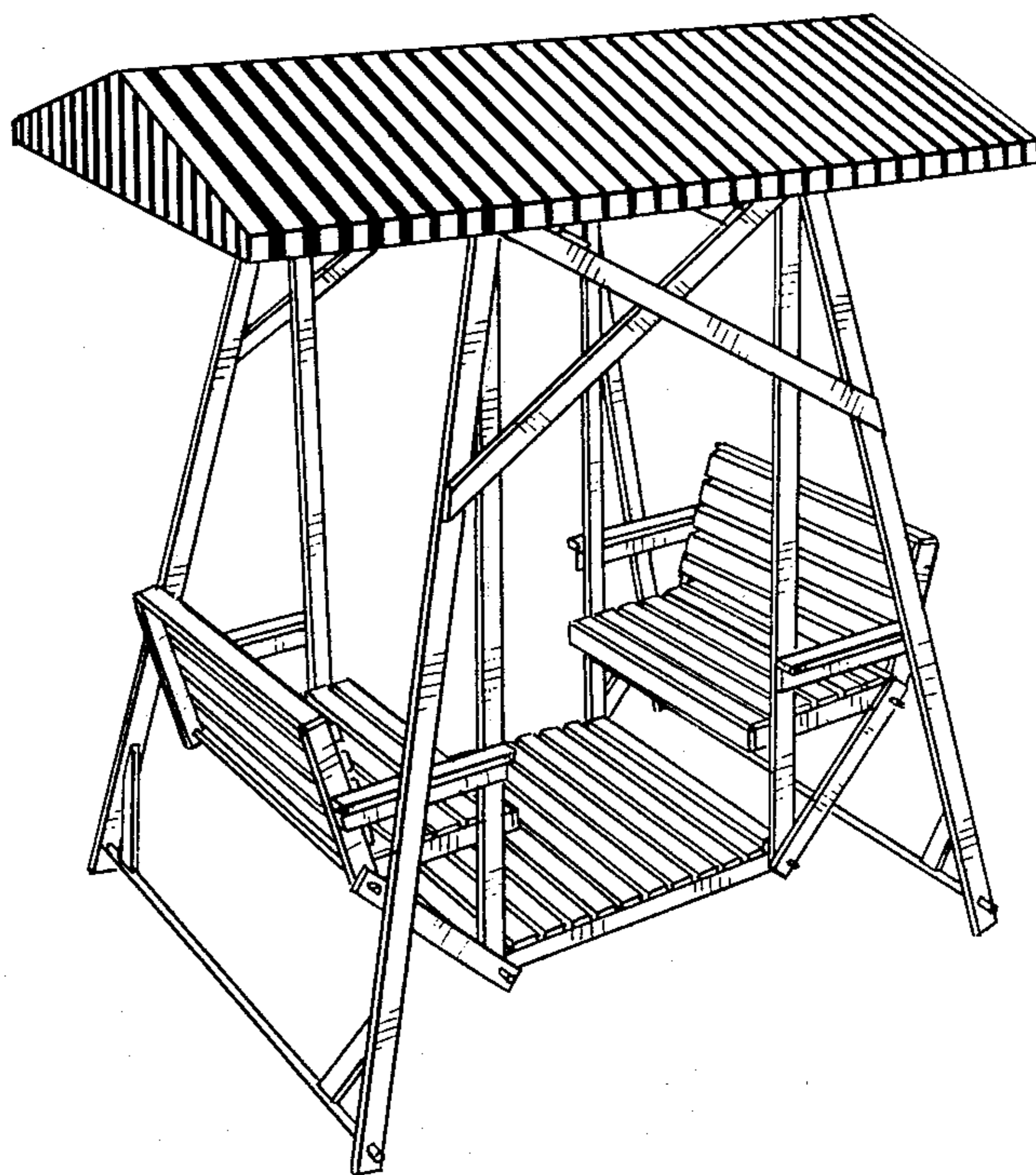


Fig. 1.

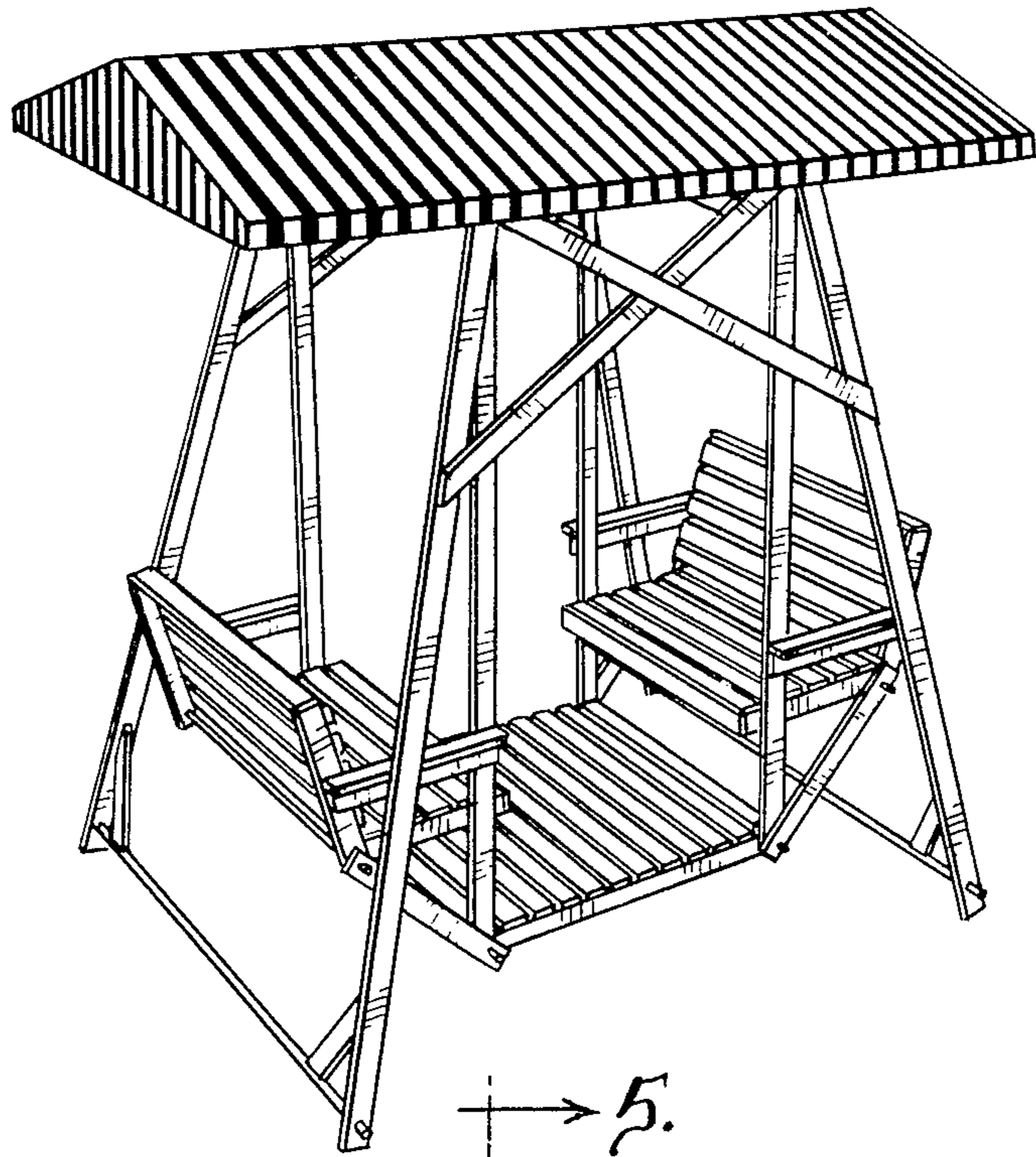


Fig. 2.

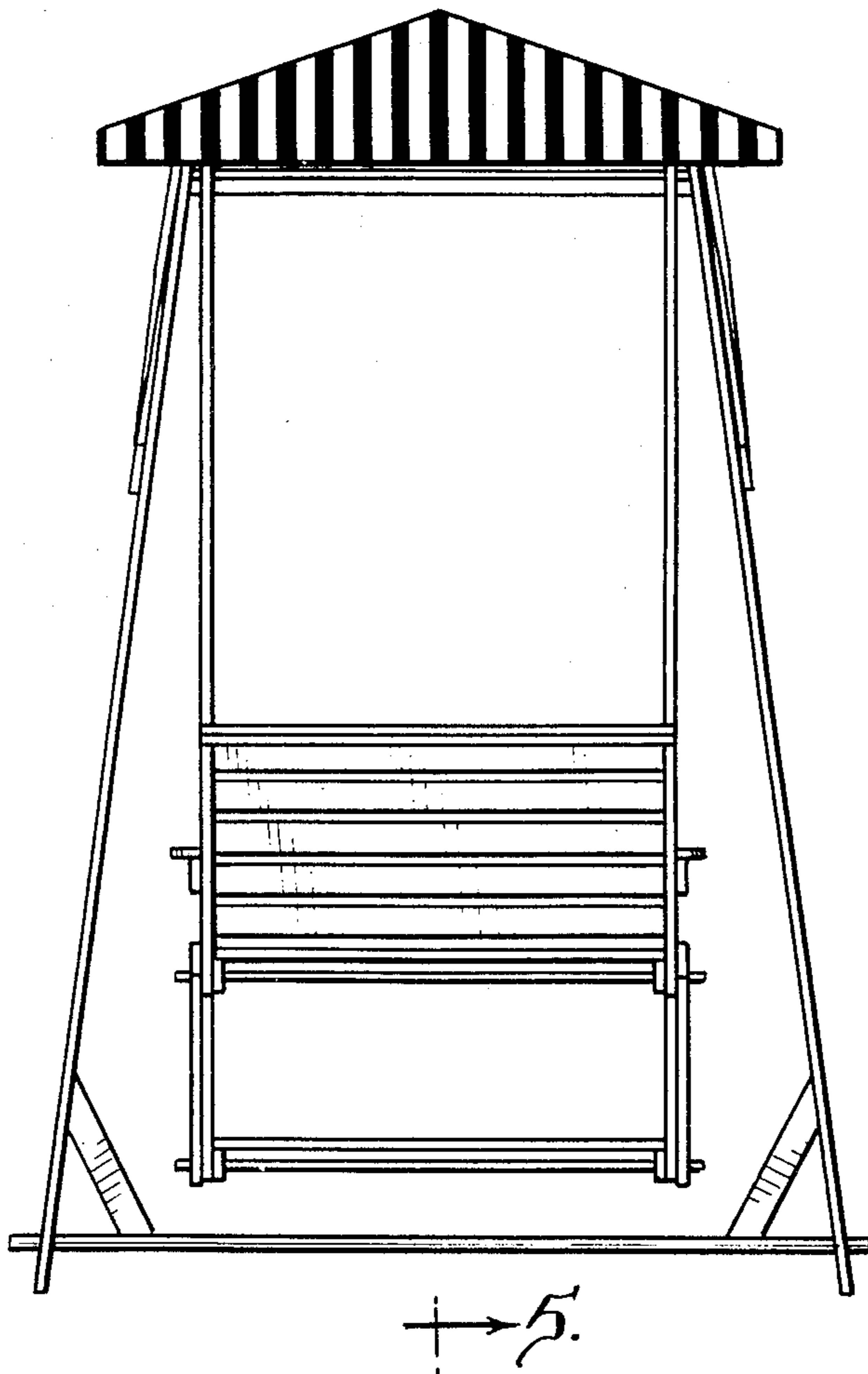


Fig. 3

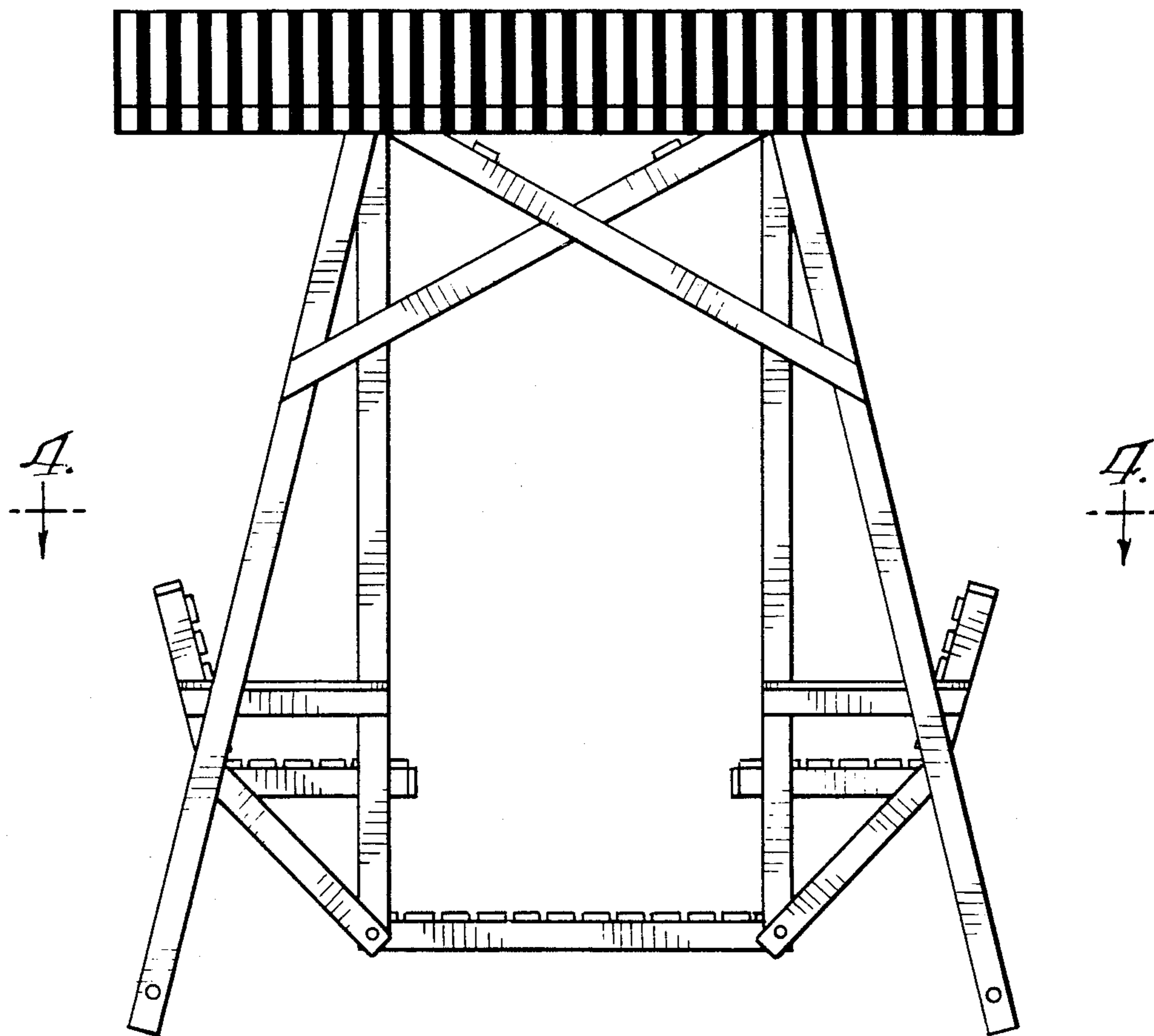
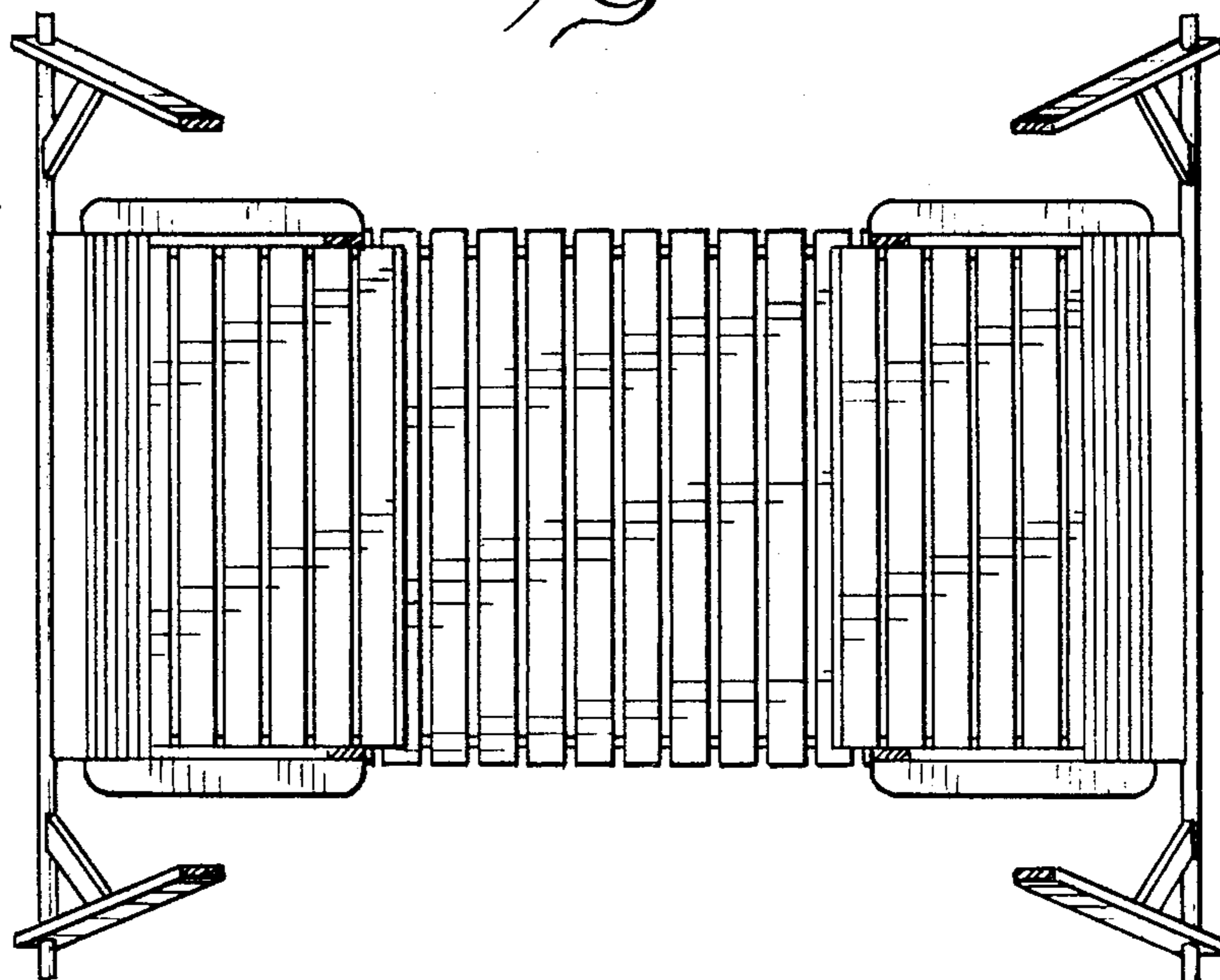


Fig. 4



*Fig. 5.*

