

[54] SLIDABLE RETAINER FOR A FLEXIBLE POST BINDER

[75] Inventors: Loren J. Hulber, Edina, Minn.; William D. Stuert, Glenview, Ill.

[73] Assignee: Jostens, Inc., Minneapolis, Minn.

[**] Term: 14 Years

[21] Appl. No.: 428,425

[22] Filed: Sep. 29, 1982

[52] U.S. Cl. D19/32

[58] Field of Search D19/32; 402/17, 64, 402/65; 312/184

[56] References Cited

U.S. PATENT DOCUMENTS

3,042,985	7/1962	Dalferes	402/17
3,582,224	6/1971	Schade	402/17
3,628,877	12/1971	Barnes, Jr.	402/17
3,776,648	12/1973	Price	402/17
3,957,321	5/1976	Rose	312/184
4,302,123	11/1981	Dengler et al.	402/17 X

FOREIGN PATENT DOCUMENTS

556755 12/1974 Switzerland 402/17

Primary Examiner—Bernard Ansher
Assistant Examiner—Theodore M. Shooman
Attorney, Agent, or Firm—Schroeder, Siegfried, Vidas & Arrett

[57] CLAIM

The ornamental design for a slidable retainer for a flexible post binder, as shown and described.

DESCRIPTION

FIG. 1 is a perspective view of a slidable retainer for a flexible post binder showing our new design, it being understood that the broken lines are for illustration purposes only;

FIG. 2 is an enlarged perspective view thereof;

FIG. 3 is a right end elevational view, the left end elevational view being a mirror image thereof;

FIG. 4 is a front elevational view thereof;

FIG. 5 is a rear elevational view thereof; and

FIG. 6 is a top plan view, the bottom view being a mirror image thereof.

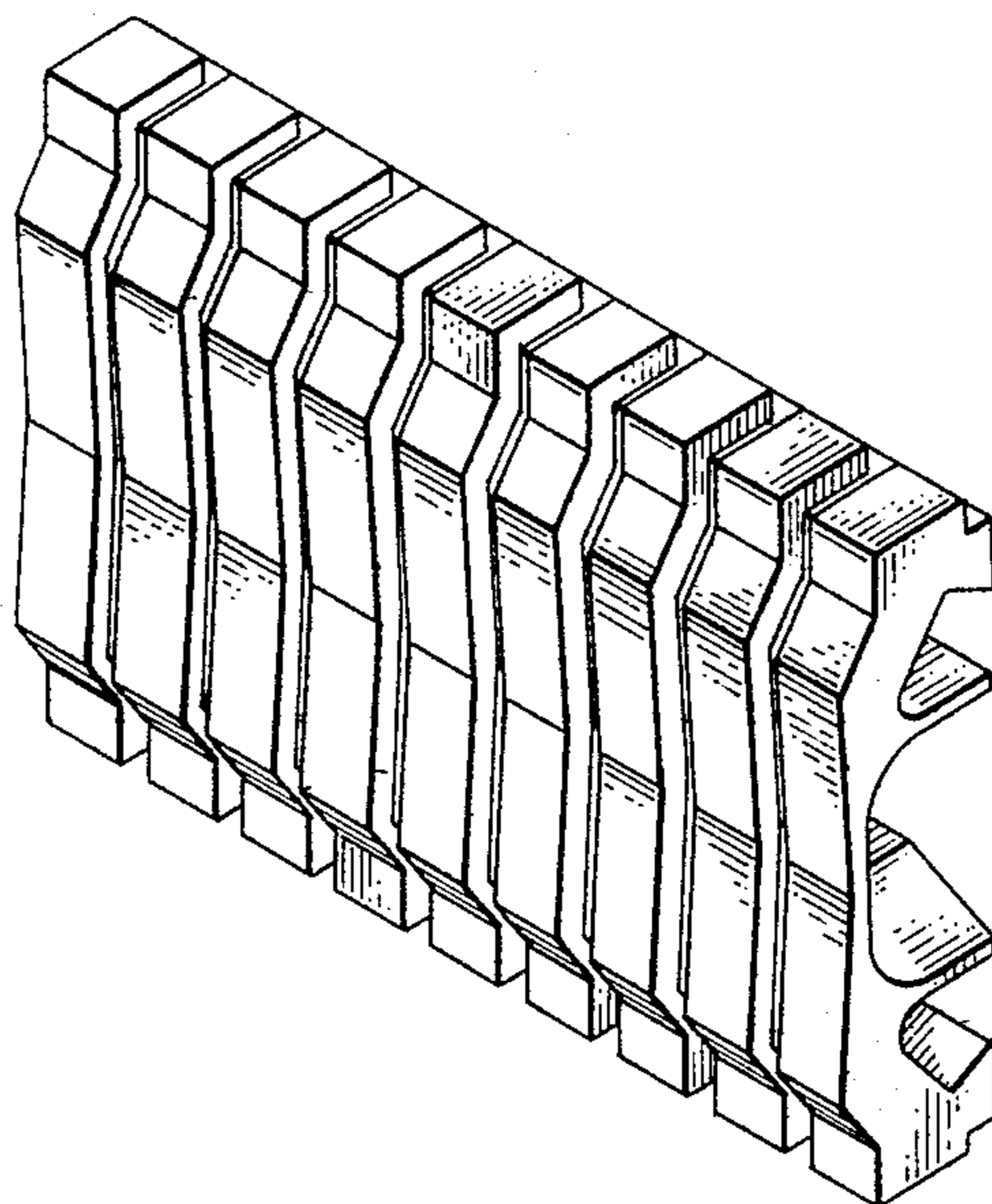


Fig. 1

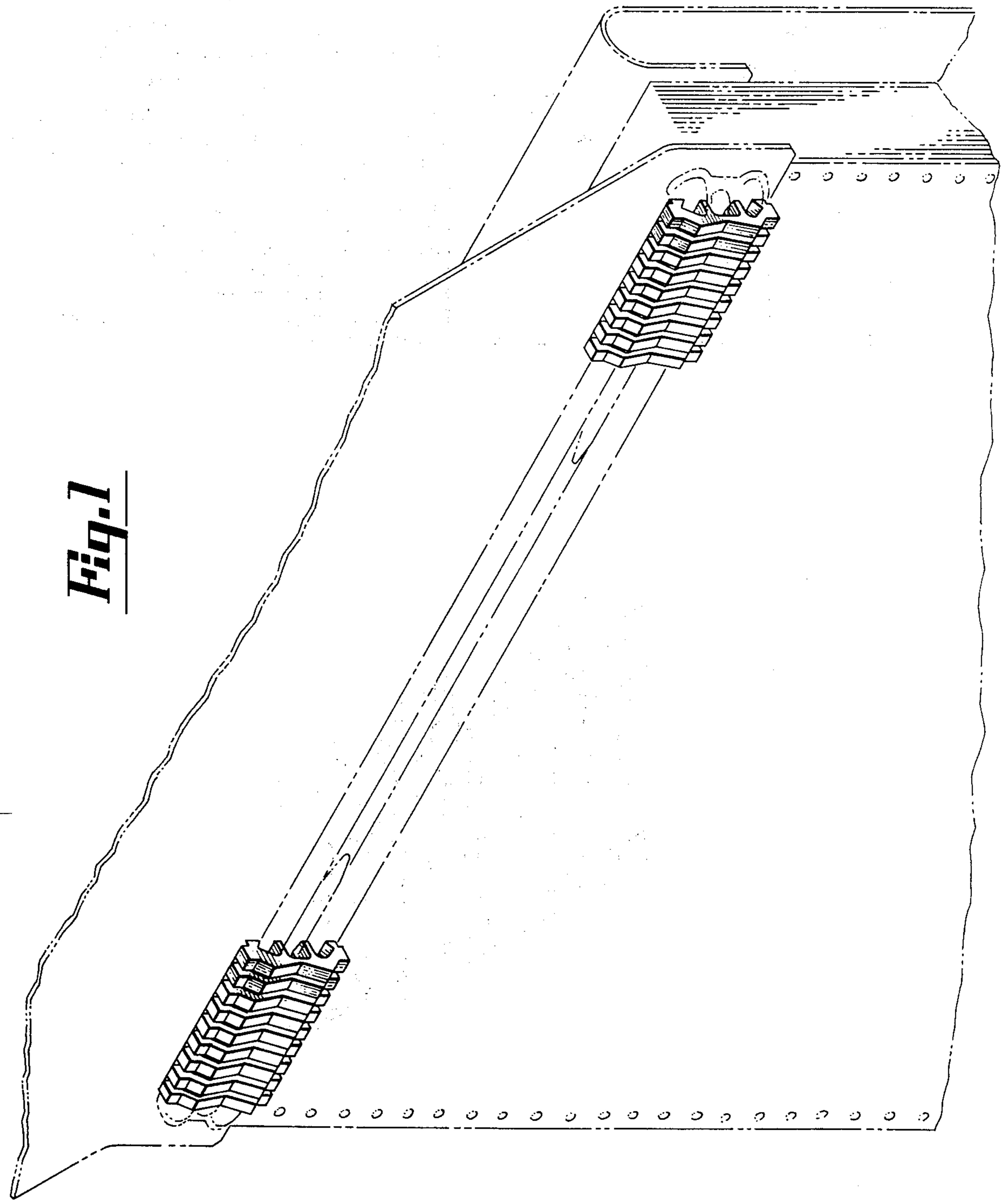


Fig. 2

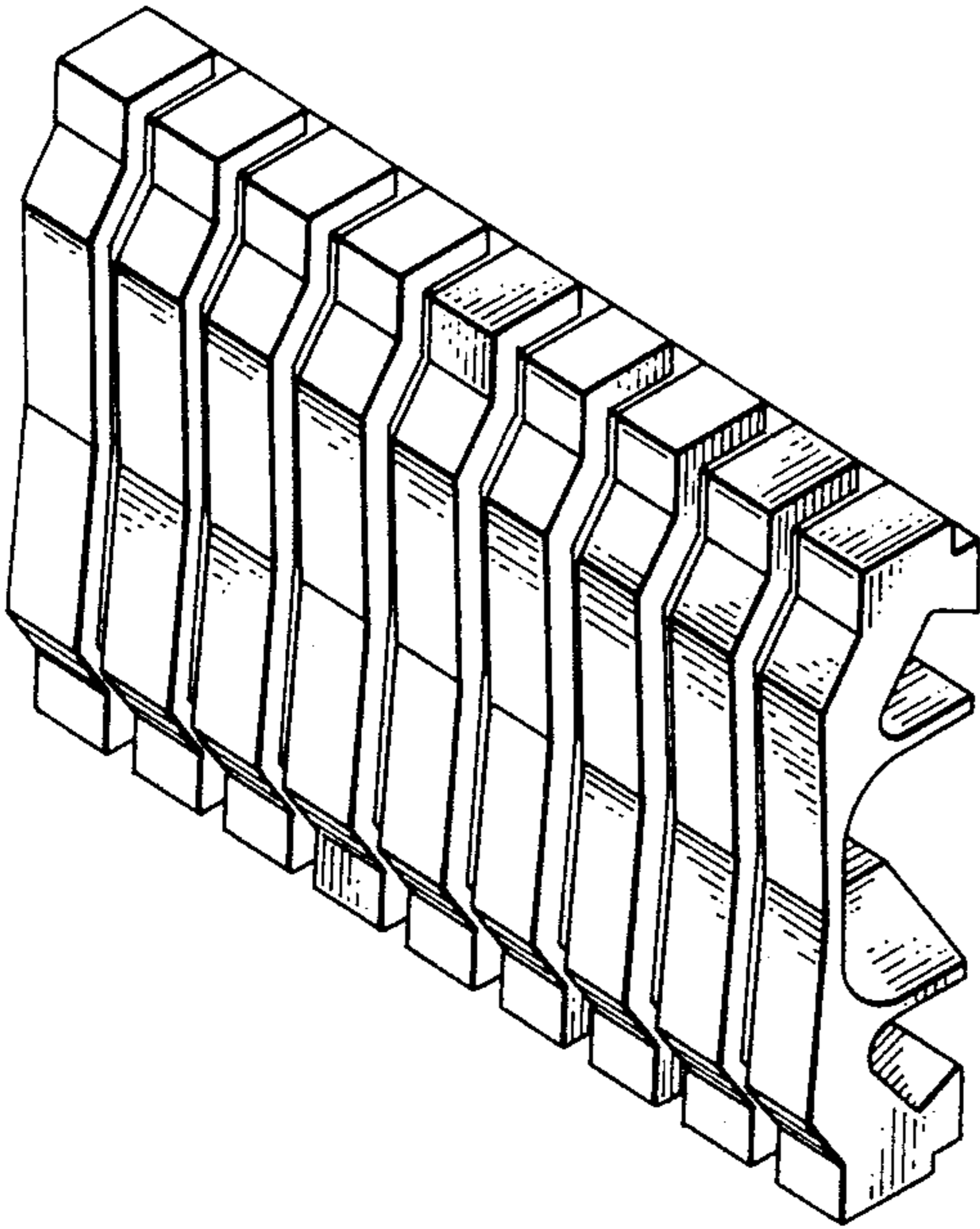


Fig. 3

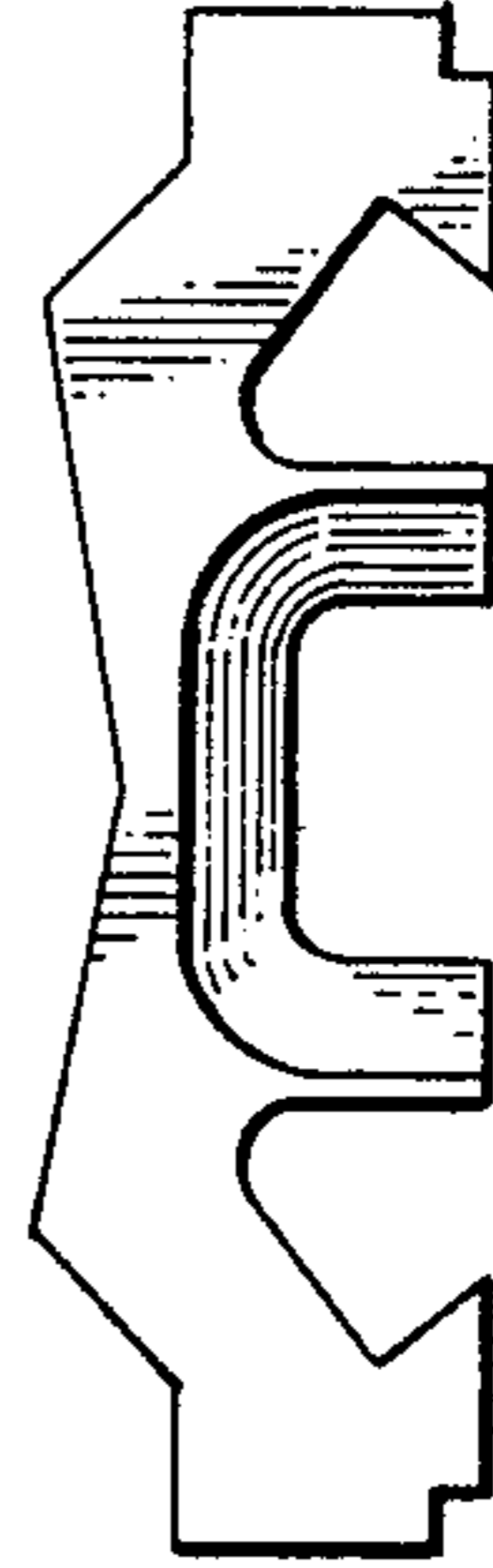


Fig. 6

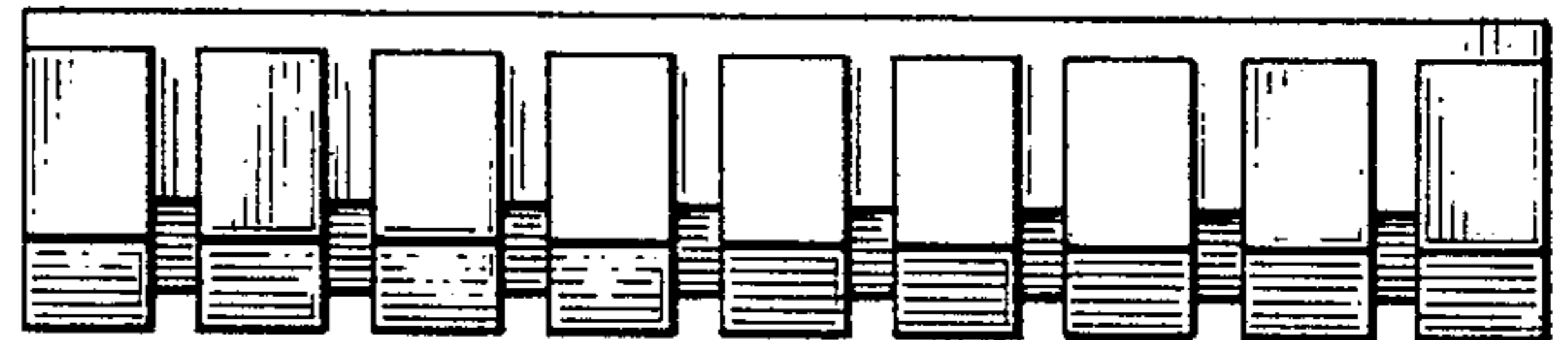


Fig. 4

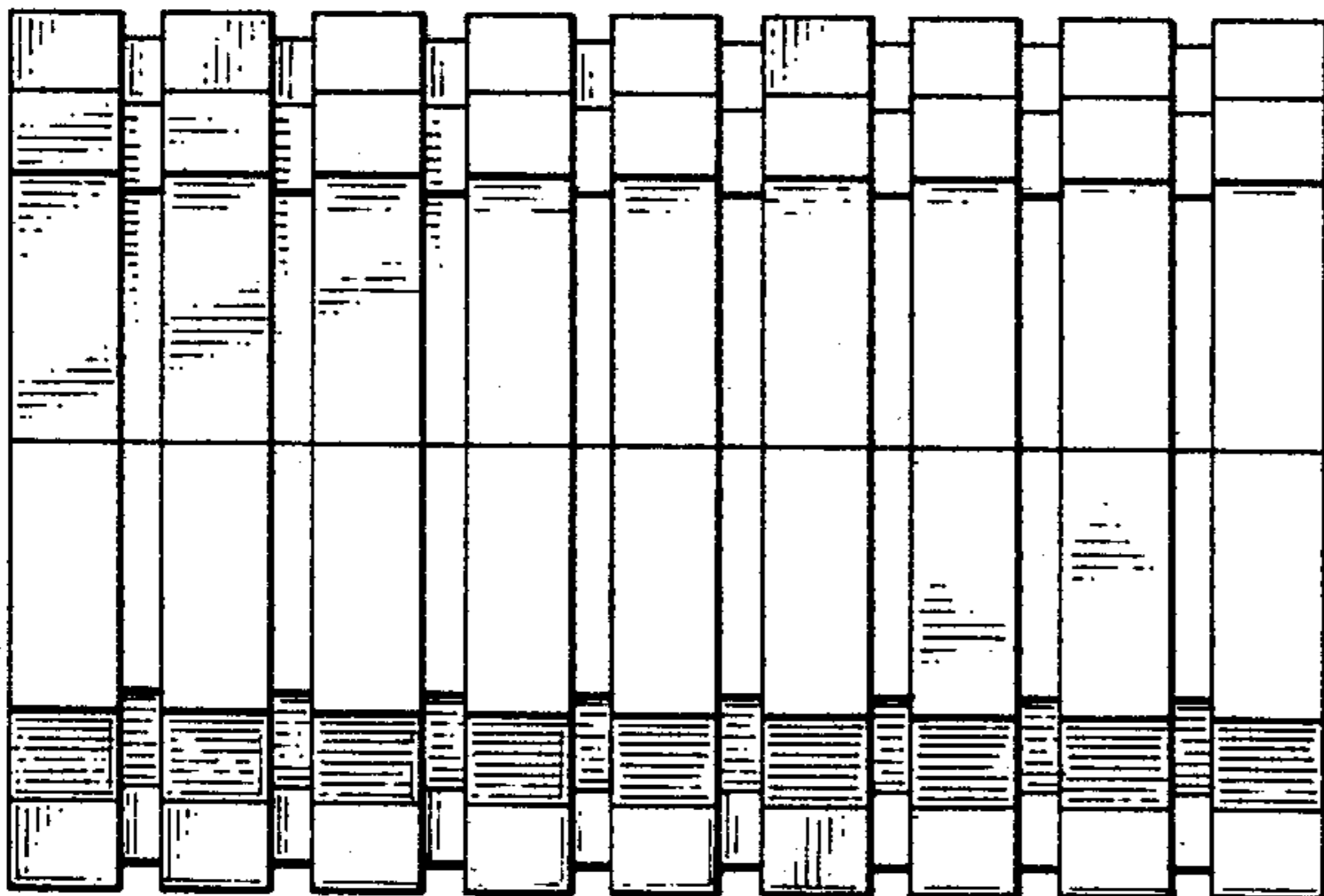


Fig. 5

