

[54] DEBURRING MACHINE

[76] Inventor: James R. Wilbourn, 335 Rockcut Rd., Gurley, Ala. 35748

[**] Term: 14 Years

[21] Appl. No.: 450,358

[22] Filed: Dec. 16, 1982

[52] U.S. Cl. D15/124

[58] Field of Search D15/123, 124, 125; 366/108; 51/163.1

[56] References Cited

U.S. PATENT DOCUMENTS

Re. 27,412 6/1972 Olson et al. 51/163.1

D. 255,450 6/1980 Walther et al. D15/147
D. 260,650 9/1981 Alviti D15/147
3,037,327 6/1962 Ferrara 51/163.1
3,339,316 9/1967 Rampe 51/163.1

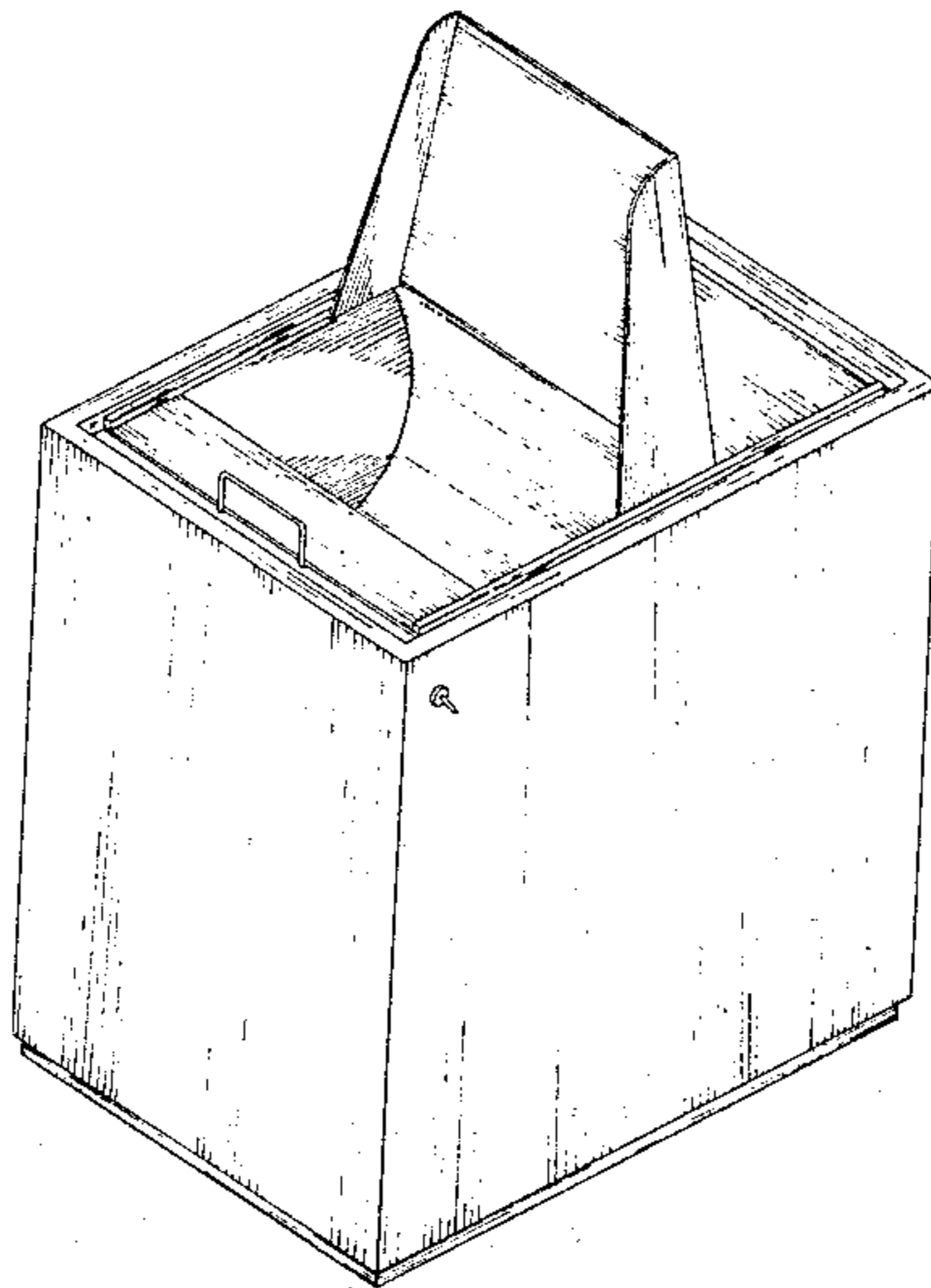
Primary Examiner—B. J. Bullock
Attorney, Agent, or Firm—C. A. Phillips

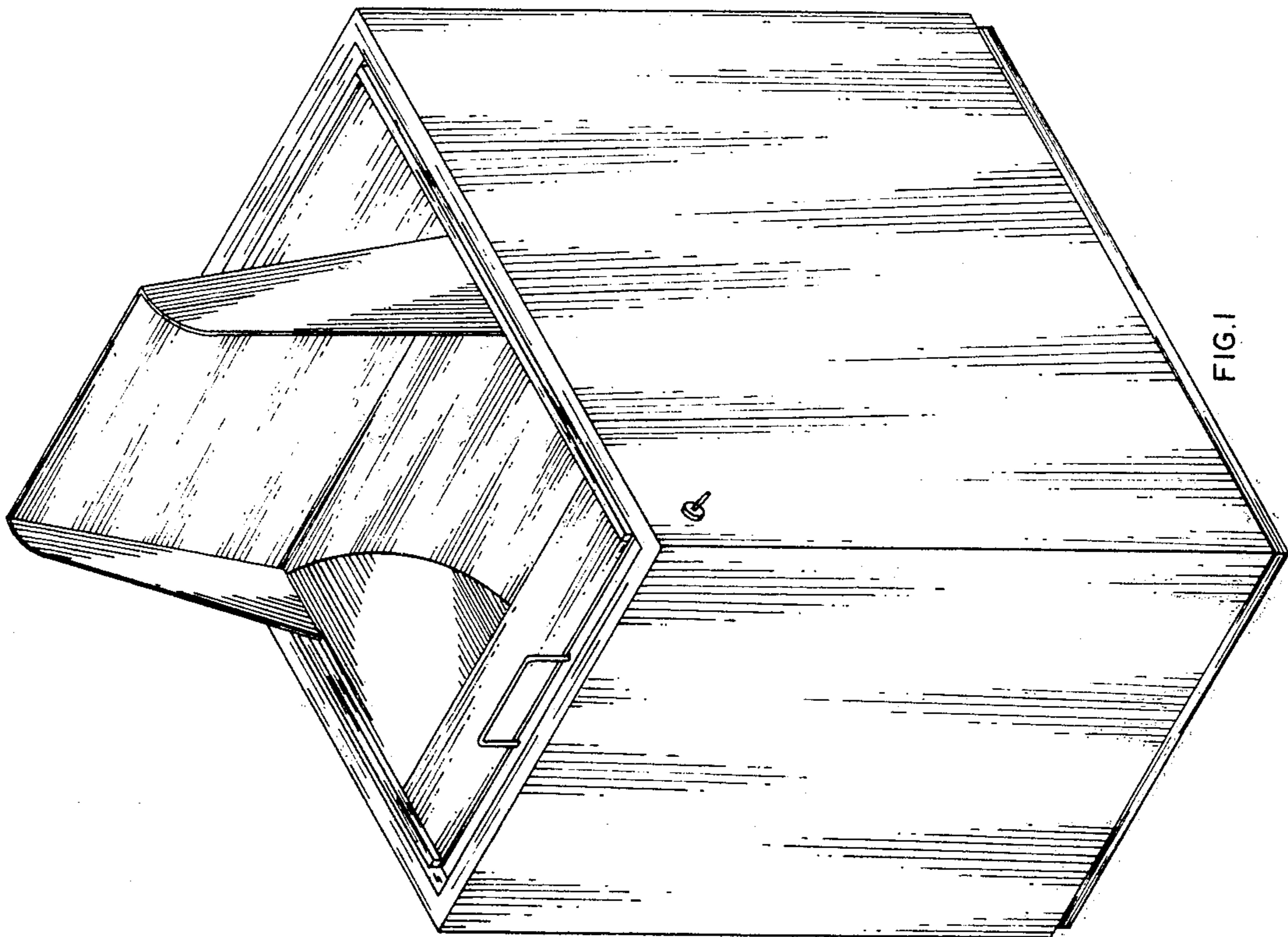
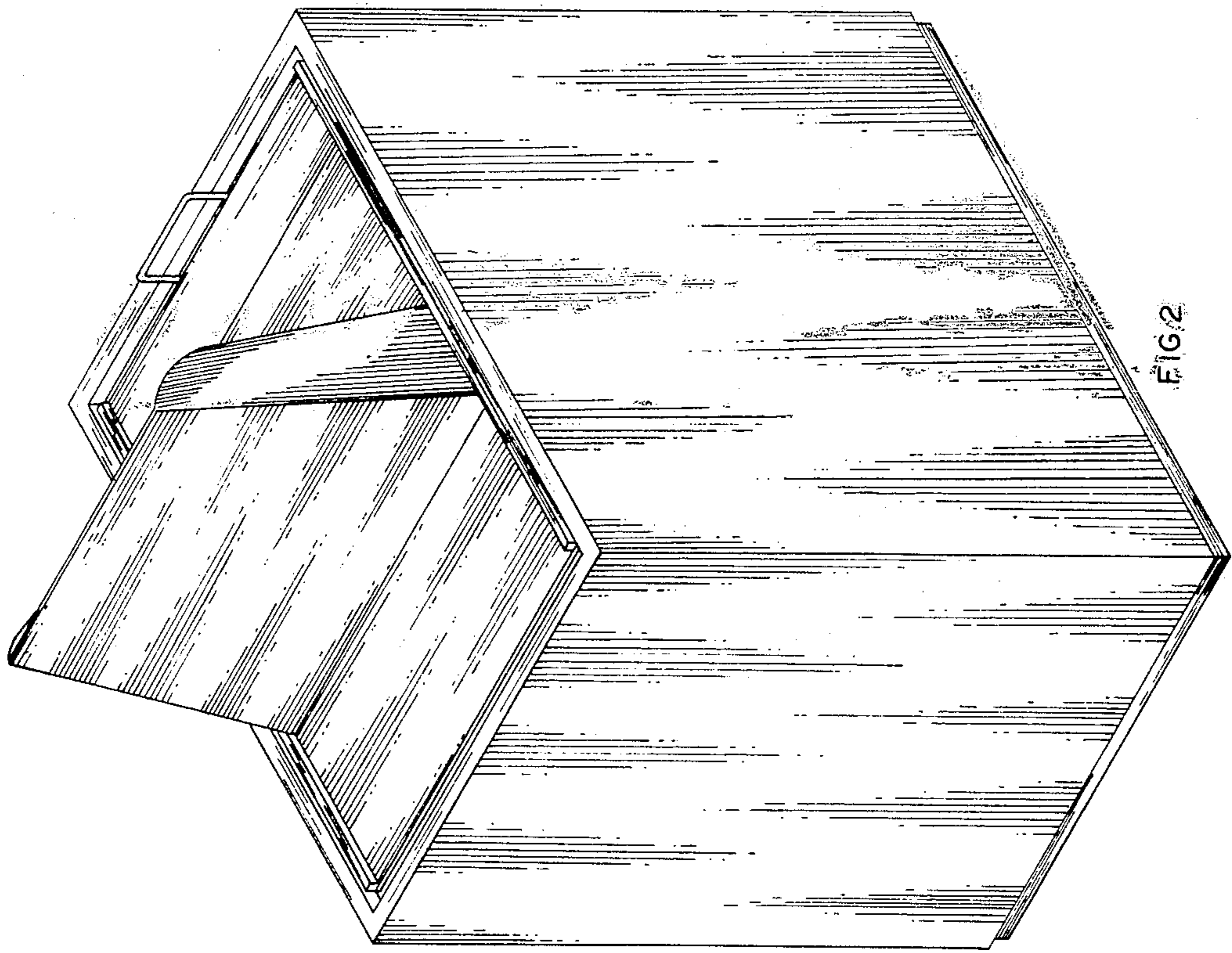
[57] CLAIM

The ornamental design for a deburring machine, substantially as shown and described.

DESCRIPTION

FIG. 1 is a front, right perspective view of a deburring machine showing my new design; FIG. 2 is a rear, left perspective view thereof; and FIG. 3 is a top plan view thereof, the bottom being unornamented.





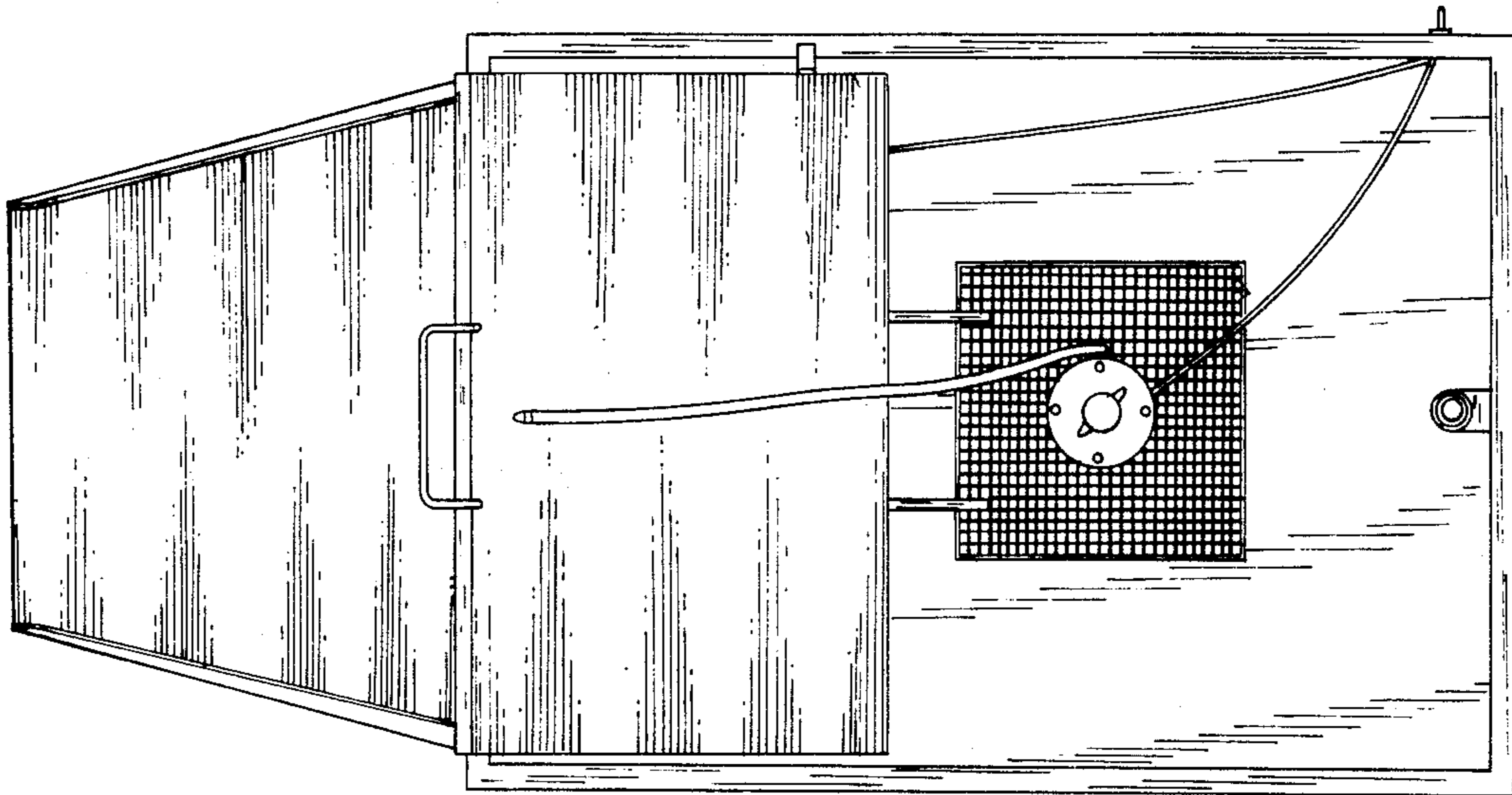


FIG. 5

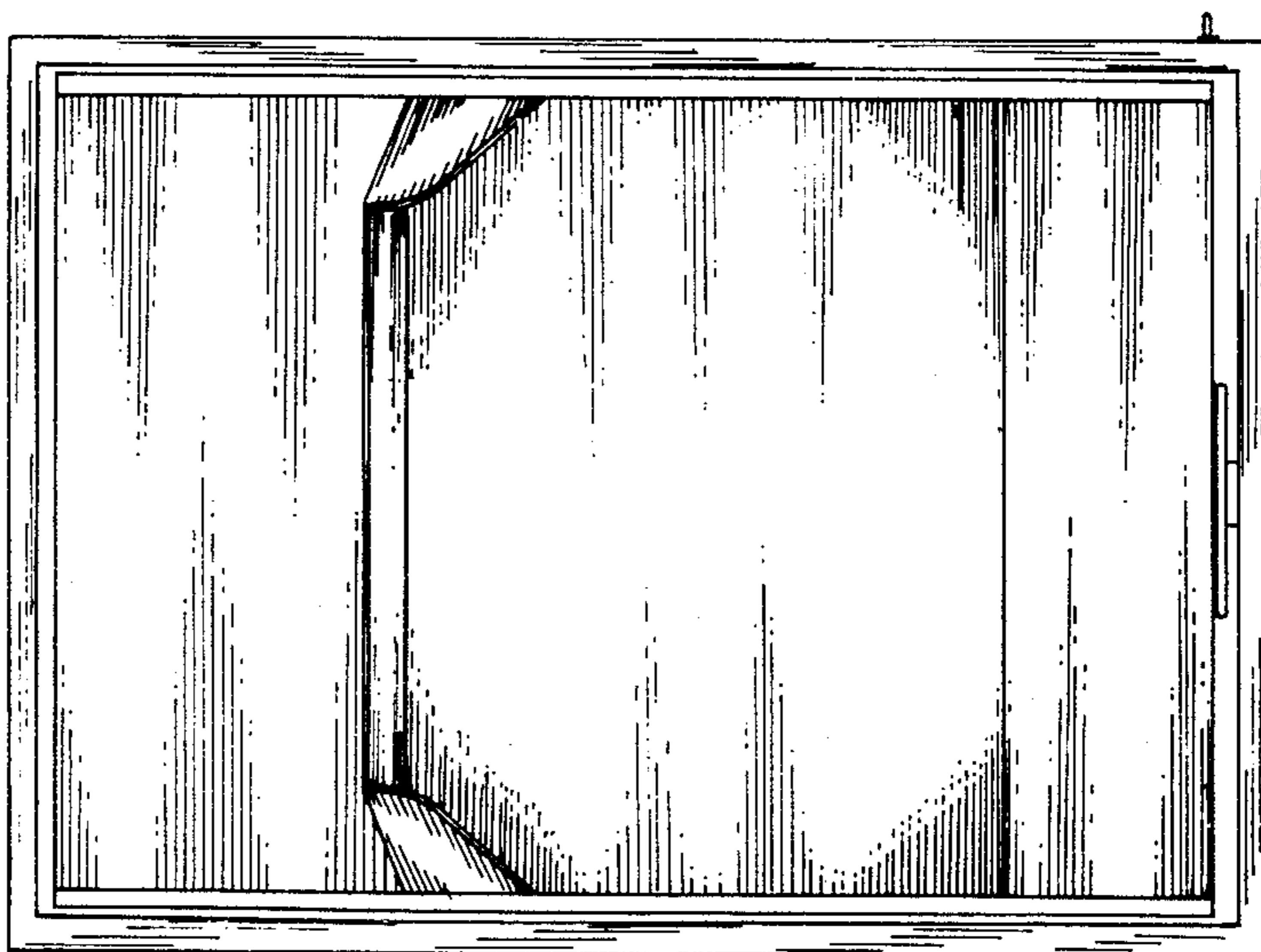


FIG. 3