

United States Patent [19]

Shepard

[11] Patent Number: **Des. 276,904**

[45] Date of Patent: **** Dec. 25, 1984**

[54] **MOBILE CHAIR FOR THE HANDICAPPED**

[75] Inventor: **Melvin E. Shepard**, Bridgeport, Mich.

[73] Assignee: **Amigo Sales, Inc.**, Bridgeport, Mich.

[**] Term: **14 Years**

[21] Appl. No.: **374,231**

[22] Filed: **May 3, 1982**

[52] U.S. Cl. **D12/131**

[58] Field of Search **D12/85, 131, 128; 280/242 WC, 242 R; 297/DIG. 4; 180/210, 215, 216**

[56] **References Cited**

U.S. PATENT DOCUMENTS

D. 220,835 6/1971 Thieme D12/85

D. 269,960 8/1983 Cosper D12/85
4,010,499 3/1977 Davis et al. D12/131

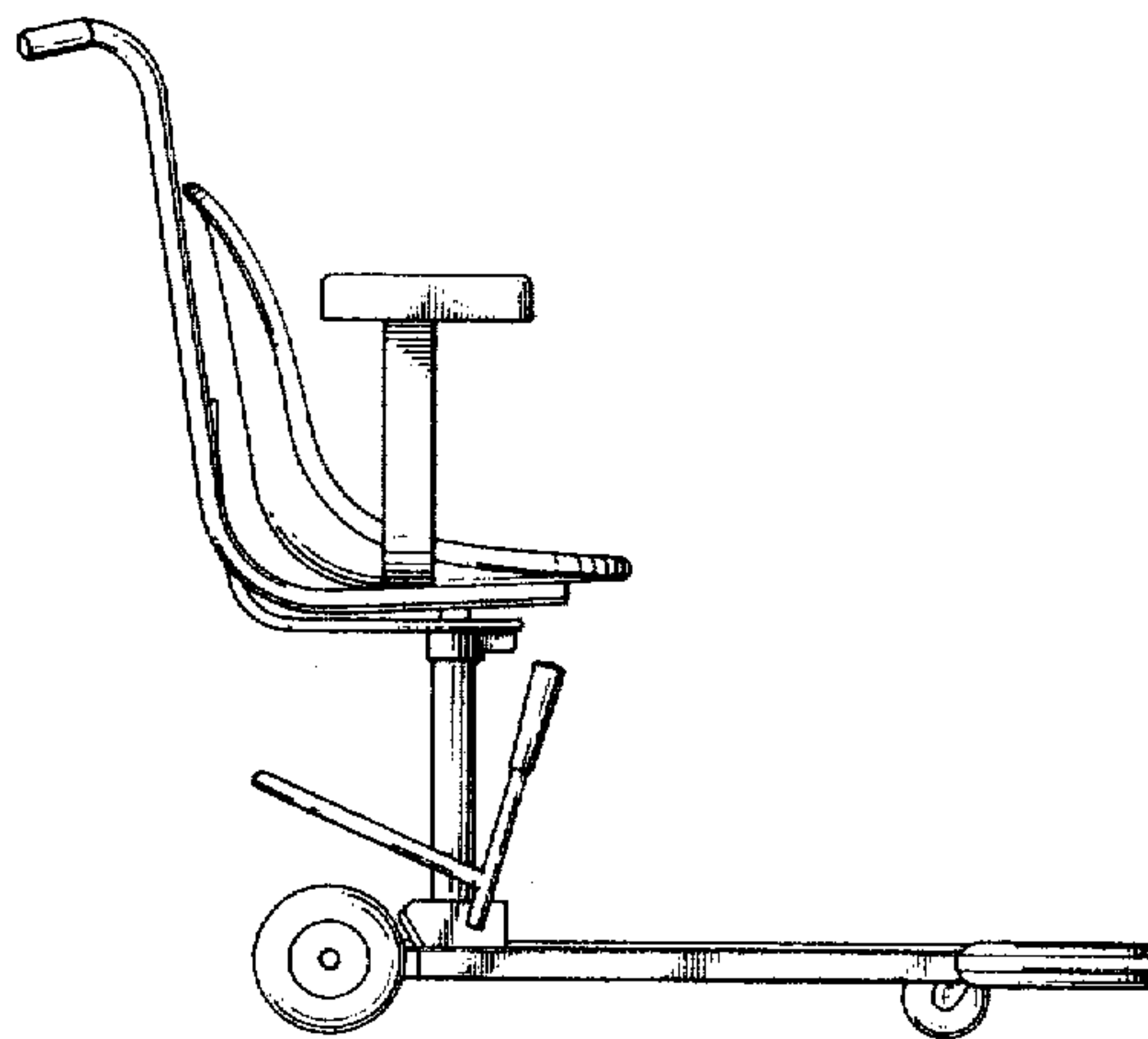
Primary Examiner—James M. Gandy
Attorney, Agent, or Firm—Learman & McCulloch

[57] **CLAIM**

The ornamental design for a mobile chair for the handicapped, as shown and described.

DESCRIPTION

FIG. 1 is a side elevational view of the mobile chair for the handicapped, it being understood that the view from the opposite side is a mirror image thereof;
FIG. 2 is a top plan view thereof;
FIG. 3 is a front elevational view thereof;
FIG. 4 is a rear elevational view thereof;
and
FIG. 5 is a bottom plan view thereof.



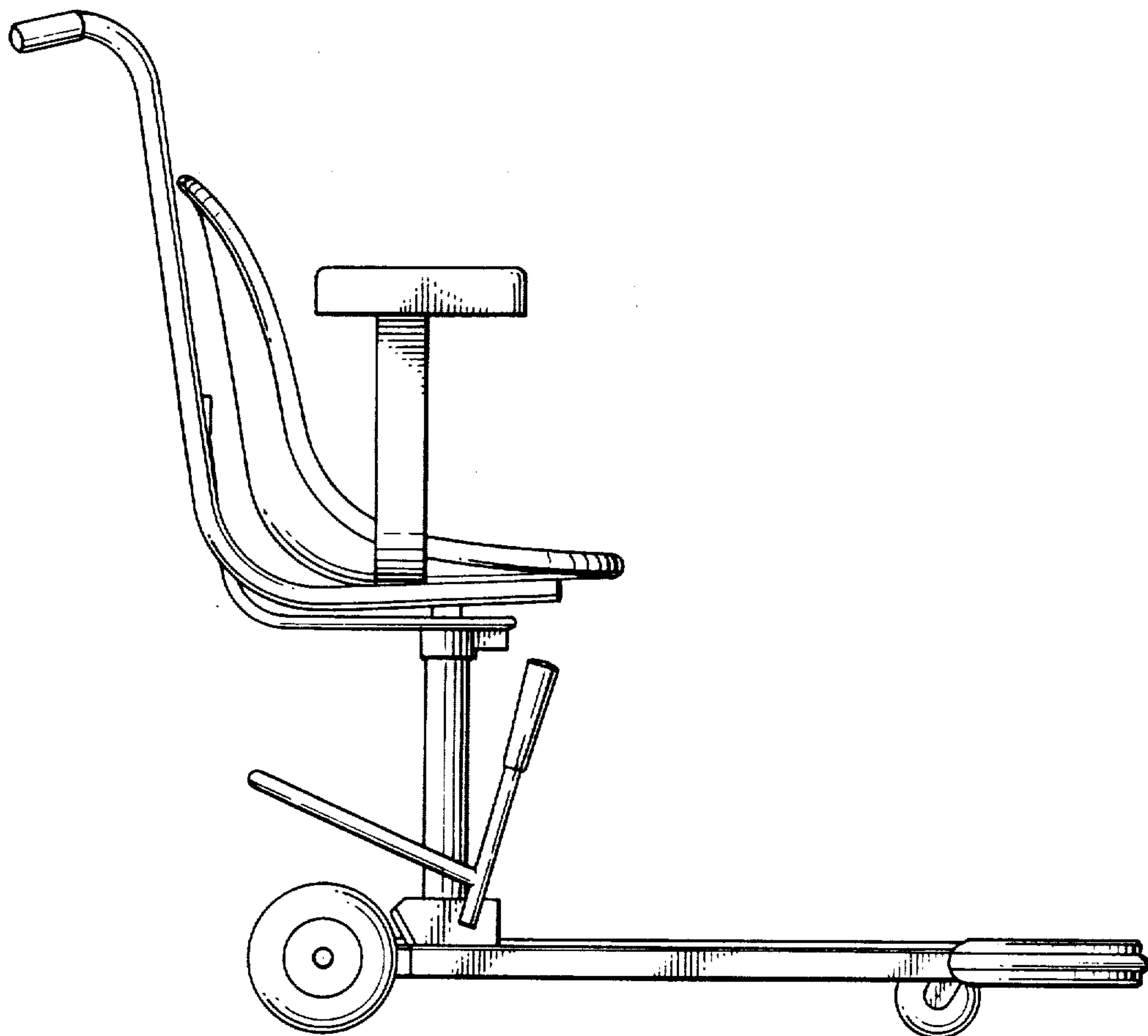


FIG. 1

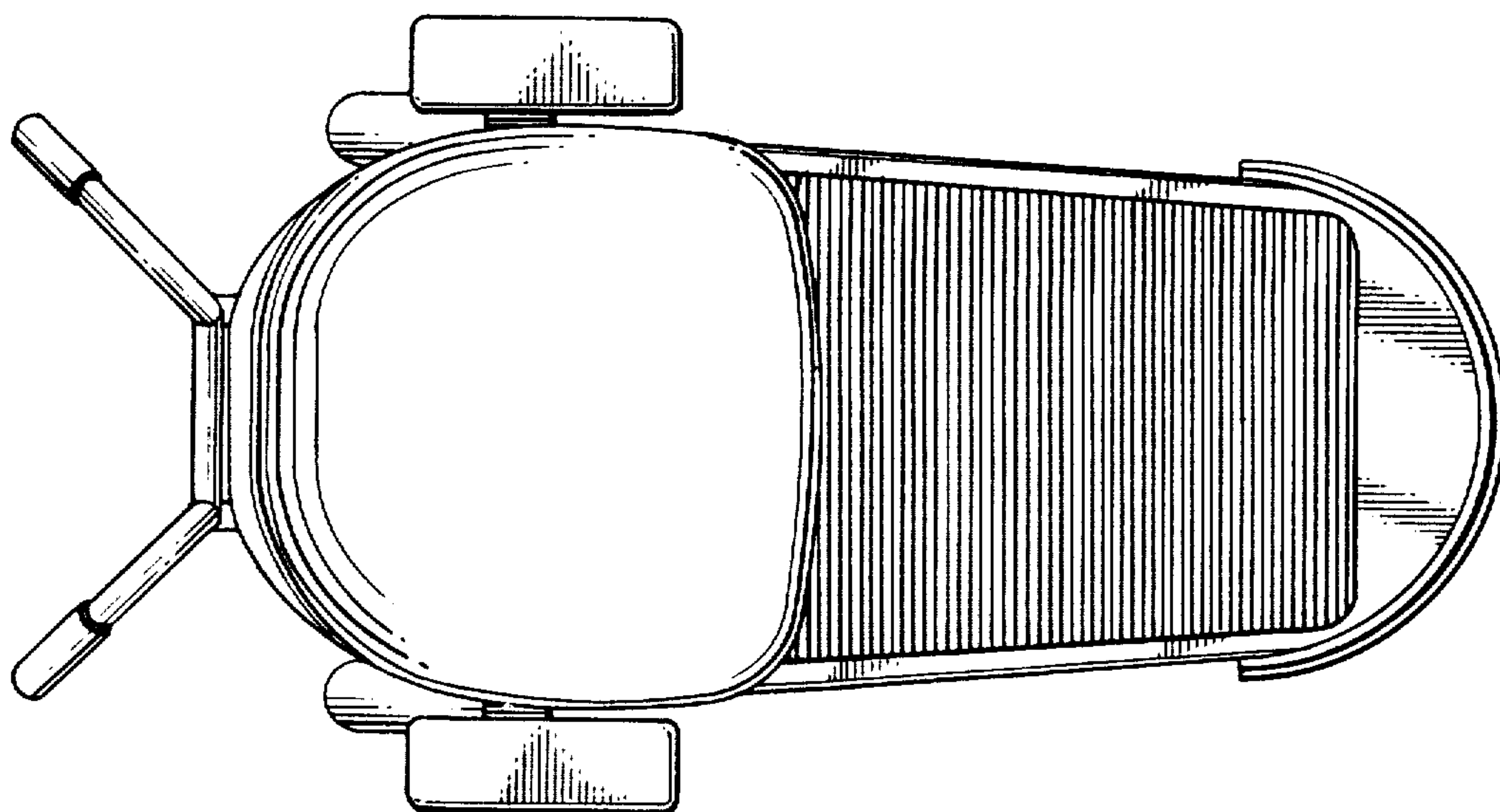


FIG. 2

FIG. 3

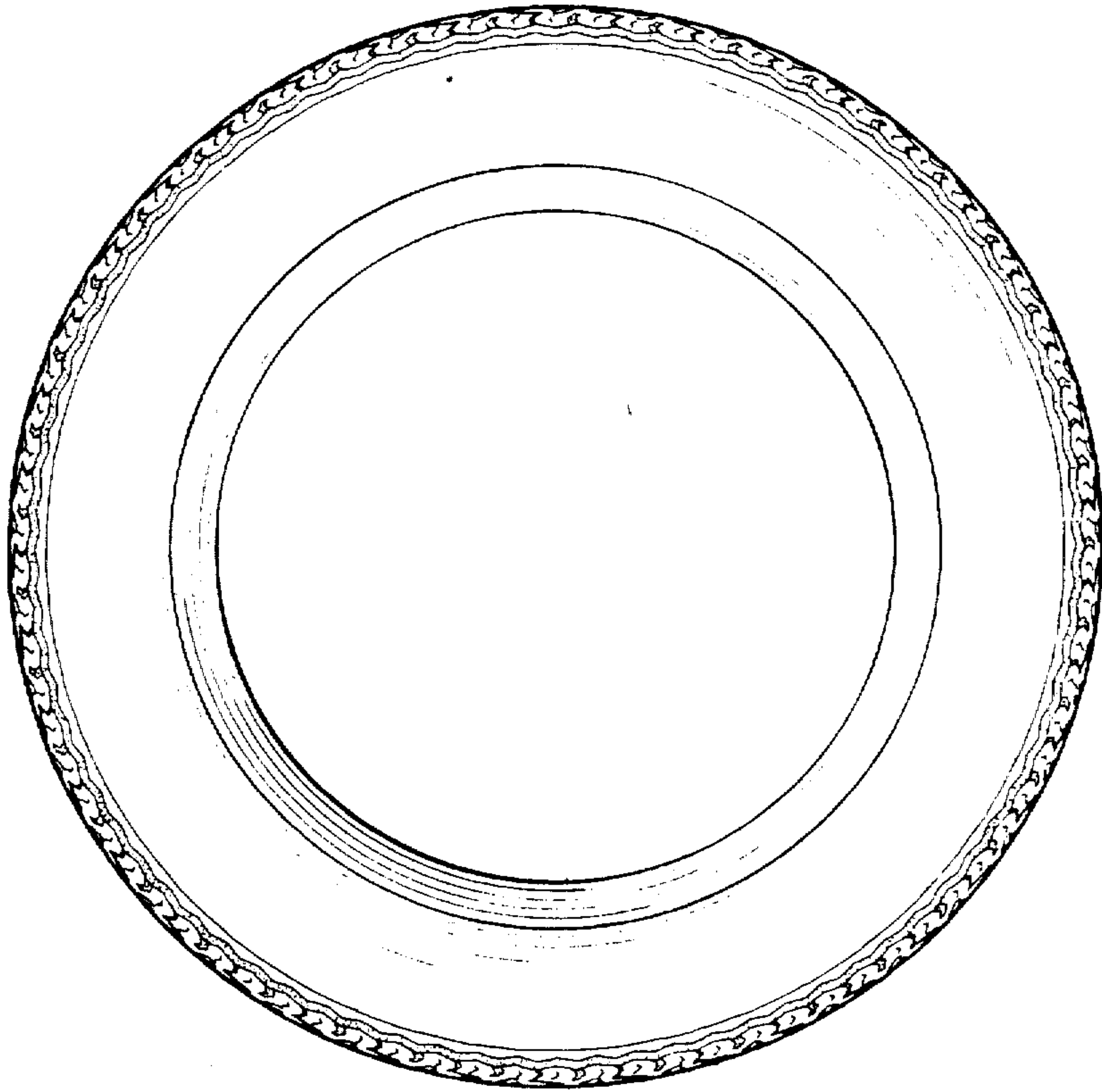


FIG. 4

