

[54] MOTORCYCLE RADIO HOUSING

[76] Inventor: Fred O. Hoese, 30706 Wildcat Dr., Bulverde, Tex. 78163

[\*] Notice: The portion of the term of this patent subsequent to Mar. 30, 1996 has been disclaimed.

[\*\*] Term: 14 Years

[21] Appl. No.: 295,762

[22] Filed: Aug. 24, 1981

[52] U.S. Cl. .... D12/114

[58] Field of Search ..... D12/114; D14/68; 280/289 R

[56] References Cited

U.S. PATENT DOCUMENTS

- D. 251,120 2/1979 Hoese ..... D12/114
- D. 257,971 1/1981 Hoese ..... D12/114

- D. 263,577 3/1982 Hoese ..... D12/114
- D. 266,410 10/1982 Hoese ..... D12/114

OTHER PUBLICATIONS

Cycle World, 6/80, p. 4, Radio Housing, top of page.

Primary Examiner—James M. Gandy  
Attorney, Agent, or Firm—John C. Stahl

[57] CLAIM

The ornamental design for a motorcycle radio housing, as shown.

DESCRIPTION

FIG. 1 is a top plan view of a motorcycle radio housing, showing my new design.

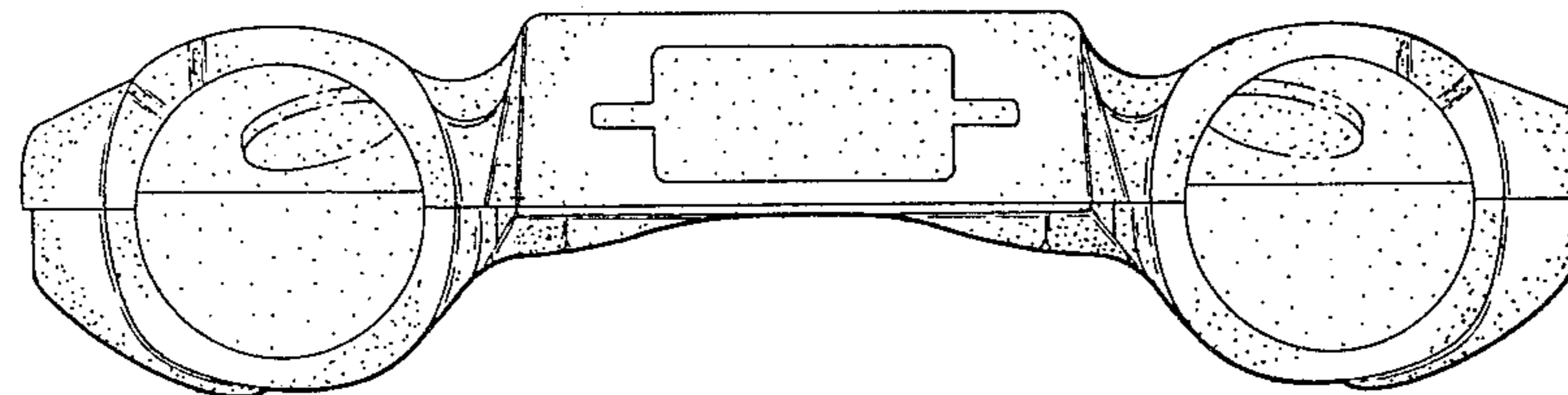
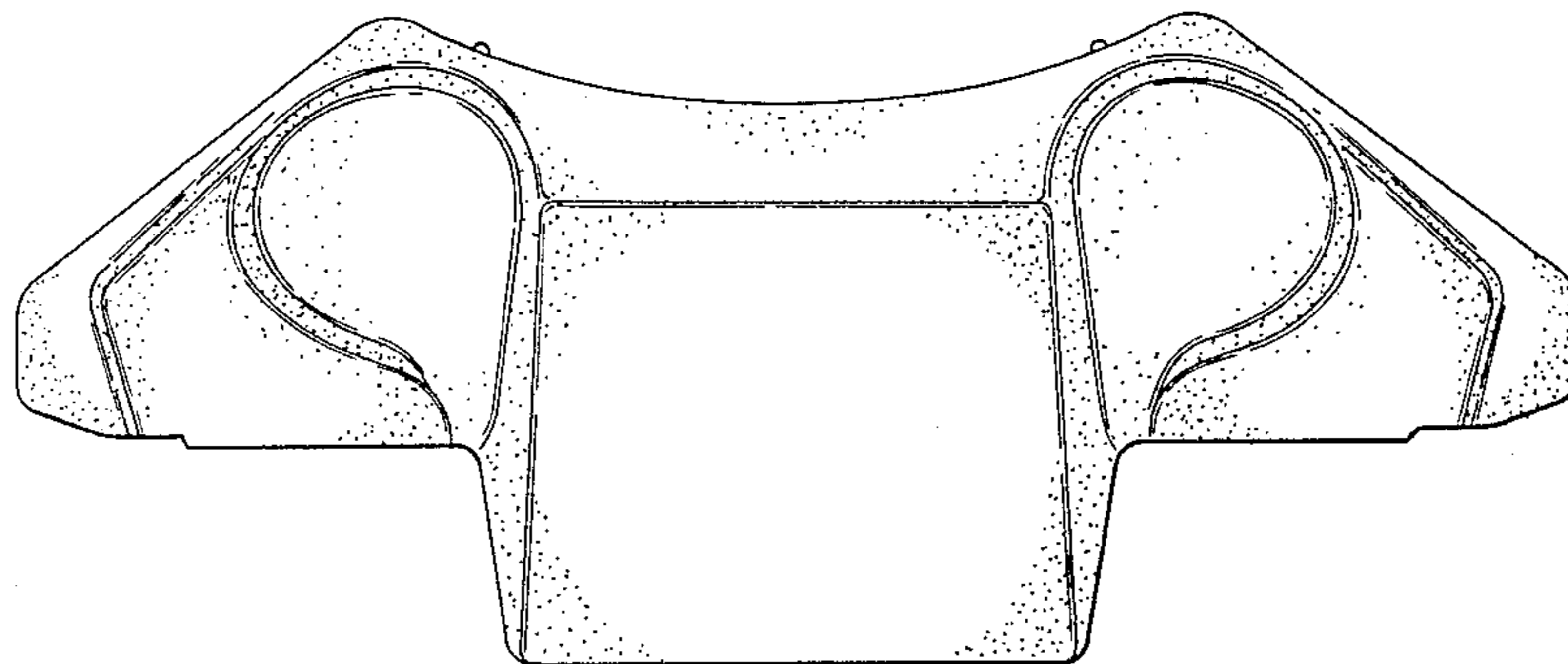
FIG. 2 is a front elevational view.

FIG. 3 is a bottom plan view.

FIG. 4 is an inverted rear elevational view.

FIG. 5 is a left side elevational view; and

FIG. 6 is a right side elevational view.-



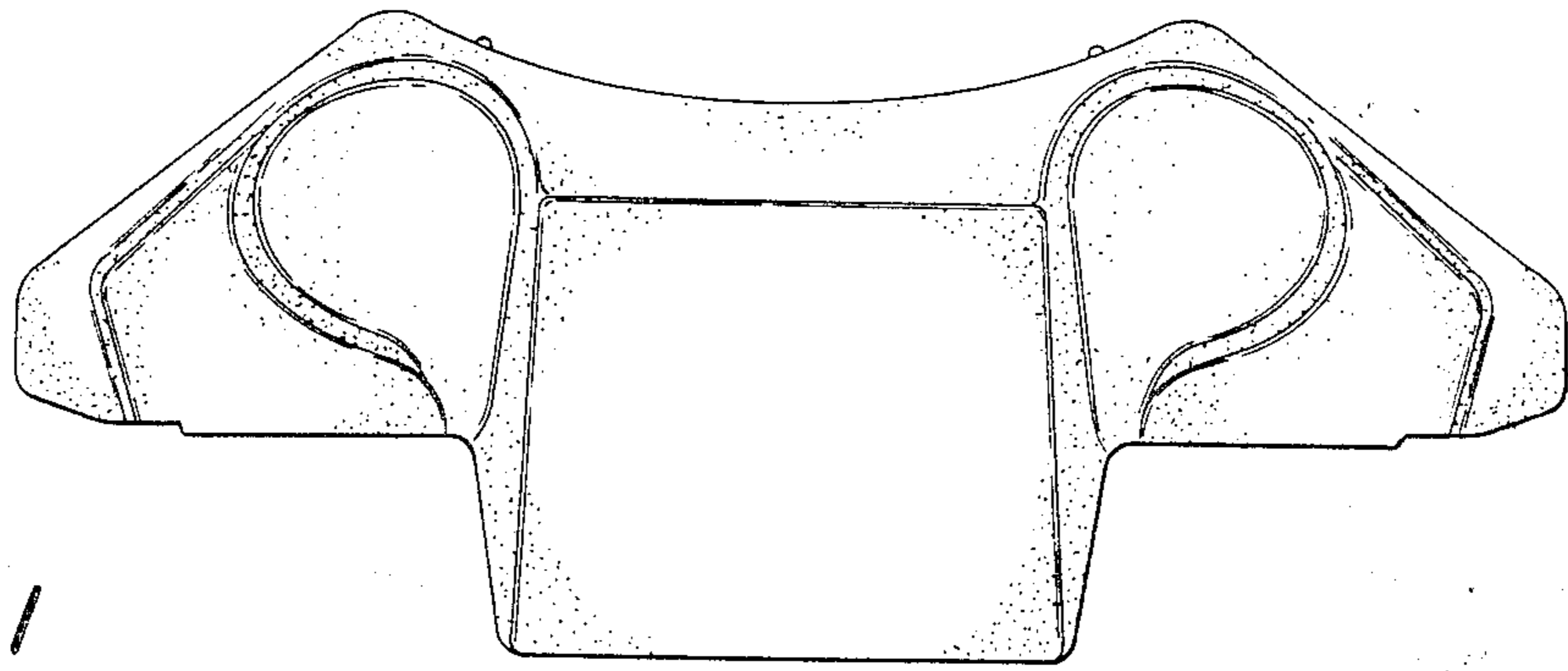


FIG. 1

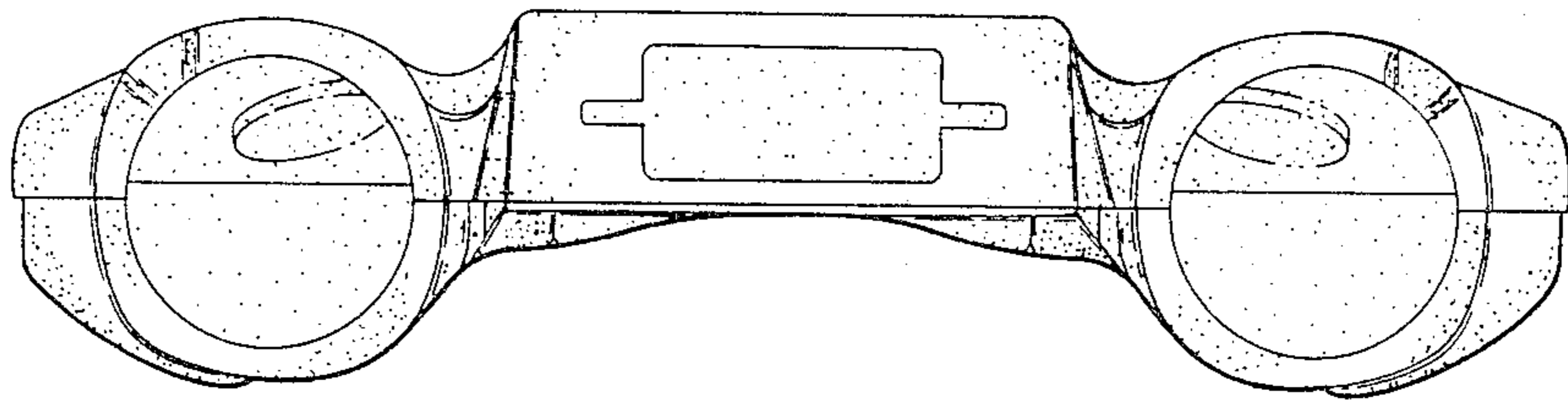


FIG. 2

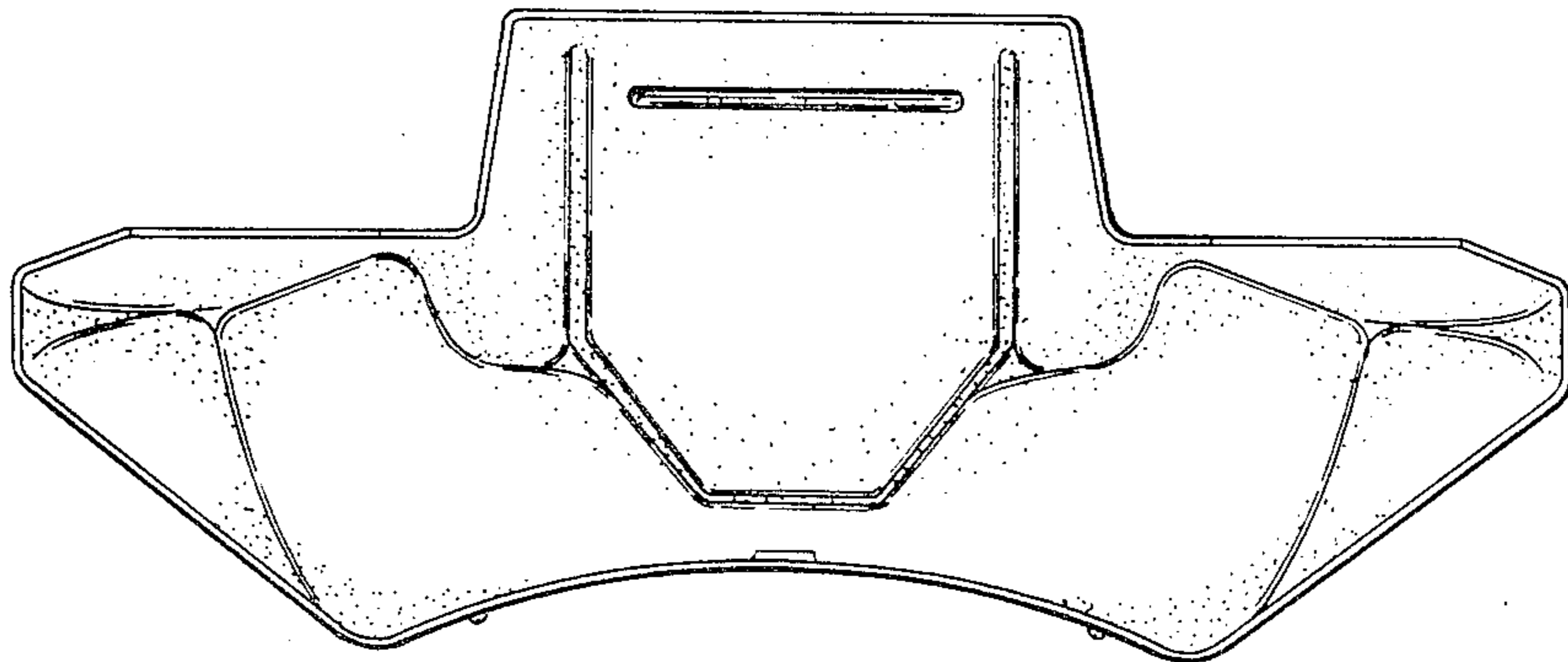


FIG. 3

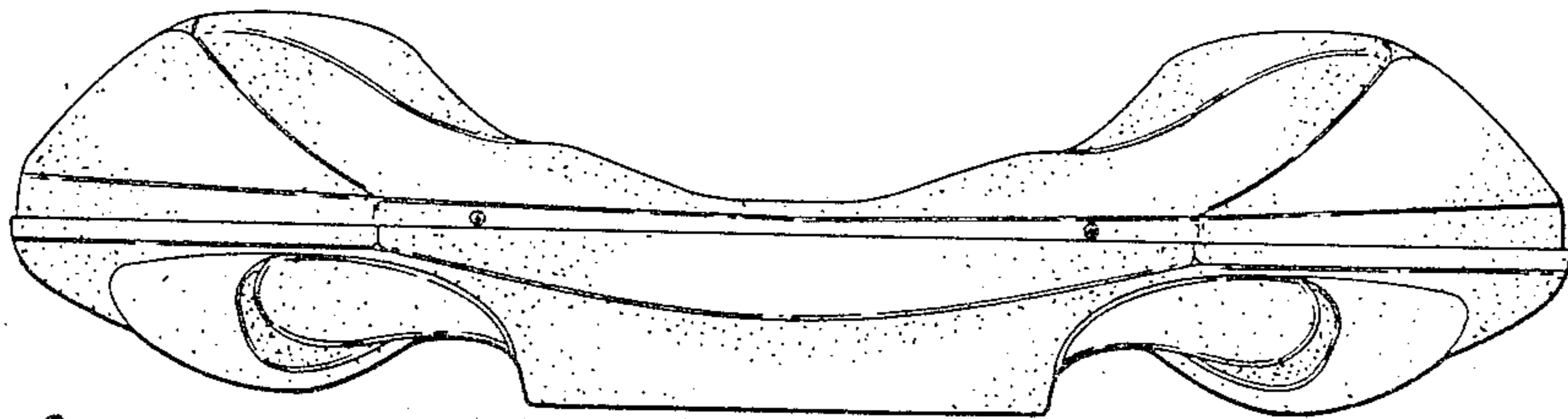


FIG. 4

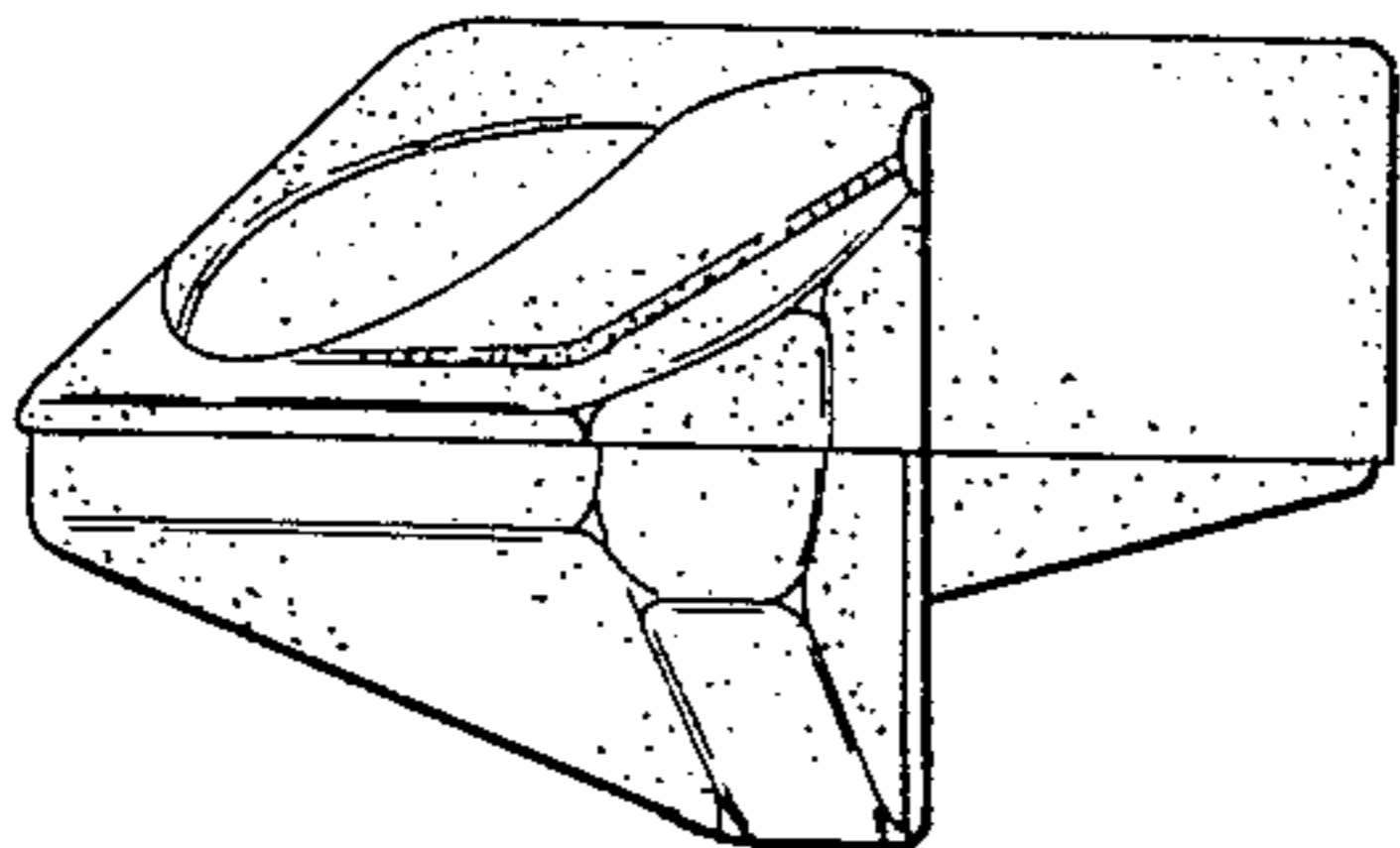


FIG. 5

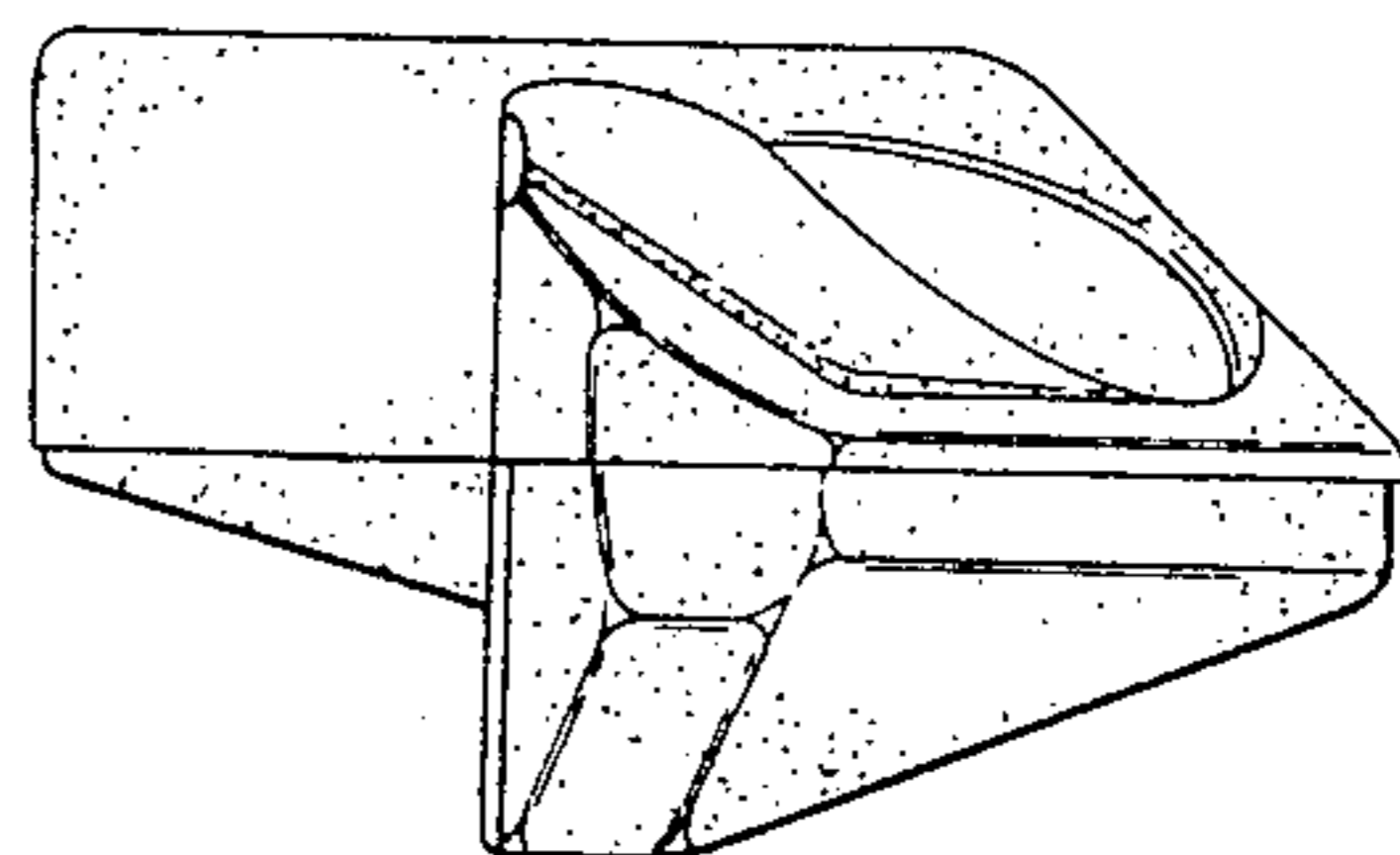


FIG. 6