

United States Patent [19]

Plugge

[11] Patent Number: **Des. 276,902**

[45] Date of Patent: **** Dec. 25, 1984**

[54] **JOGGING CART FOR HORSE**
 [75] Inventor: **Jerome R. Plugge**, Cordova, Md.
 [73] Assignee: **Marcel G. Talbot**, Chester, Md.
 [**] Term: **14 Years**
 [21] Appl. No.: **429,143**
 [22] Filed: **Sep. 30, 1982**
 [52] U.S. Cl. **D12/19**
 [58] Field of Search **D12/19, 18, 114, 101,**
 D12/105; D34/24; 280/63, 654, 79.2, 47, 24;
 296/180

1,052,497 2/1913 McCormick 280/63
 3,549,165 12/1970 Zuhlke 280/76
 3,912,292 10/1975 Lichfield 280/63

Primary Examiner—Catherine E. Kemper
Assistant Examiner—Kay H. Chin
Attorney, Agent, or Firm—Brady, O'Boyle & Gates

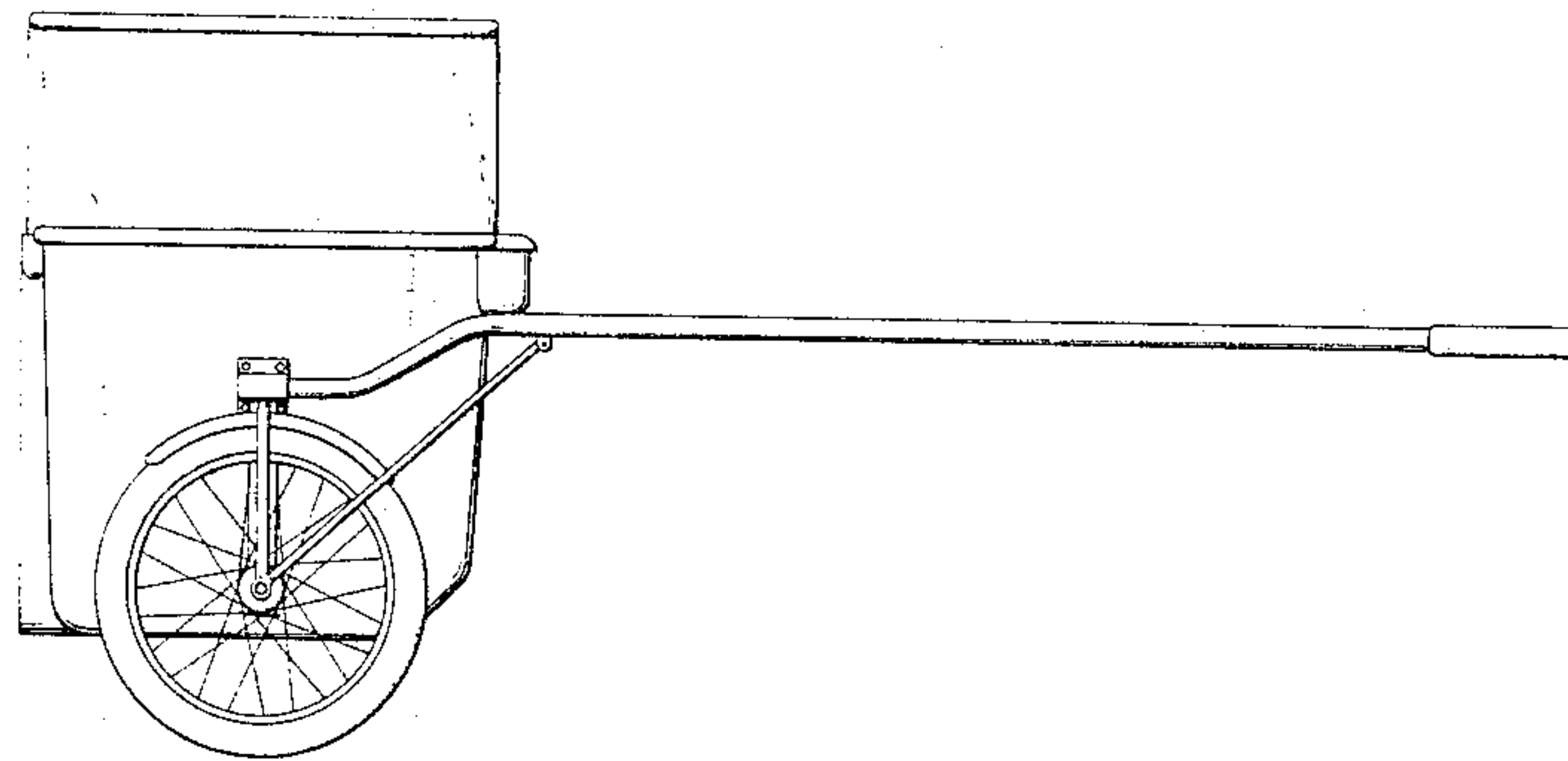
[57] CLAIM

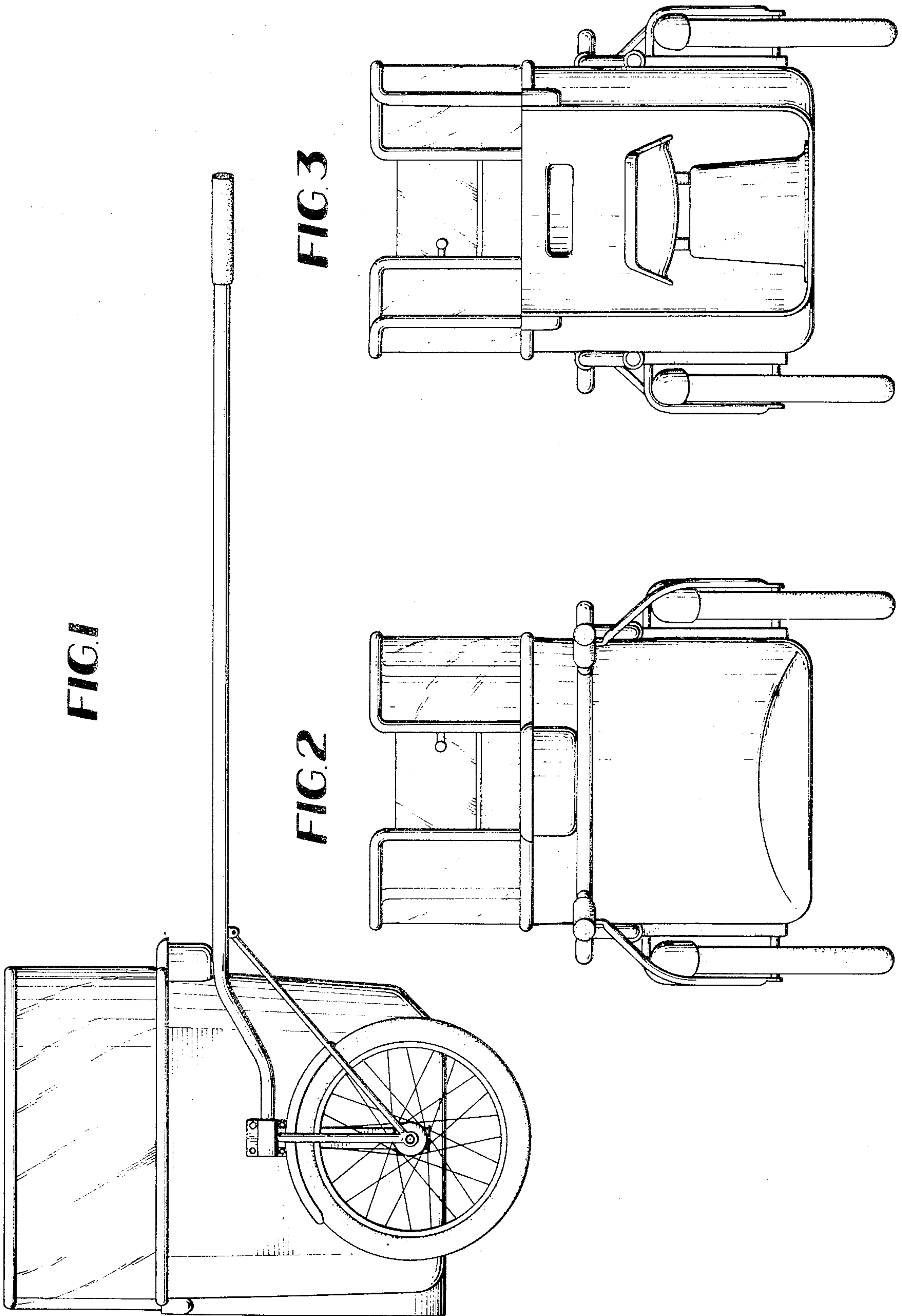
The ornamental design for a jogging cart for horse, as shown.

DESCRIPTION

FIG. 1 is a right side elevational view of a jogging cart for horse illustrating my new design;
 FIG. 2 is a front elevational view thereof;
 FIG. 3 is a rear elevational view thereof;
 FIG. 4 is a left side elevational view thereof; and
 FIG. 5 is a top plan elevational view thereof.

[56] **References Cited**
U.S. PATENT DOCUMENTS
 D. 248,226 6/1978 Sailer, Sr. D12/101
 D. 263,037 2/1982 Brown D12/105





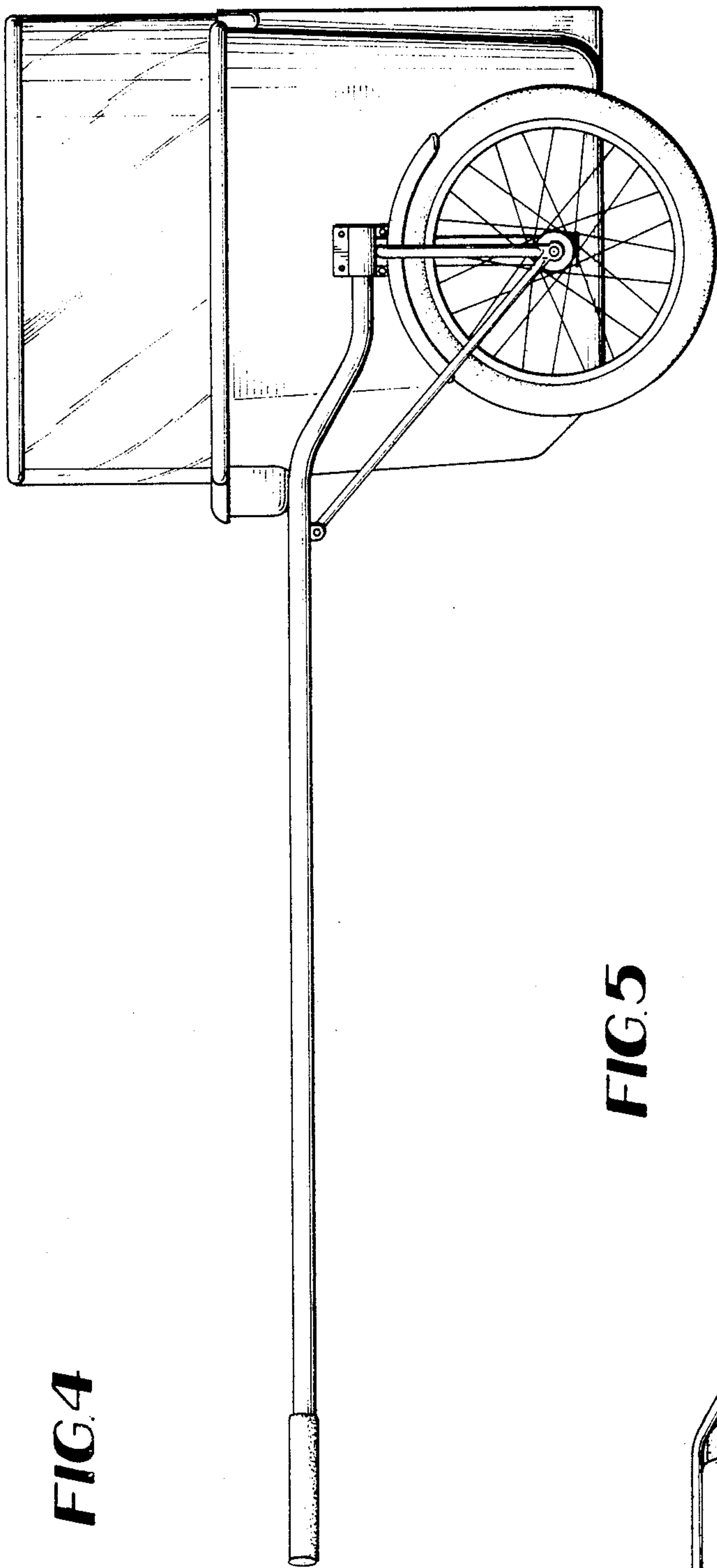


FIG. 4

FIG. 5

