

United States Patent [19]

Chaplin

[11] Patent Number: **Des. 276,901**

[45] Date of Patent: **** Dec. 25, 1984**

[54] **SURFACE EFFECT SHIP**

[75] Inventor: **John B. Chaplin, Covington, La.**

[73] Assignee: **Textron Inc., Providence, R.I.**

[**] Term: **14 Years**

[21] Appl. No.: **446,324**

[22] Filed: **Dec. 2, 1982**

[52] U.S. Cl. **D12/5**

[58] Field of Search **D12/5, 300, 301, 315, D12/318, 312; 114/67 A; 180/116, 121, 127**

[56] **References Cited**

U.S. PATENT DOCUMENTS

- D. 218,787 9/1970 Nicholas D12/5
- D. 227,509 6/1973 Walker D12/310

D. 235,320 6/1975 Klingler D12/312

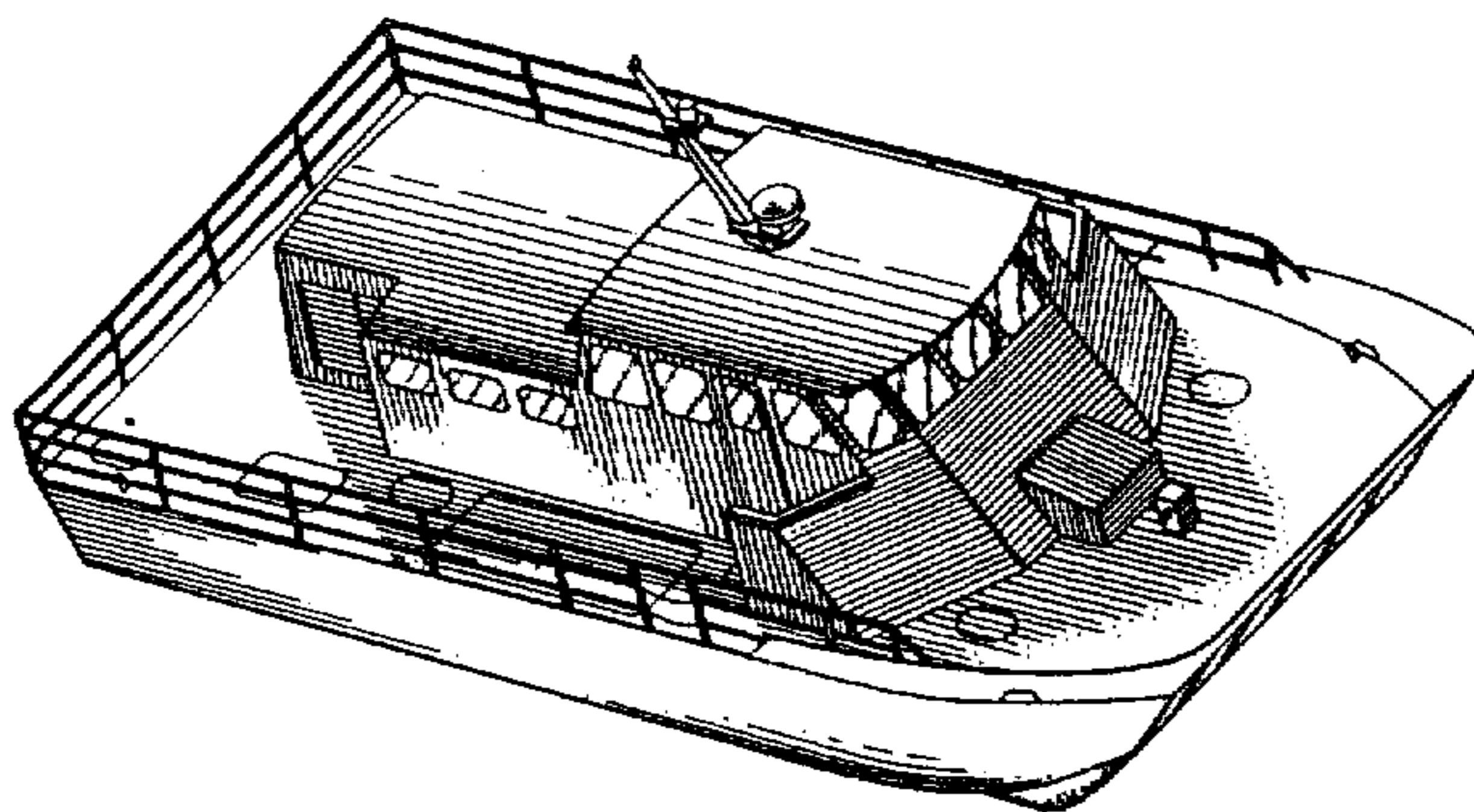
Primary Examiner—James M. Gandy
Assistant Examiner—Kay H. Chin
Attorney, Agent, or Firm—Bean, Kauffman & Bean

[57] **CLAIM**

The ornamental design for a surface effect ship, as shown and described.

DESCRIPTION

FIG. 1 is a top perspective view of a surface effect ship, showing my new design;
FIG. 2 is a front end elevational view thereof;
FIG. 3 is a rear end elevational view thereof;
FIG. 4 is a top plan view thereof; and
FIG. 5 is a side elevational view thereof, the opposite side being a mirror image of that shown.



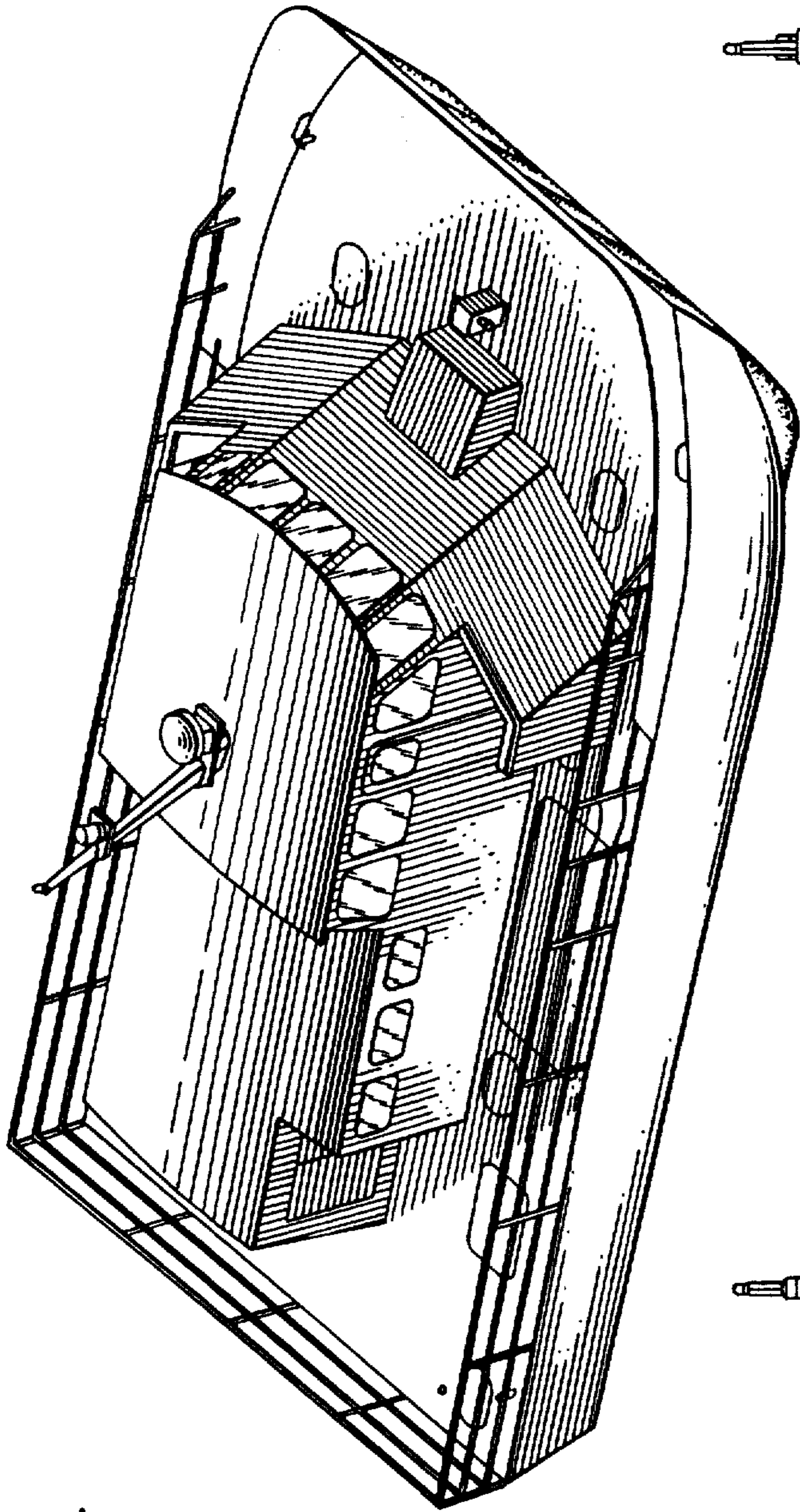


Fig. 1.

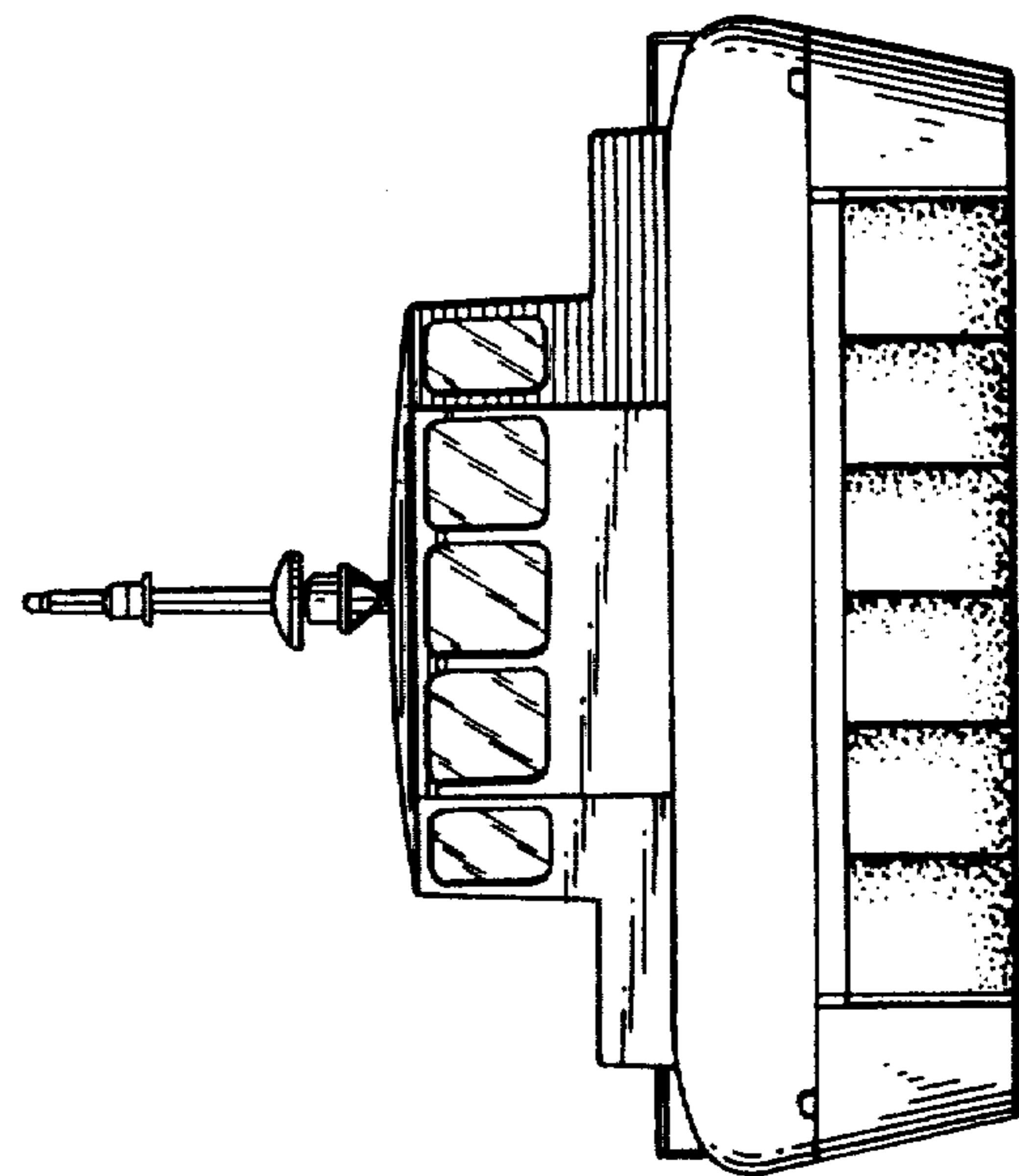


Fig. 2.

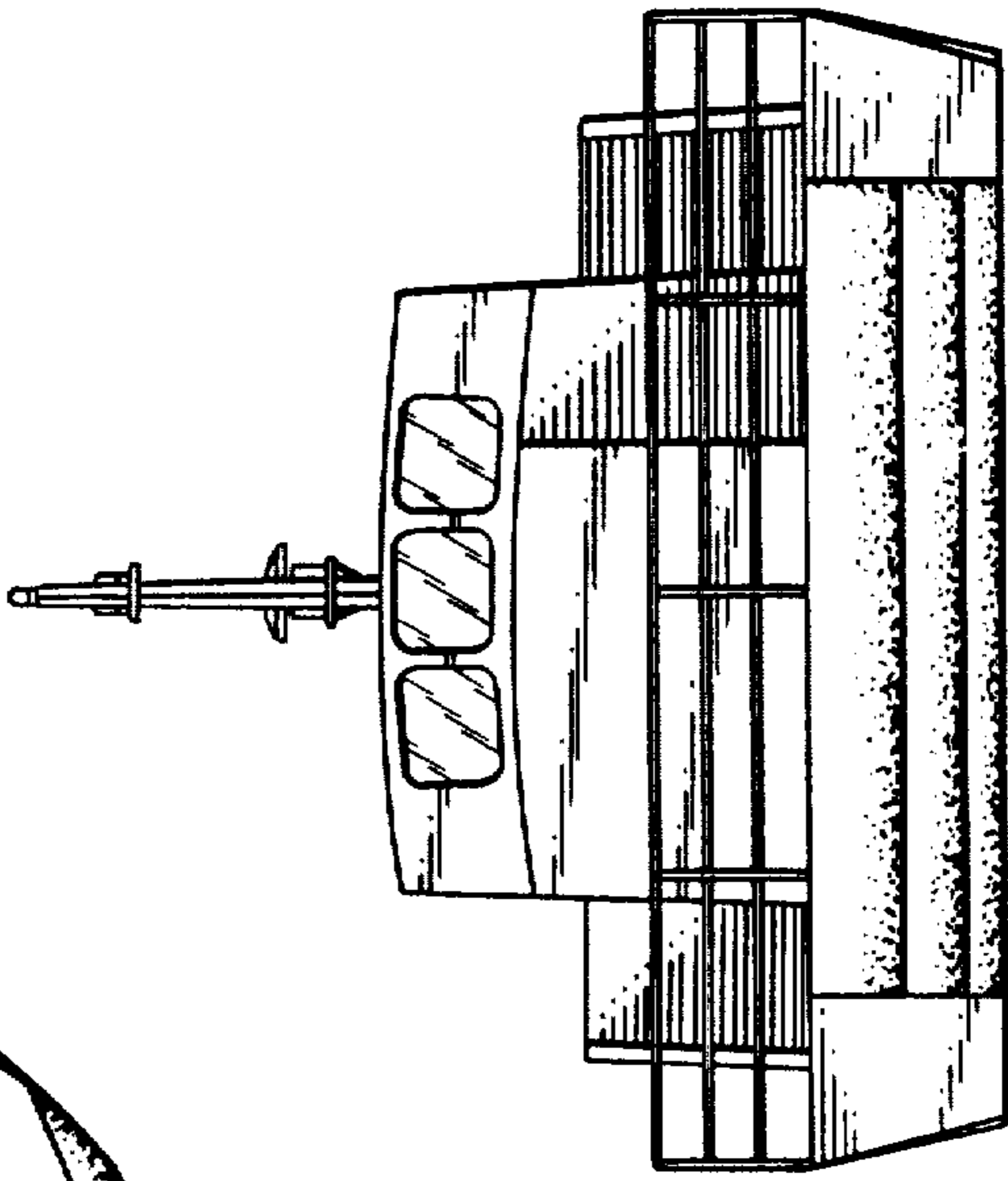


Fig. 3.

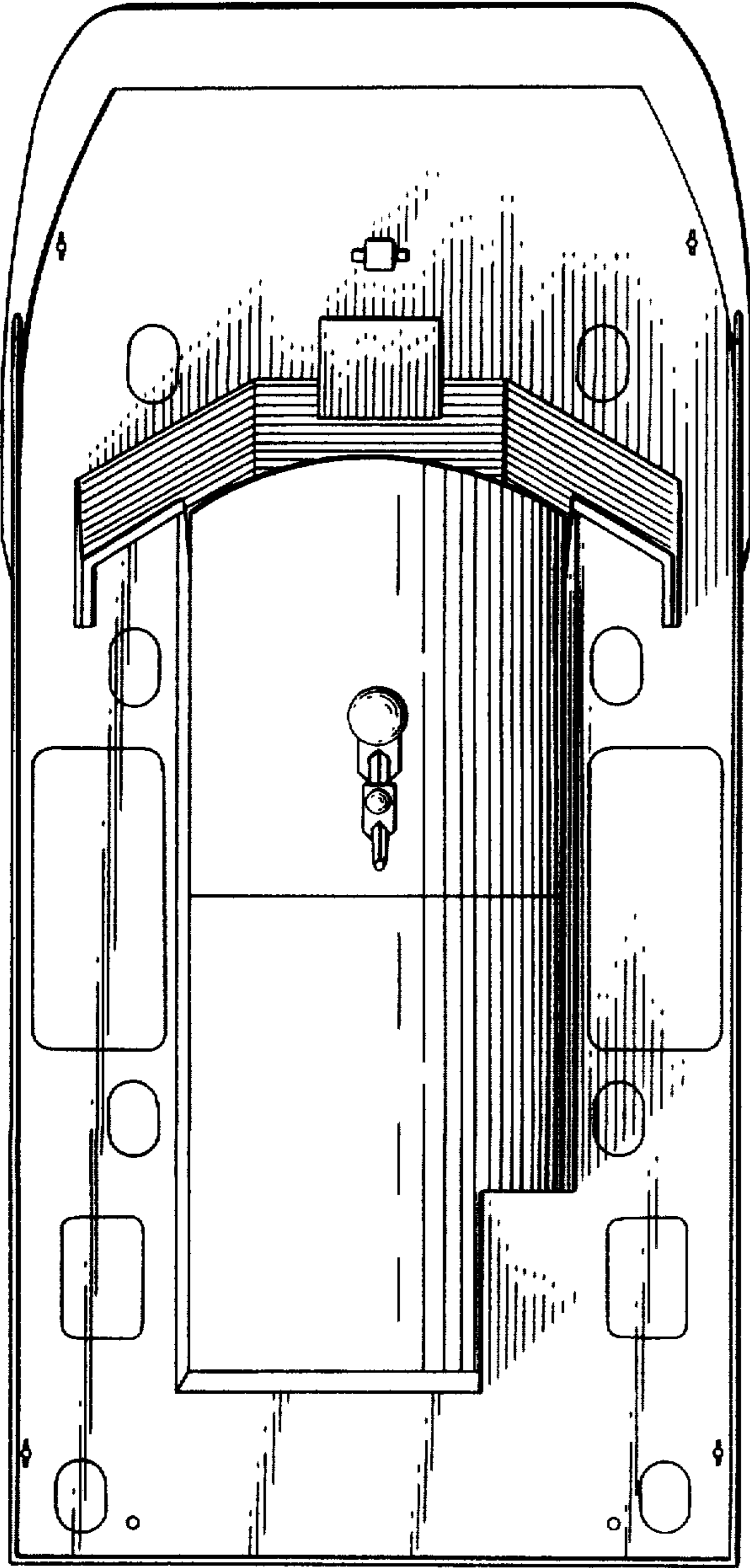


Fig. 4.

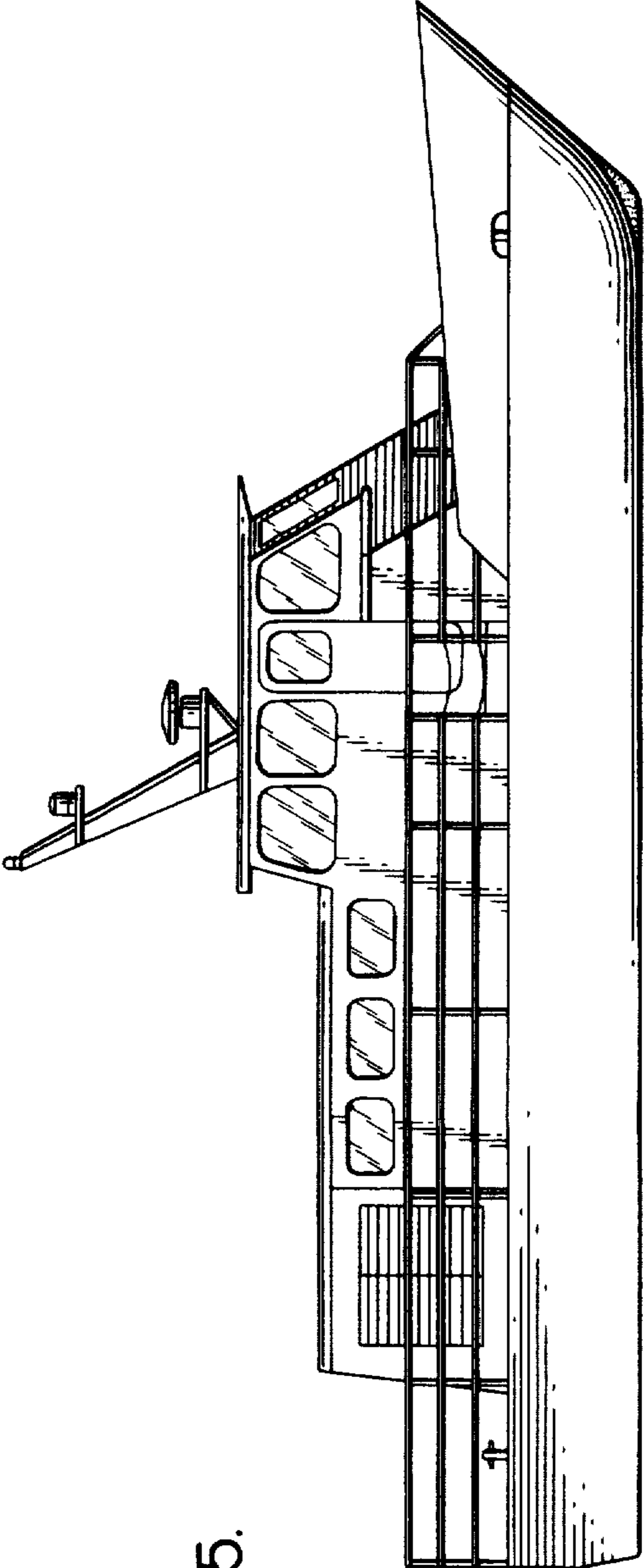


Fig. 5.