

# United States Patent [19]

Woods

[11] Patent Number: Des. 276,897

[45] Date of Patent: \*\* Dec. 25, 1984

[54] TELESCOPING MEASURING STICK

4,423,554 1/1984 Cantrell ..... 33/161 X

[76] Inventor: Stephanie C. Woods, 2119 Union Ridge Rd., Placerville, Calif. 95667

Primary Examiner—Nelson C. Holtje  
Attorney, Agent, or Firm—Lothrop & West

[\*\*] Term: 14 Years

[57] CLAIM

[21] Appl. No.: 415,626

The ornamental design for a telescoping measuring stick, as shown and described.

[22] Filed: Sep. 7, 1982

[52] U.S. Cl. .... D10/70; D10/69

[58] Field of Search ..... D10/70, 71, 73; 33/161, 33/169 R, 2, 293-296; D6/28

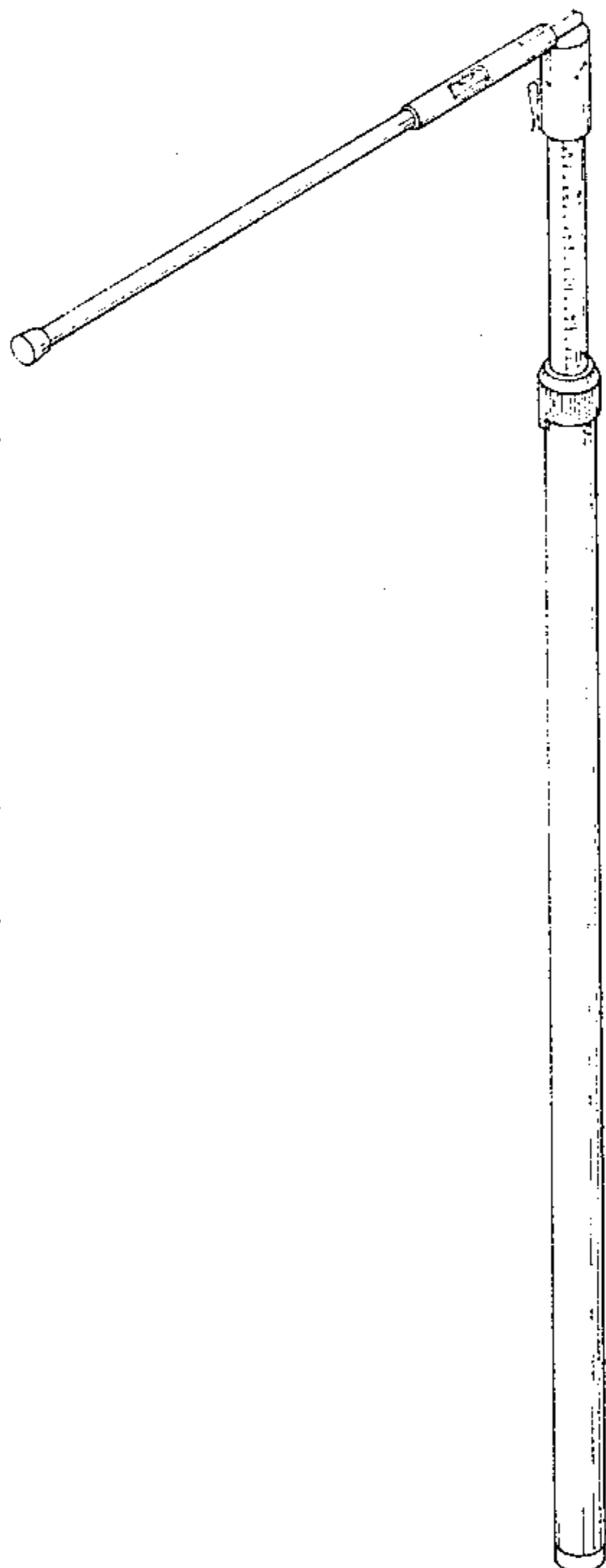
### DESCRIPTION

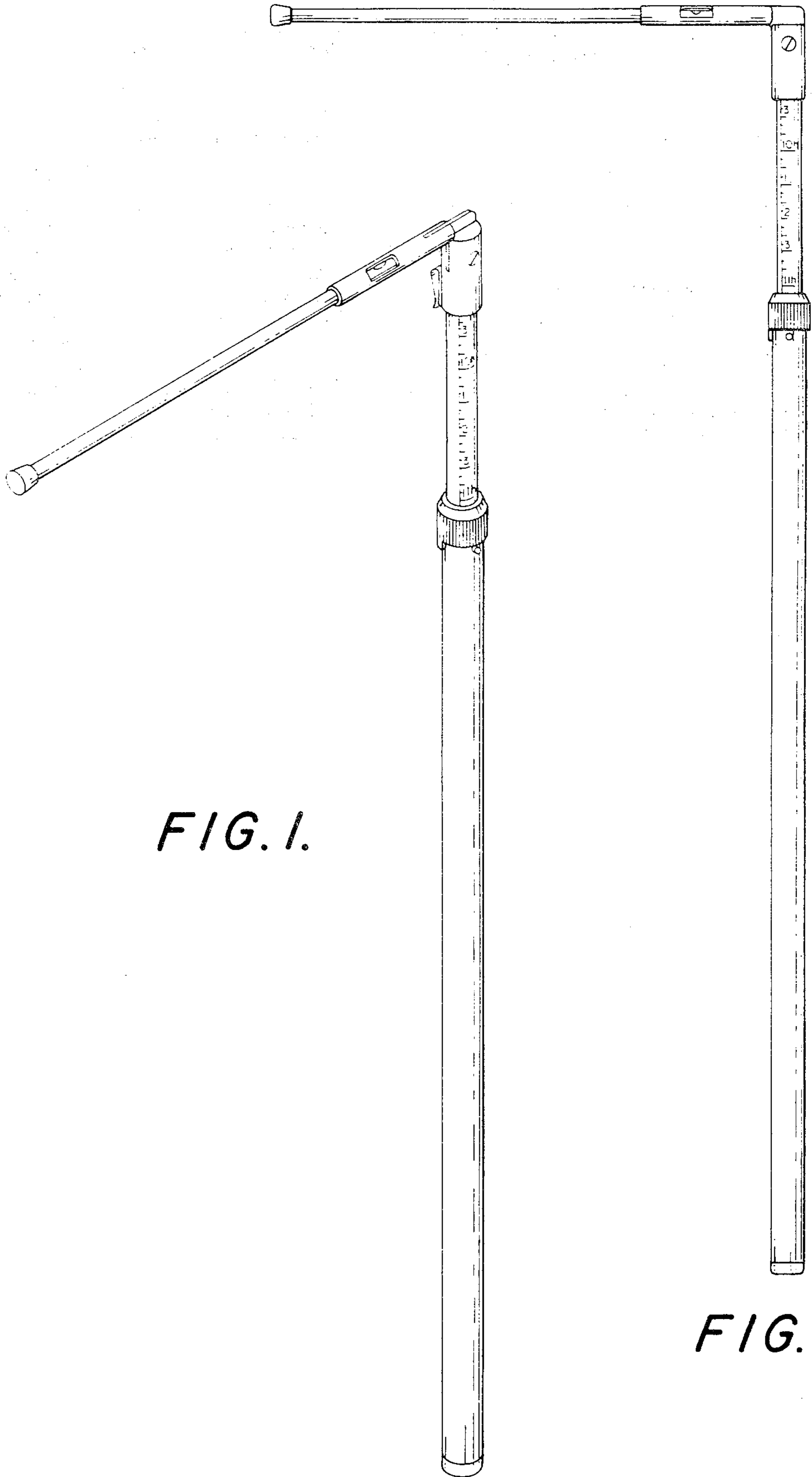
[56] References Cited

#### U.S. PATENT DOCUMENTS

D. 217,473 5/1970 Barbee ..... D6/28  
D. 786,517 11/1959 Walsh ..... D6/28  
1,371,281 3/1921 Weber ..... 33/169 R  
3,137,943 6/1964 Mechaneck ..... D10/70  
3,808,694 5/1974 Hutchinson ..... D10/70 X

FIG. 1 is a left front perspective view of a telescoping measuring stick showing my new design, showing the measuring arm in the extended position;  
FIG. 2 is a front elevational view thereof;  
FIG. 3 is a left side elevational view thereof;  
FIG. 4 is a rear elevational view thereof;  
FIG. 5 is a right side elevational view thereof;  
FIG. 6 is a top plan view thereof;  
FIG. 7 is a bottom plan view thereof;  
FIG. 8 is a front elevational view thereof with the measuring arm in a folded position.





*FIG. 1.*

*FIG. 2.*

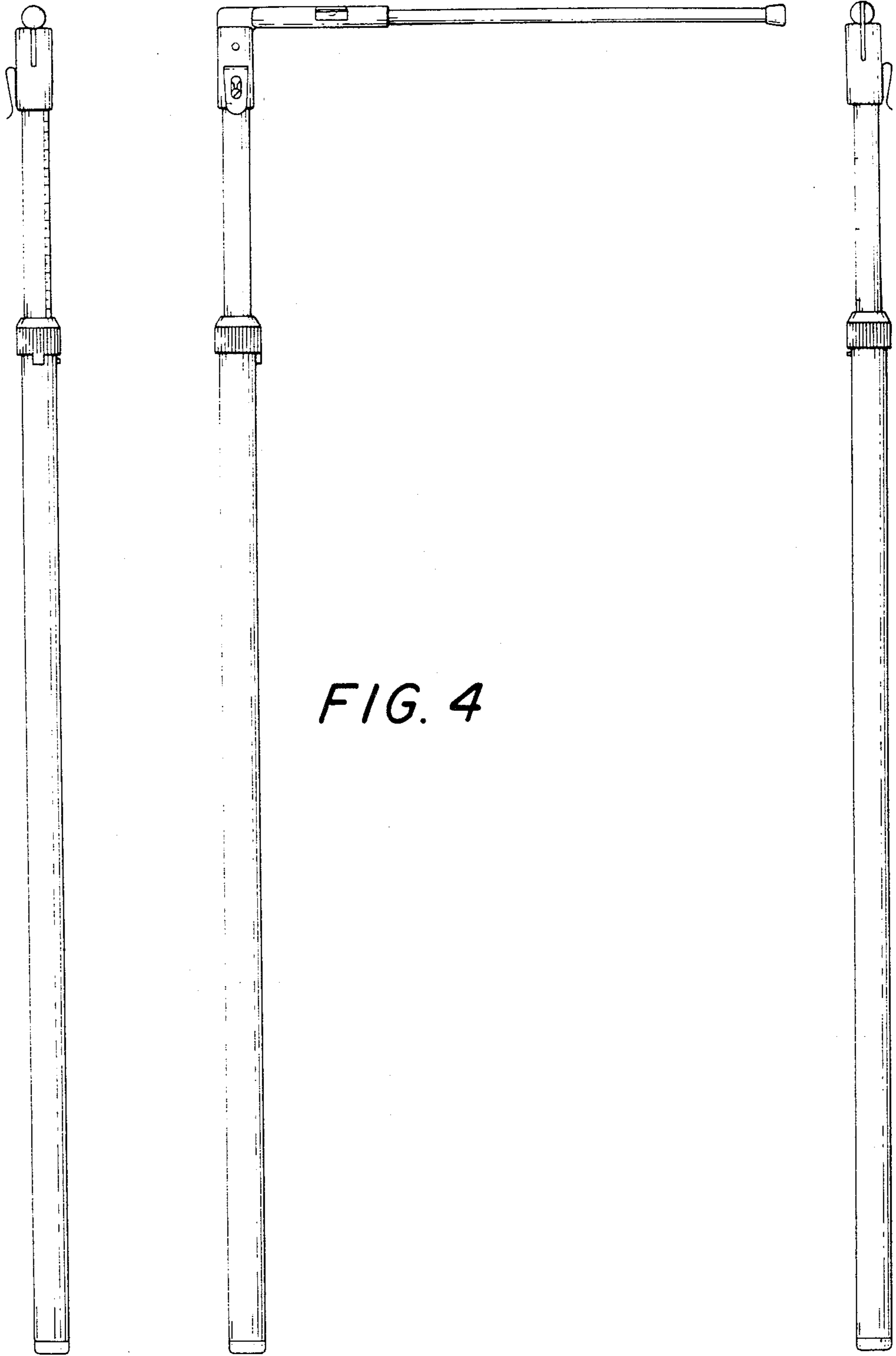


FIG. 4

FIG. 3

FIG. 5.

FIG. 6.

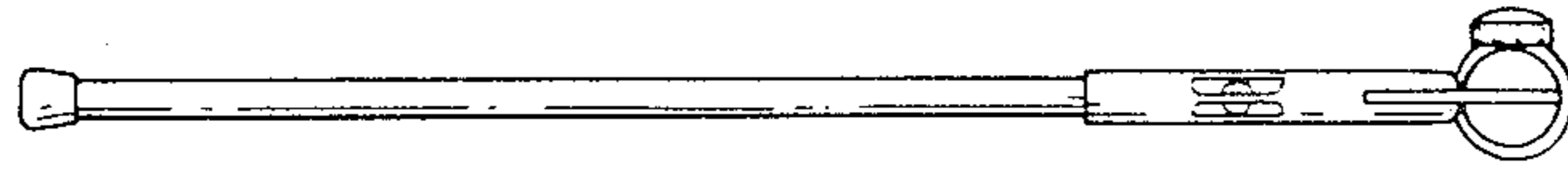


FIG. 7.

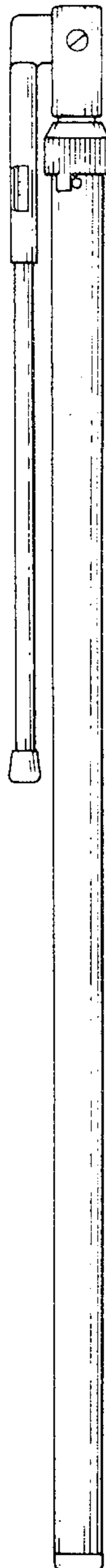
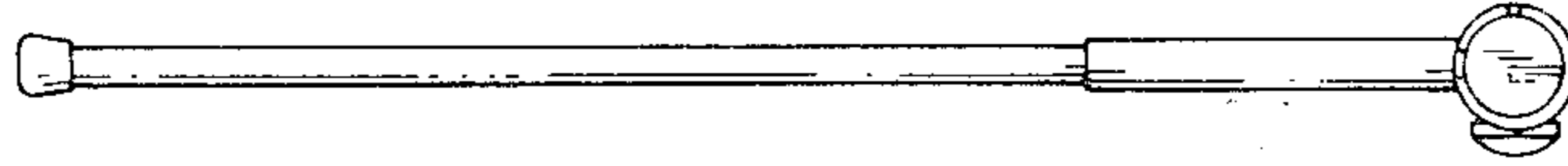


FIG. 8.