

[54] PENDULUM CLOCK

[76] Inventor: Hiroshi Masuda, No. 1-26, Sugita 5 chome, Isoko-ku, Yokohama City, Kanagawa Prefecture, Japan

[**] Term: 14 Years

[21] Appl. No.: 416,518

[22] Filed: Sep. 9, 1982

[52] U.S. Cl. D10/22

[58] Field of Search D10/1, 2, 6, 16, 22, D10/23, 130; D6/243, 245; 368/179, 180, 181

[56] References Cited

U.S. PATENT DOCUMENTS

- D. 35,361 12/1901 Savage D6/245
- D. 97,780 12/1935 Patten D10/22
- D. 152,808 2/1949 Lerman D10/22 X
- D. 226,529 3/1973 Daher D10/22

- D. 253,522 11/1979 Rutenberg D10/22
- D. 259,105 5/1981 Hocq D10/23
- 1,136,520 4/1915 Fukami D10/23
- 1,928,296 9/1933 Lux 368/179

Primary Examiner—Nelson C. Holtje
Attorney, Agent, or Firm—Jordan and Hamburg

[57] CLAIM

The ornamental design for pendulum clock, as shown and described.

DESCRIPTION

FIG. 1 is a front perspective view of a pendulum clock showing my new design;
 FIG. 2 is a front elevational view thereof;
 FIG. 3 is a right side elevational view thereof, the left side being a mirror image thereof;
 FIG. 4 is a rear elevational view thereof;
 FIG. 5 is a top plan view thereof; and
 FIG. 6 is a bottom plan view thereof.

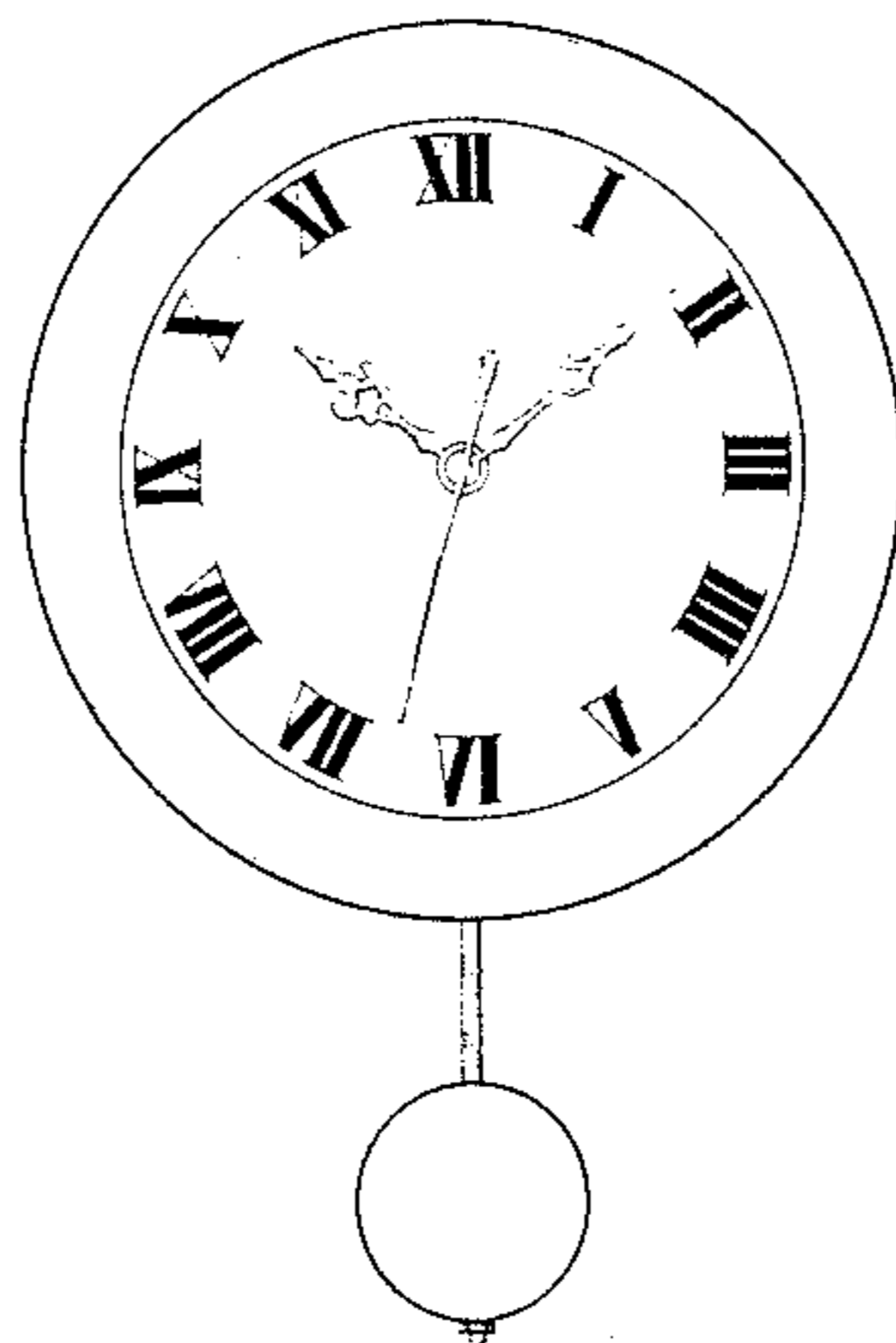


FIG. 1

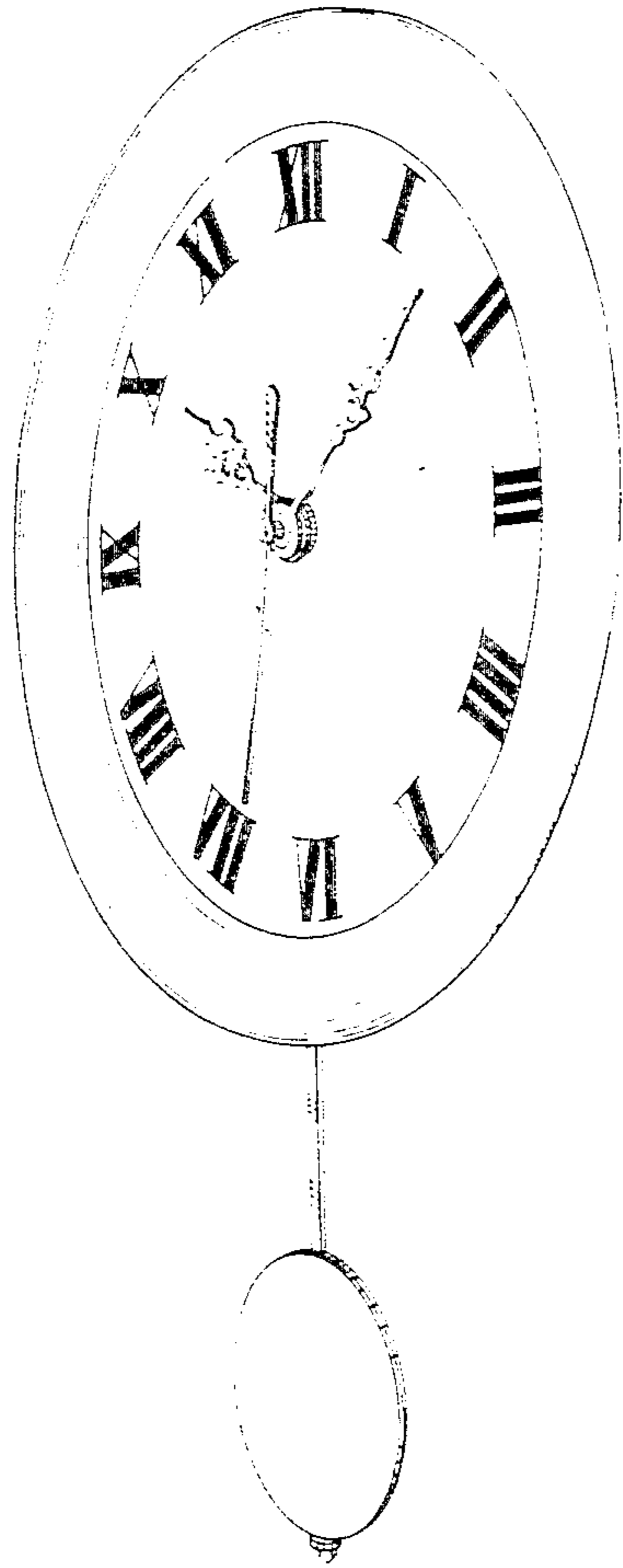


FIG. 2

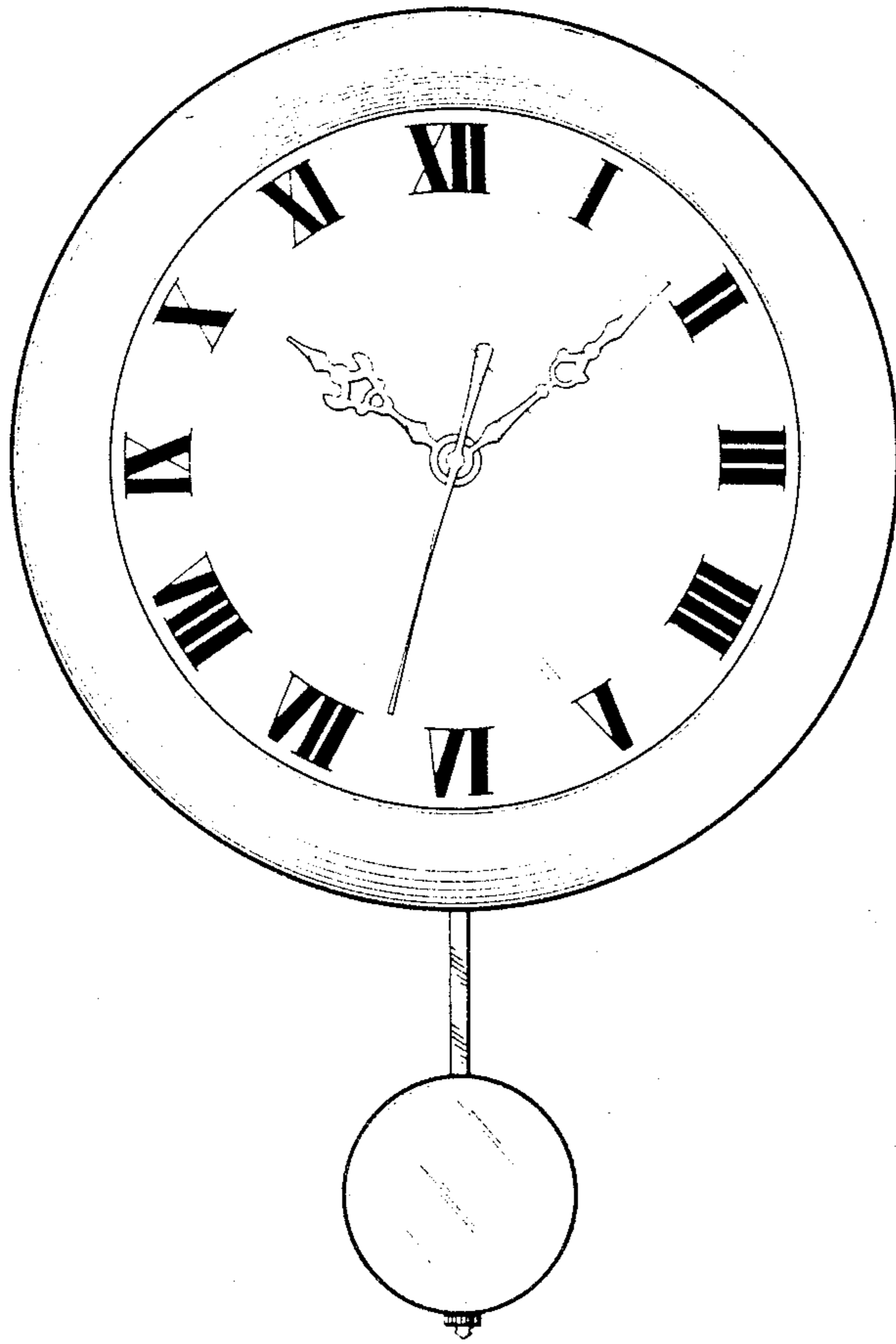


FIG. 3

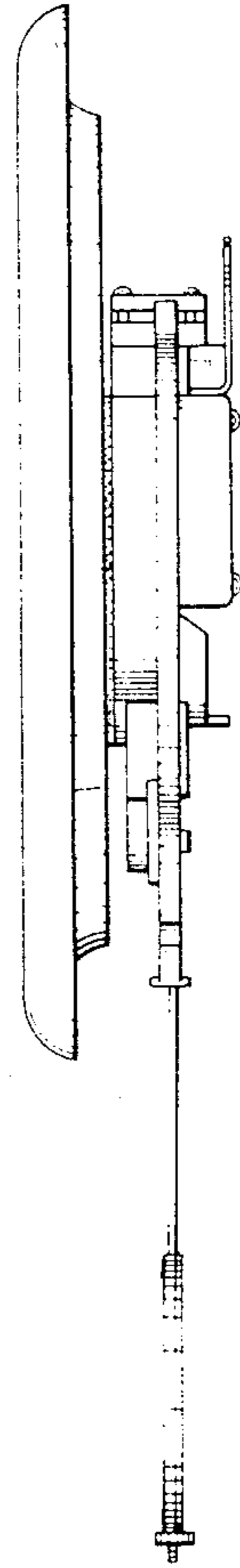


FIG. 4

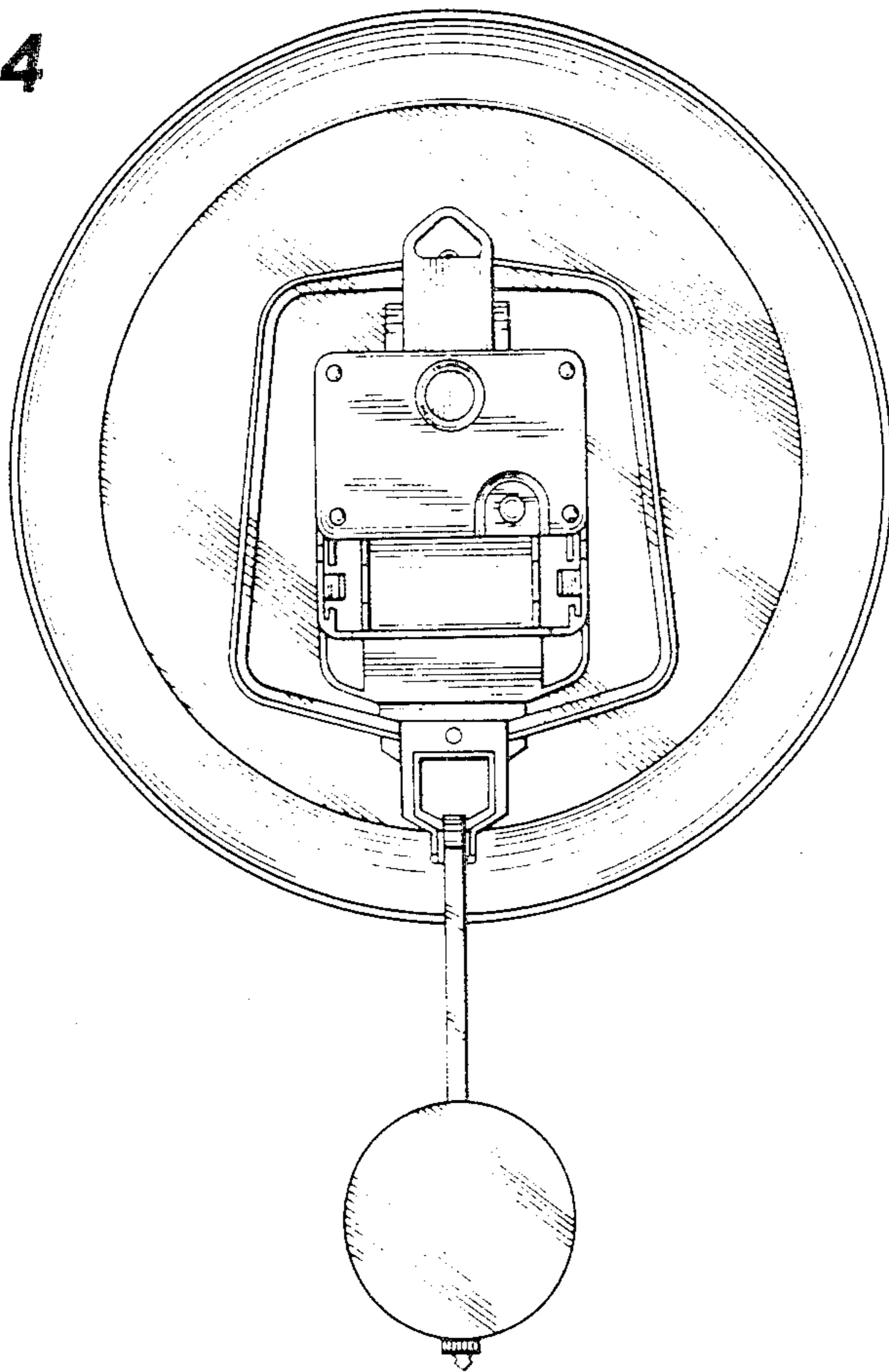


FIG. 5

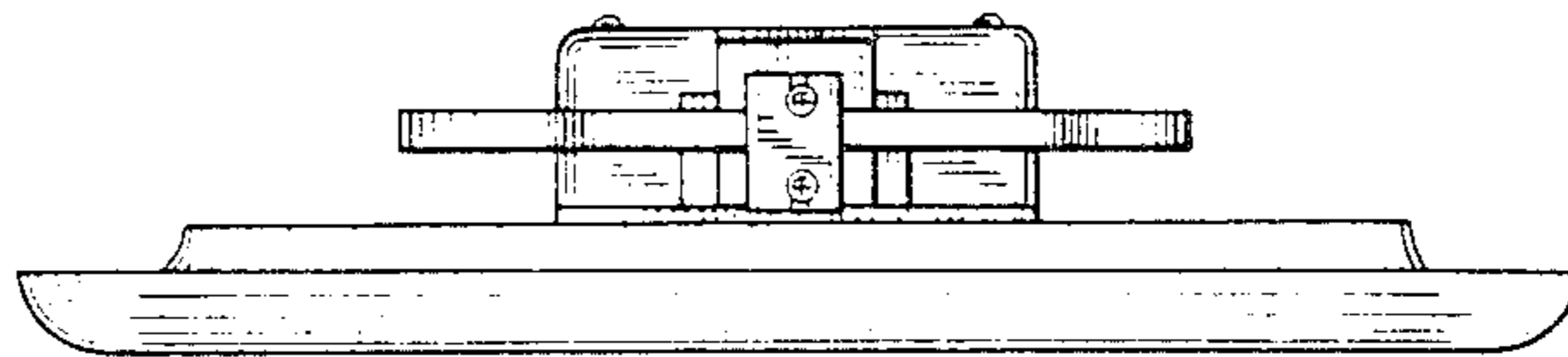


FIG. 6

