

[54] COMBINED CONTAINER CAP AND  
HOLDER FOR LIGHTER REFILL  
ADAPTERS

D. 252,133 6/1979 Fitzgerald et al. .... D9/436  
D. 272,235 1/1984 Orlando ..... D9/436  
3,090,067 5/1963 Welby et al. .... D9/436 X  
3,424,355 1/1969 Blumen ..... D9/436 X  
4,170,316 10/1979 La Barbera ..... D9/445 X

[75] Inventor: David G. Whatley, Stoke-on-Trent,  
England

Primary Examiner—Robert C. Spangler  
Attorney, Agent, or Firm—John J. Byrne; Bradford E.  
Kile; Kevin M. O'Brien

[73] Assignee: Permafex, Ltd., Stoke-on-Trent,  
England

[\*\*] Term: 14 Years

[57] CLAIM

[21] Appl. No.: 356,624

The ornamental design for a combined container cap  
and holder for lighter refill adaptors, as shown and  
described.

[22] Filed: Mar. 10, 1982

[52] U.S. Cl. .... D9/436; D9/445

[58] Field of Search ..... D9/436, 445; 215/227

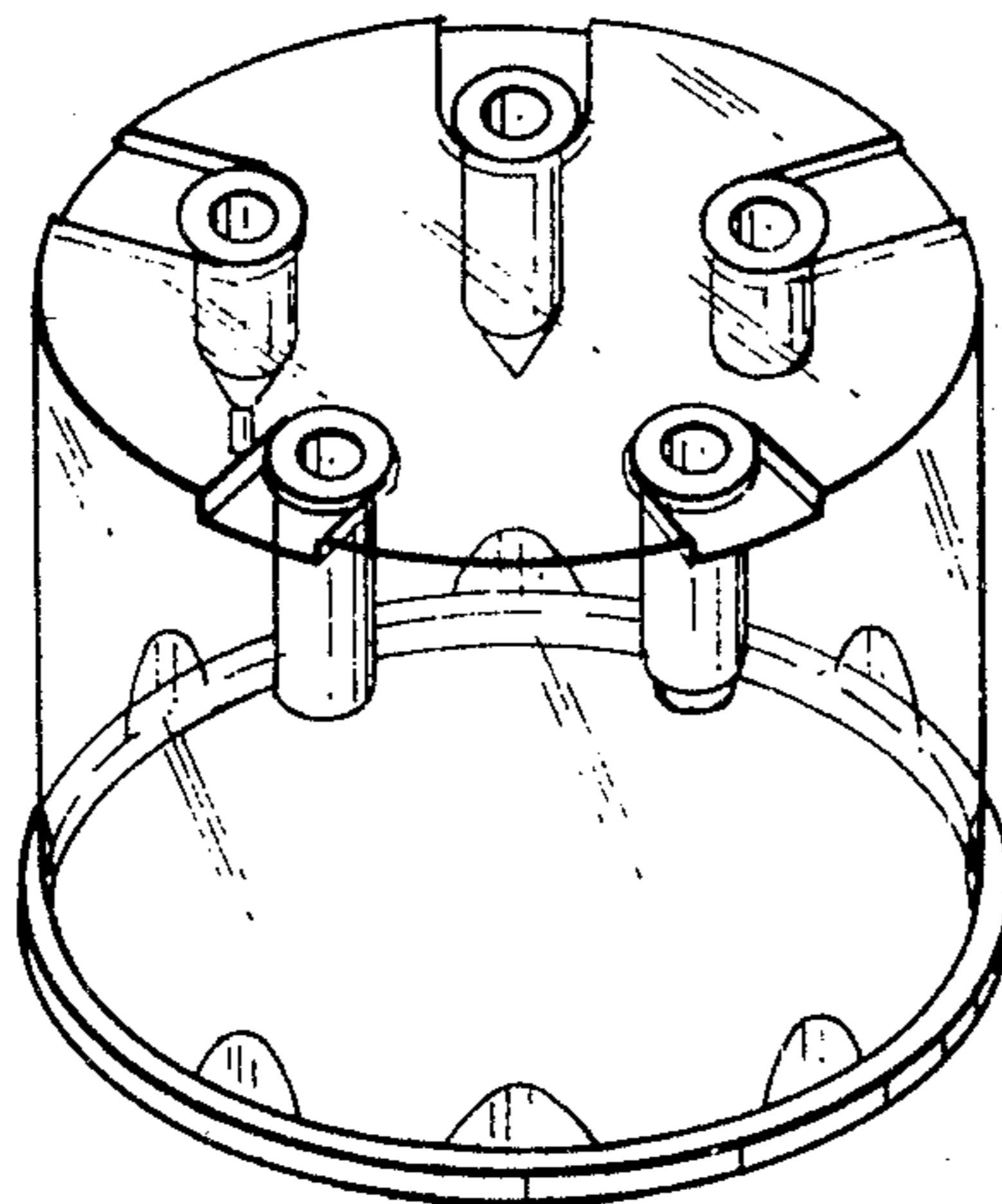
DESCRIPTION

[56] References Cited

U.S. PATENT DOCUMENTS

D. 176,583 1/1956 Bandfield et al. .... D9/436  
D. 205,102 6/1966 Pawelka et al. .... D9/436

FIG. 1 is a perspective view of a combined container  
cap and holder for lighter refill adaptors showing my  
new design;  
FIG. 2 is a top plan view;  
FIG. 3 is an bottom plan view;  
FIG. 4 is a side elevational view thereof.



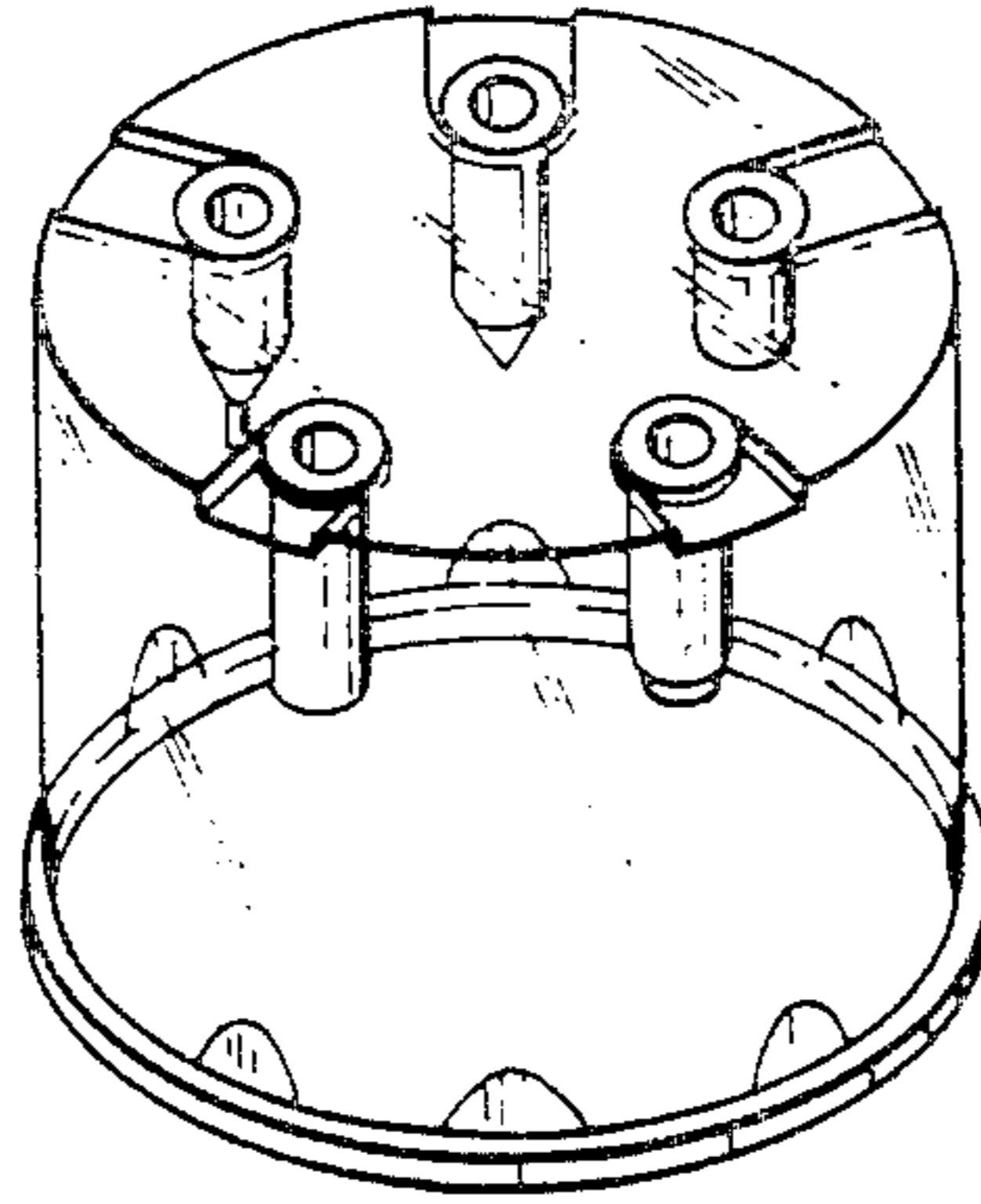


FIG. 1.

FIG. 2.

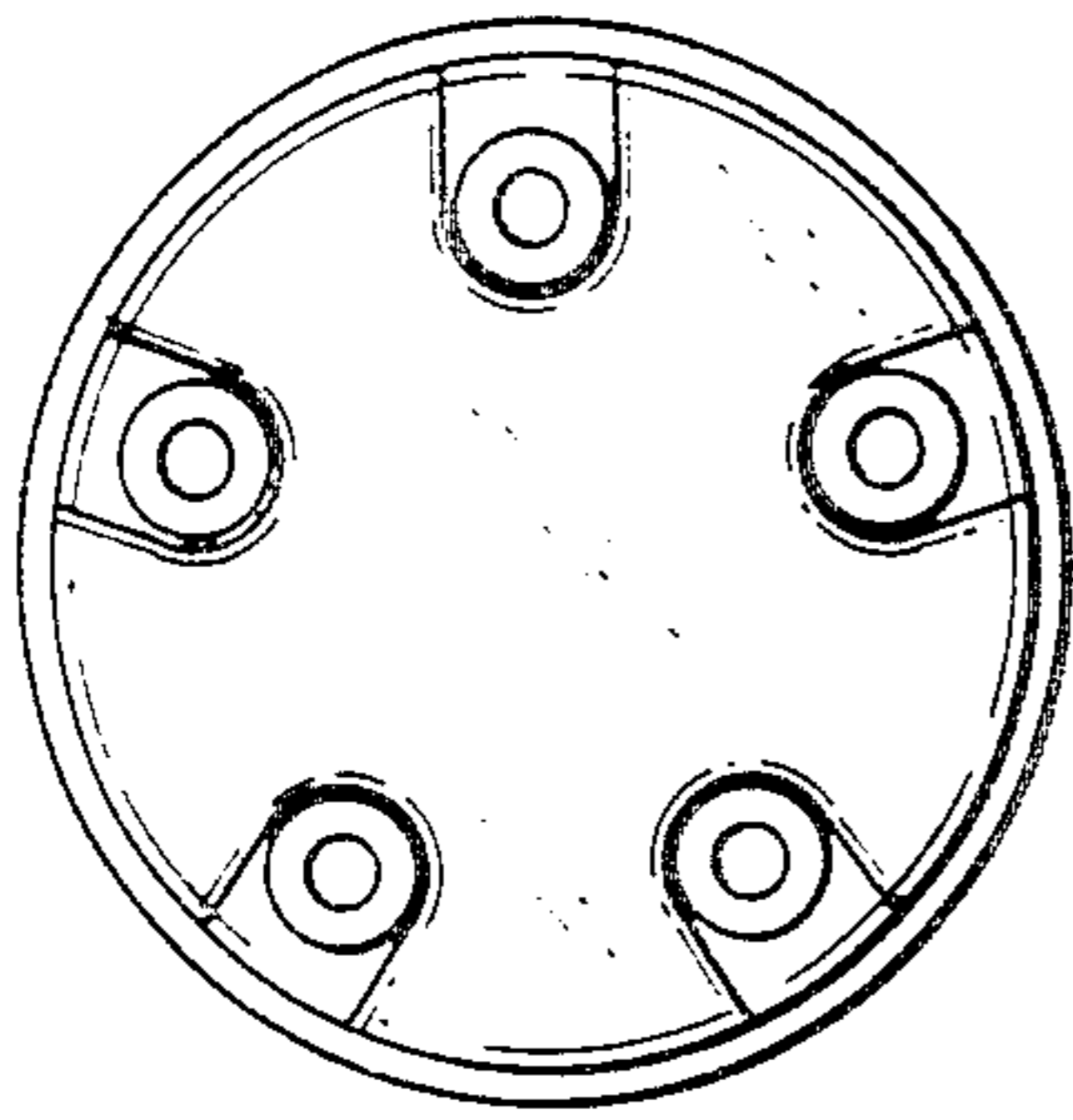


FIG. 3.

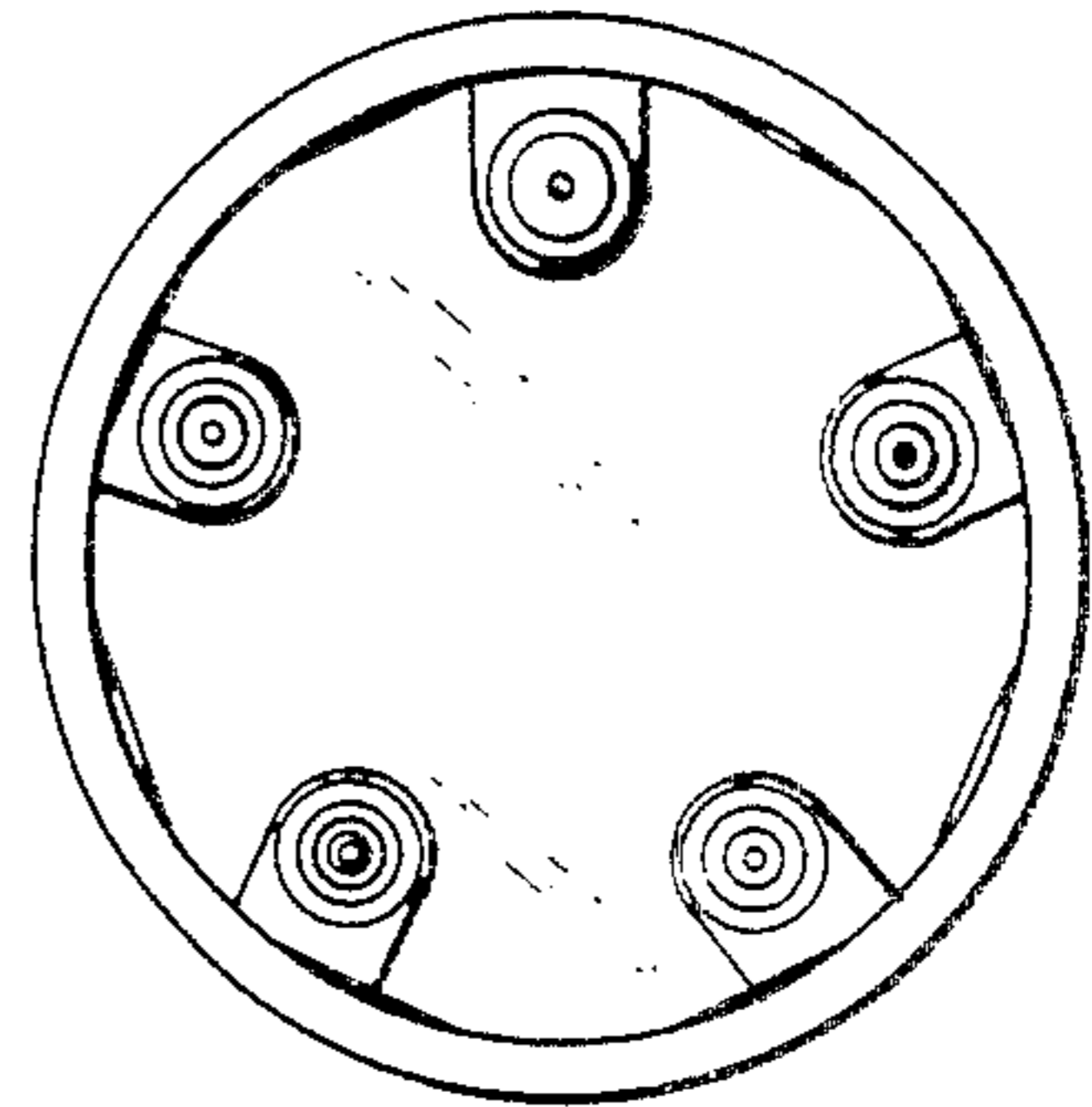


FIG. 4.

