

[54] **KNIFE SHARPENER**

[75] Inventor: **Larry D. Carter**, Mosinee, Wis.
[73] Assignee: **Oy Fiskars AB**, Helsinki, Finland
[**] Term: **14 Years**
[21] Appl. No.: **454,442**
[22] Filed: **Dec. 29, 1982**
[52] U.S. Cl. **D8/93; D8/91**
[58] Field of Search **D8/90, 91, 92, 93, 94;**
D15/124, 125, 126; 51/204 R, 205 R, 206.4,
214, 205 NG, 363, 391, 392, 393; 76/82, 82.2,
84; 269/3

[56] **References Cited**
U.S. PATENT DOCUMENTS

D. 241,504 9/1976 Krusche D8/91 X
823,279 6/1906 Kellogg 51/214 X

FOREIGN PATENT DOCUMENTS

7522171 11/1976 France 76/82
1984473 6/1938 Switzerland 76/82

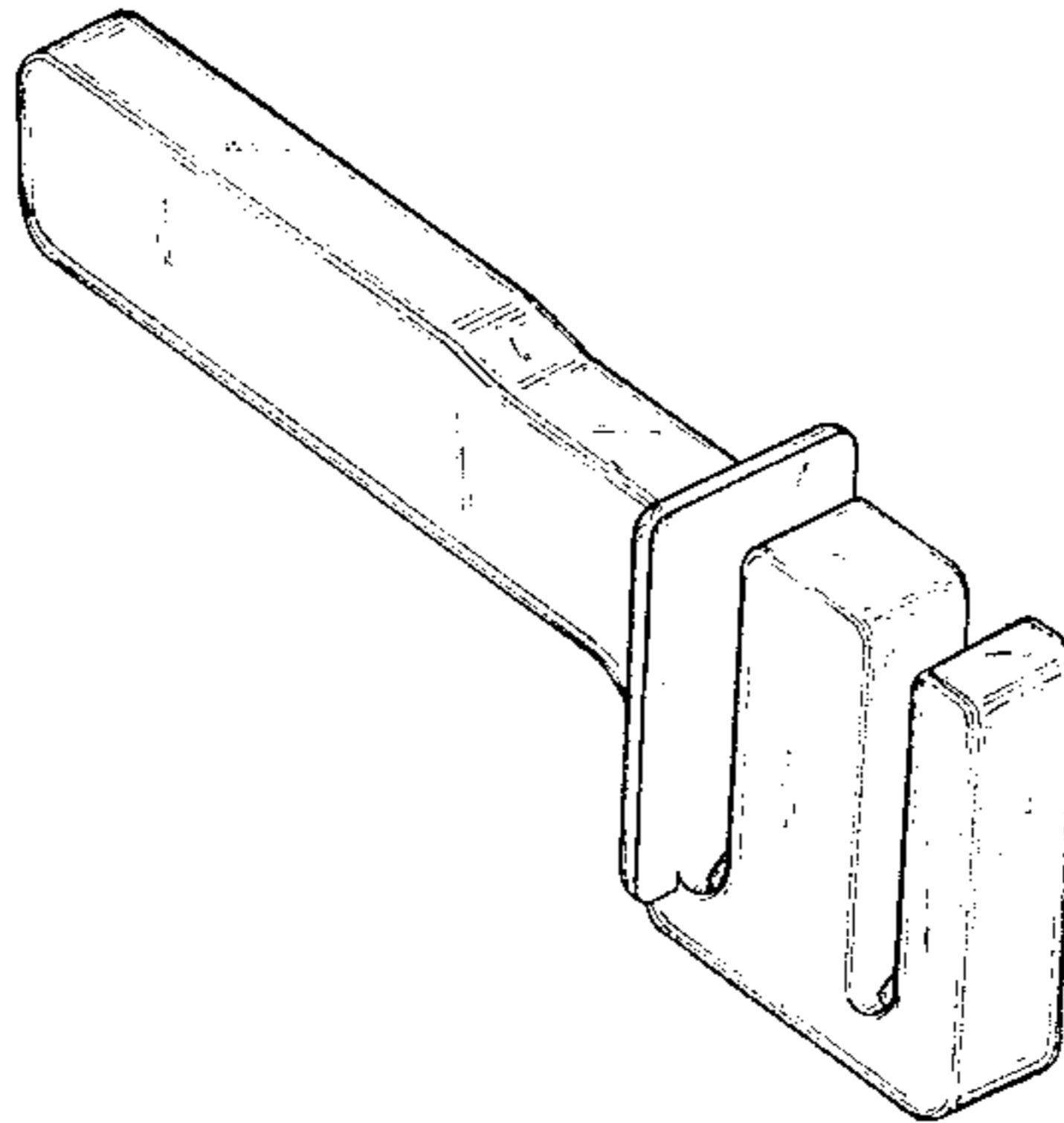
Primary Examiner—Susan J. Lucas
Assistant Examiner—Clare E. Heflin
Attorney, Agent, or Firm—James E. Nilles

[57] **CLAIM**

The ornamental design for a knife sharpener, substantially as shown and described.

DESCRIPTION

FIG. 1 is a perspective view of a knife sharpener showing my new design;
FIG. 2 is a top plan view thereof;
FIG. 3 is a front elevational view thereof;
FIG. 4 is a rear elevational view thereof;
FIG. 5 is a bottom plan view thereof;
FIG. 6 is a right side elevational view thereof;
FIG. 7 is a left side elevational view thereof.



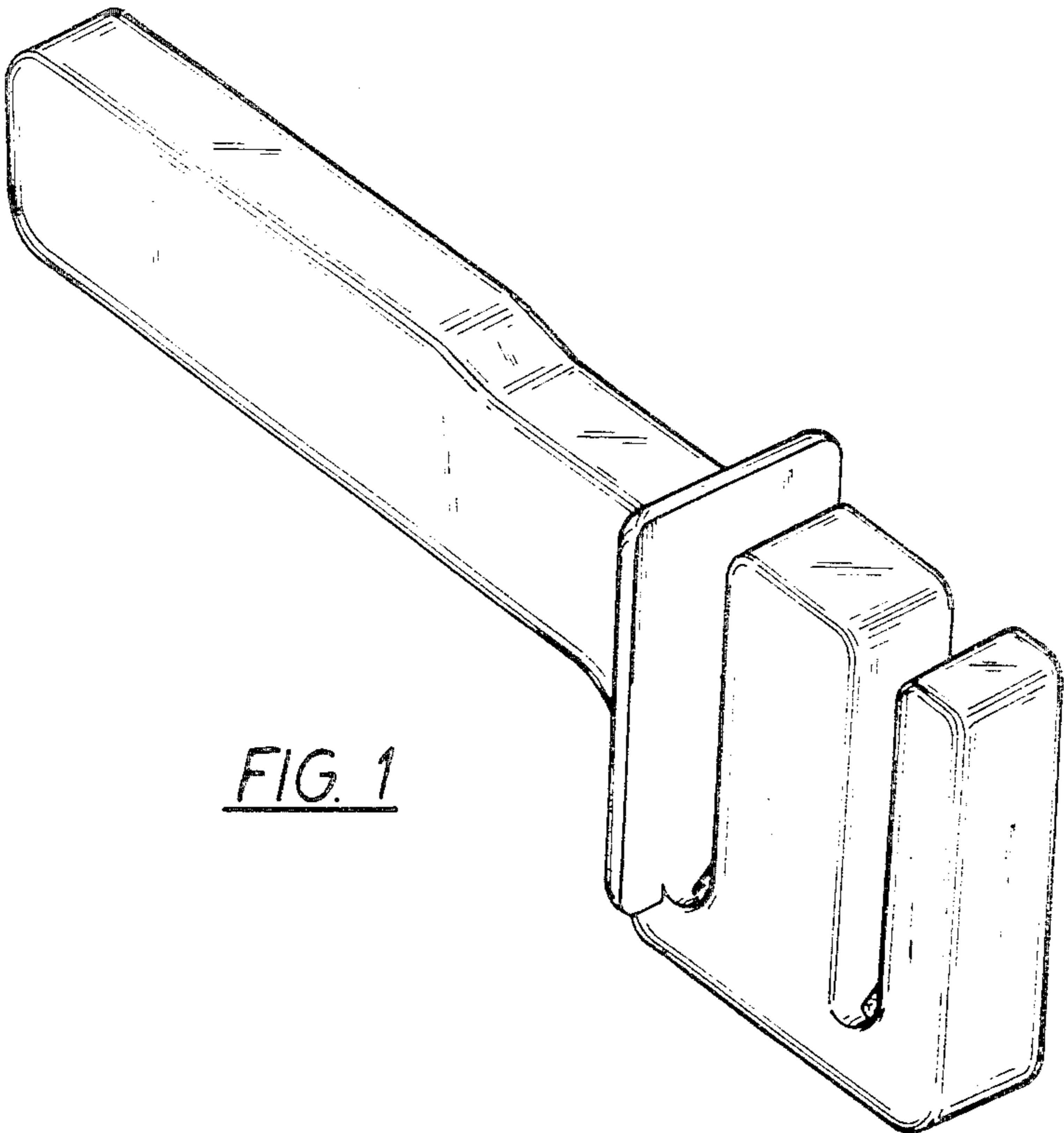


FIG. 1

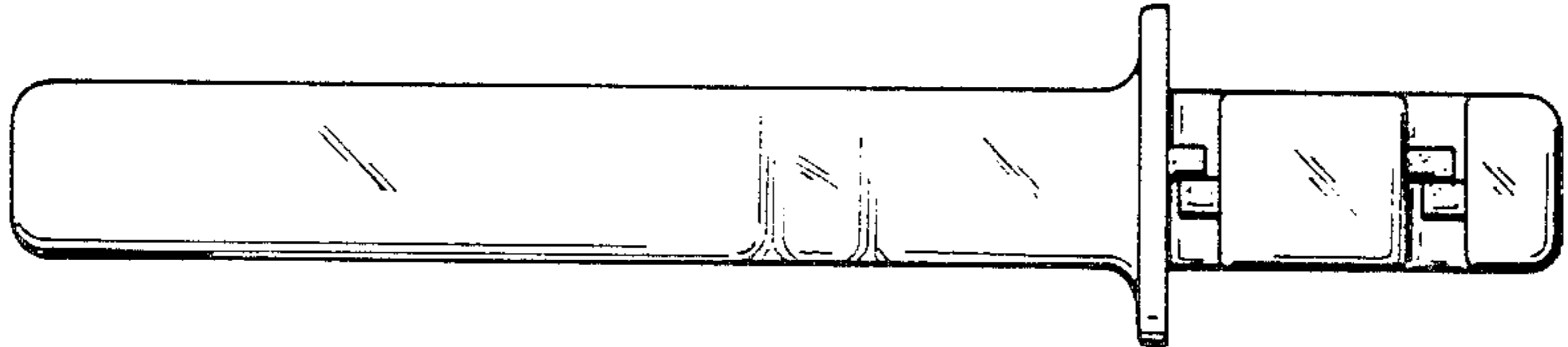


FIG. 2

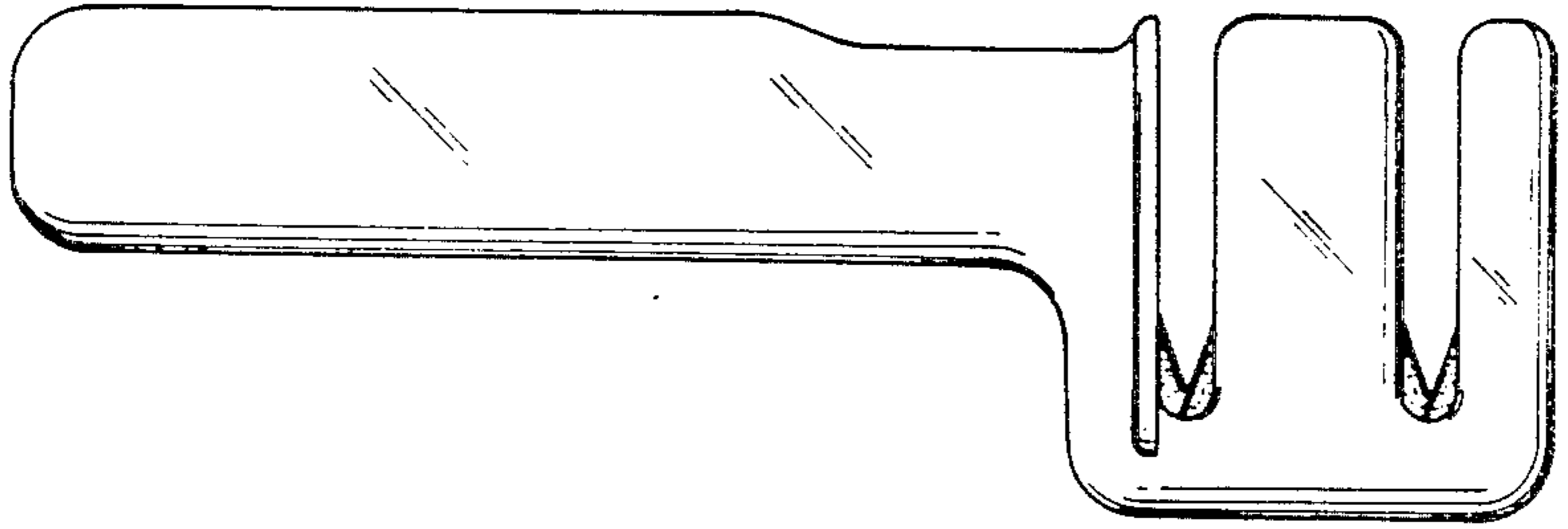


FIG. 3

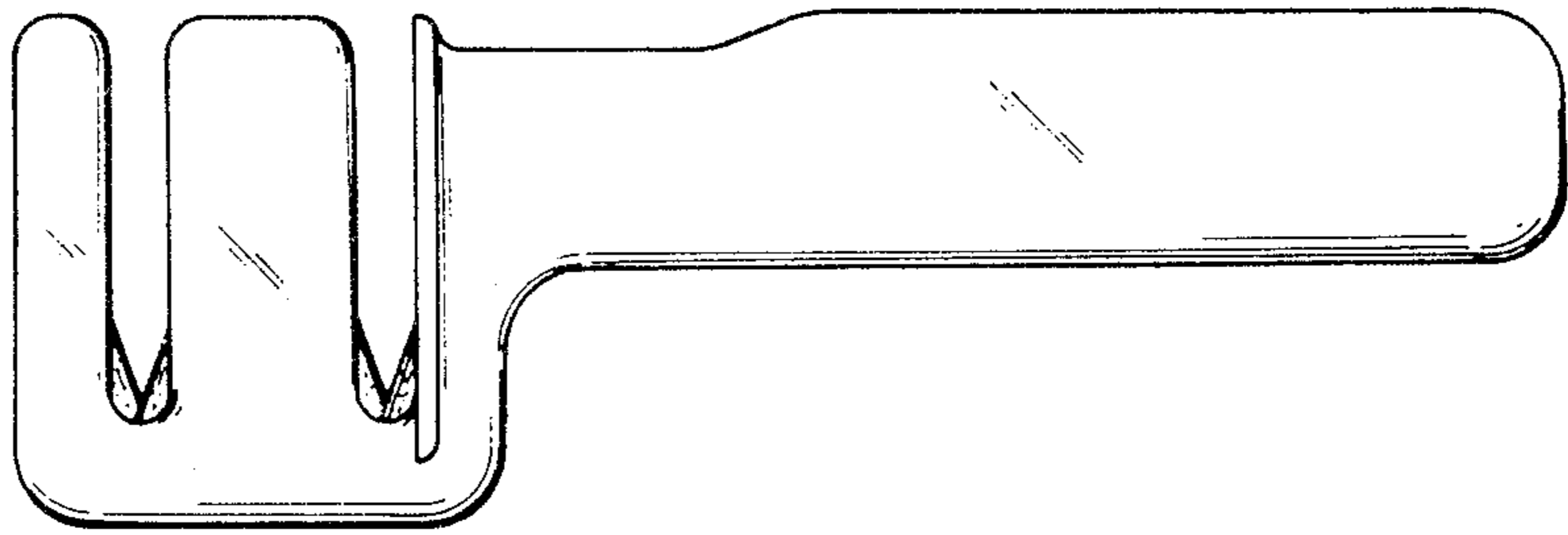


FIG. 4

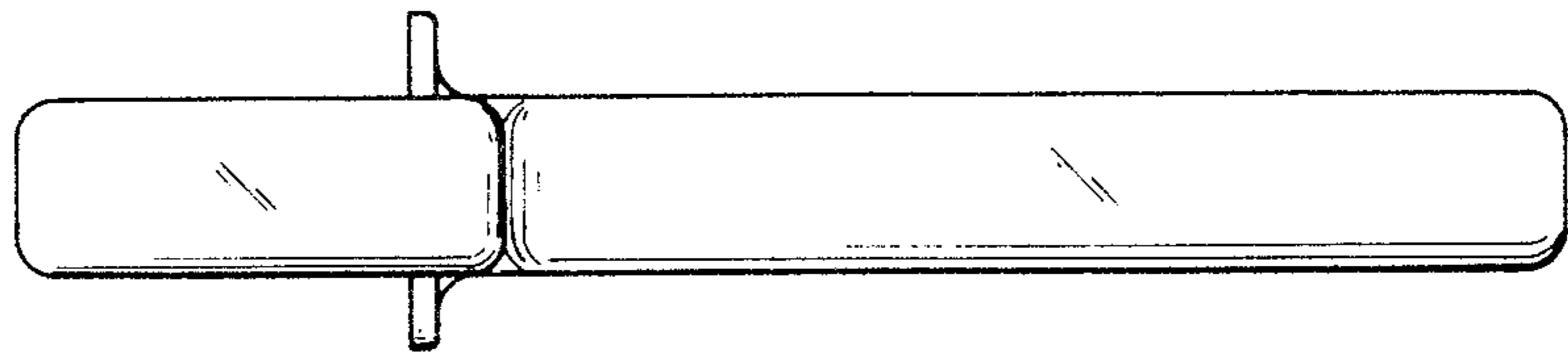


FIG. 5

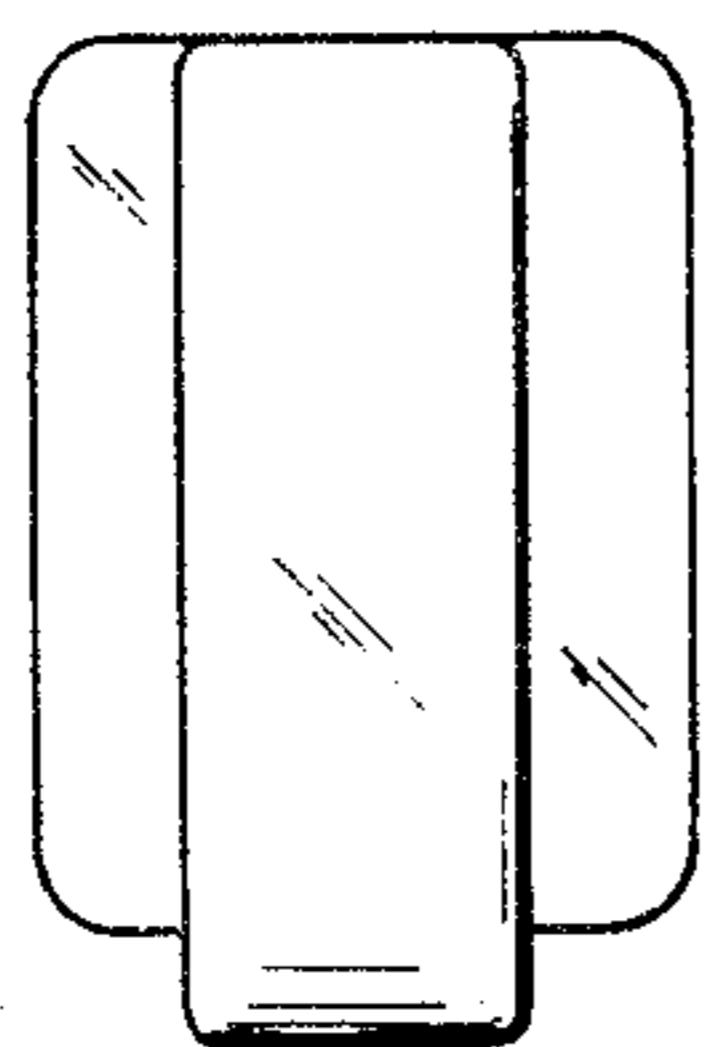


FIG. 6

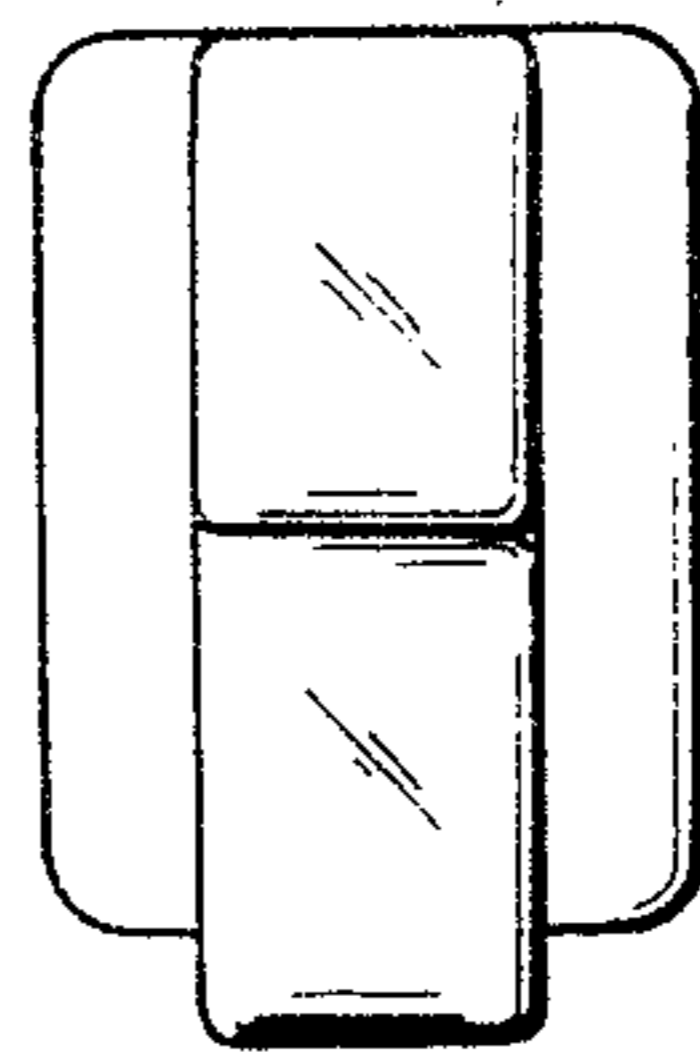


FIG. 7