

[54] **SCISSORS SHARPENER**

2,507,826 5/1950 Spencer D8/93 X

[75] Inventor: **Douglas J. Hall**, Schofield, Wis.

Primary Examiner—Susan J. Lucas

[73] Assignee: **Oy Fiskars AB**, Helsinki, Finland

Assistant Examiner—Clare E. Heflin

Attorney, Agent, or Firm—James E. Nilles

[**] Term: **14 Years**

[57] **CLAIM**

[21] Appl. No.: **454,439**

The ornamental design for a scissors sharpener, substantially as shown and described.

[22] Filed: **Dec. 29, 1982**

DESCRIPTION

[52] U.S. Cl. **D8/93; D8/91**

[58] Field of Search D8/90, 91, 92, 93, 94;
D15/124, 125, 126; 51/204 R, 205 R, 206.4,
214, 205 WG, 363, 391, 392, 393; 76/82, 82.2,
84; 269/3

FIG. 1 is a perspective view of a scissors sharpener showing my new design;

FIG. 2 is a front elevational view thereof on an enlarged scale, the rear being identical;

FIG. 3 is a left side elevational view thereof on an enlarged scale;

FIG. 4 is a right side elevational view thereof on an enlarged scale;

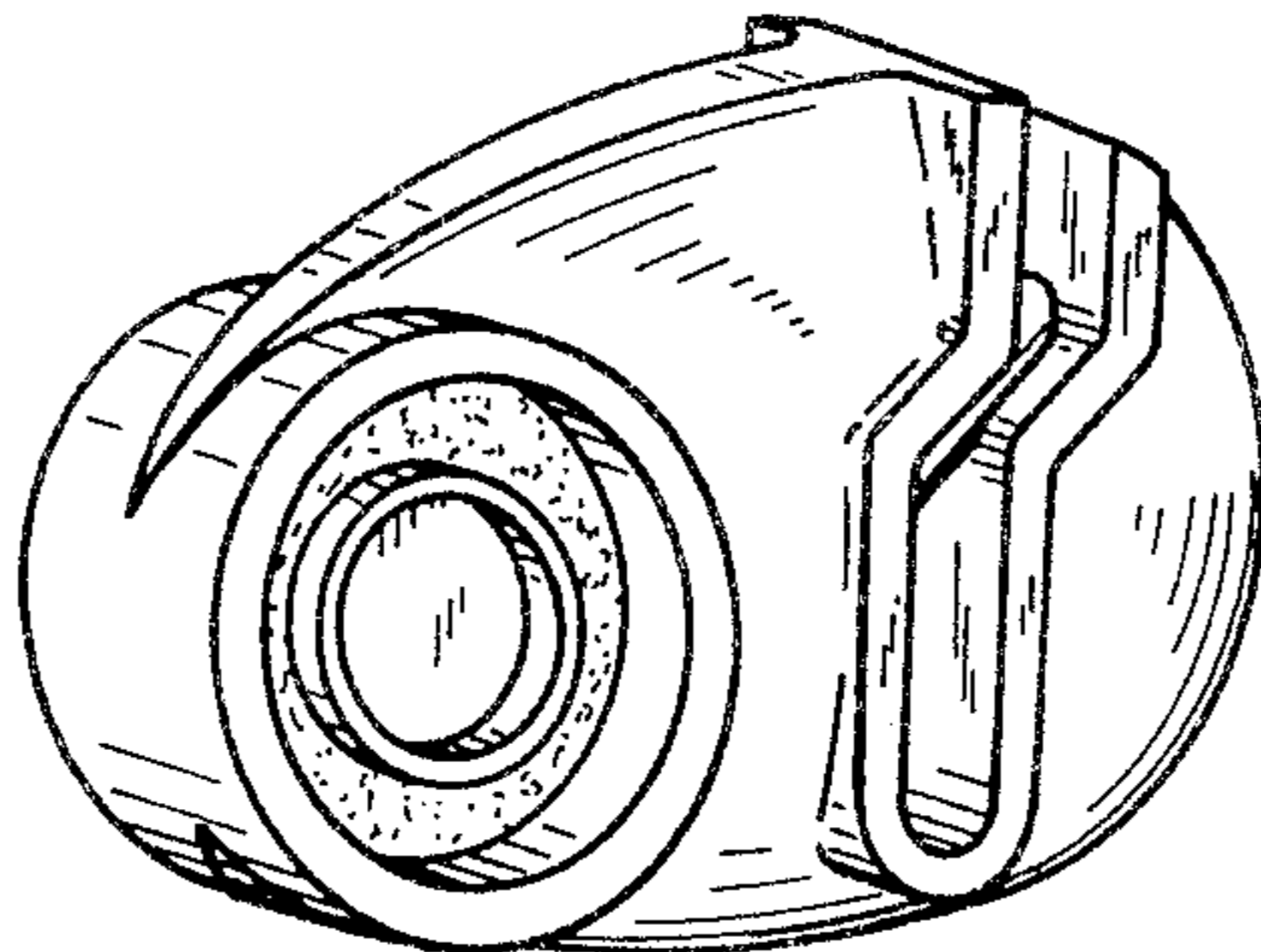
FIG. 5 is a top plan view thereof on an enlarged scale;

FIG. 6 is a bottom plan view thereof on an enlarged scale.

[56] **References Cited**

U.S. PATENT DOCUMENTS

62,472 2/1867 Chapman 76/82.2
659,420 10/1900 Reichardt 51/205 R
1,051,333 1/1913 Jacoby 76/82.2



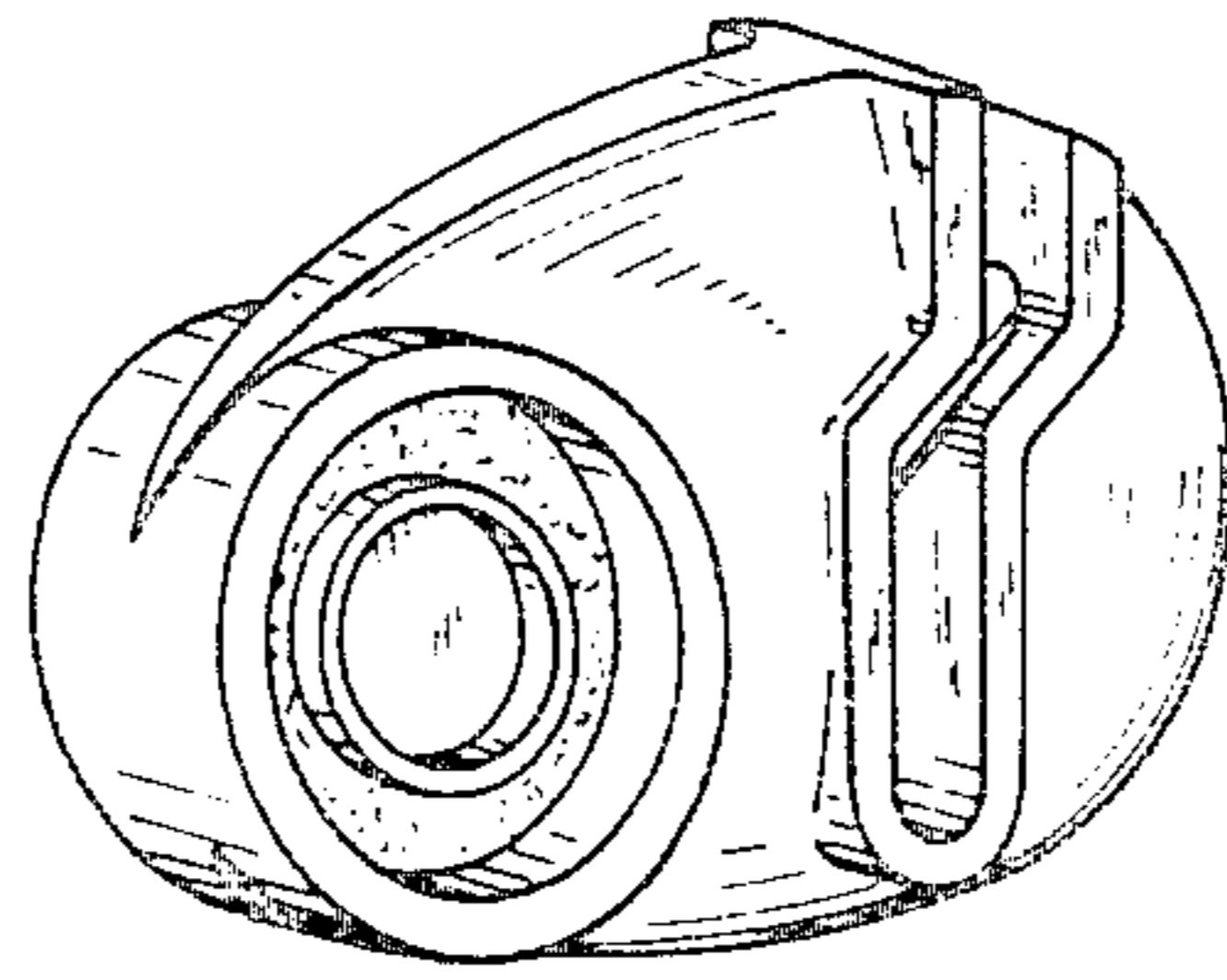


FIG. 1

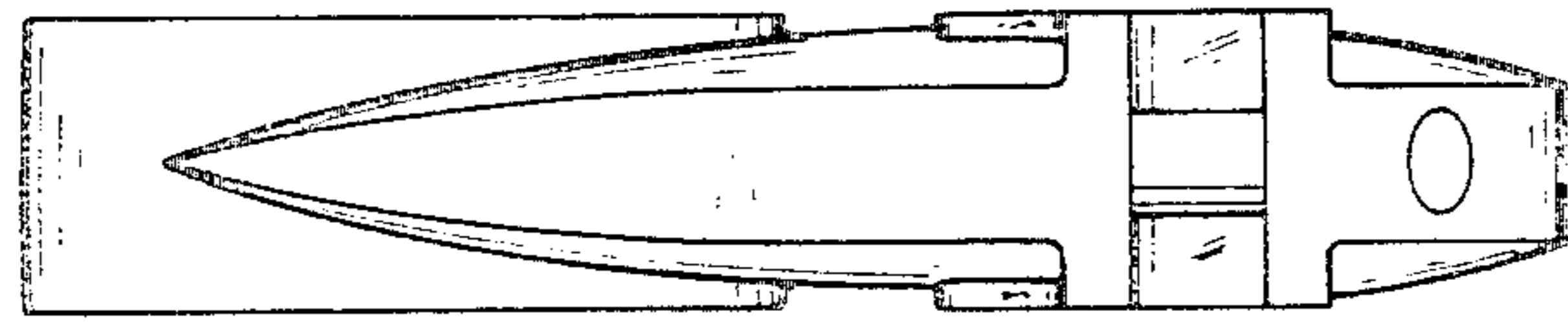


FIG. 5

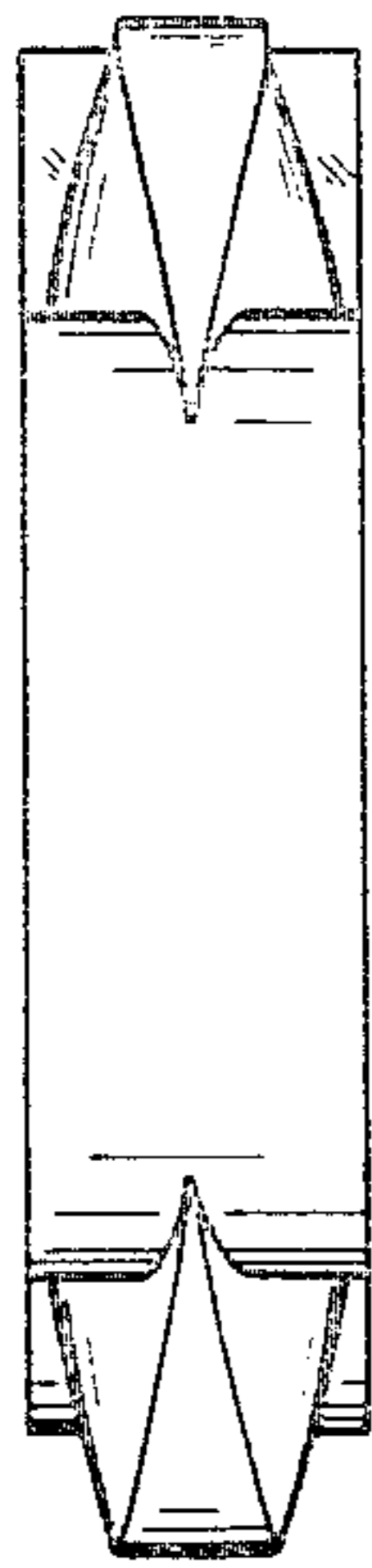


FIG. 3

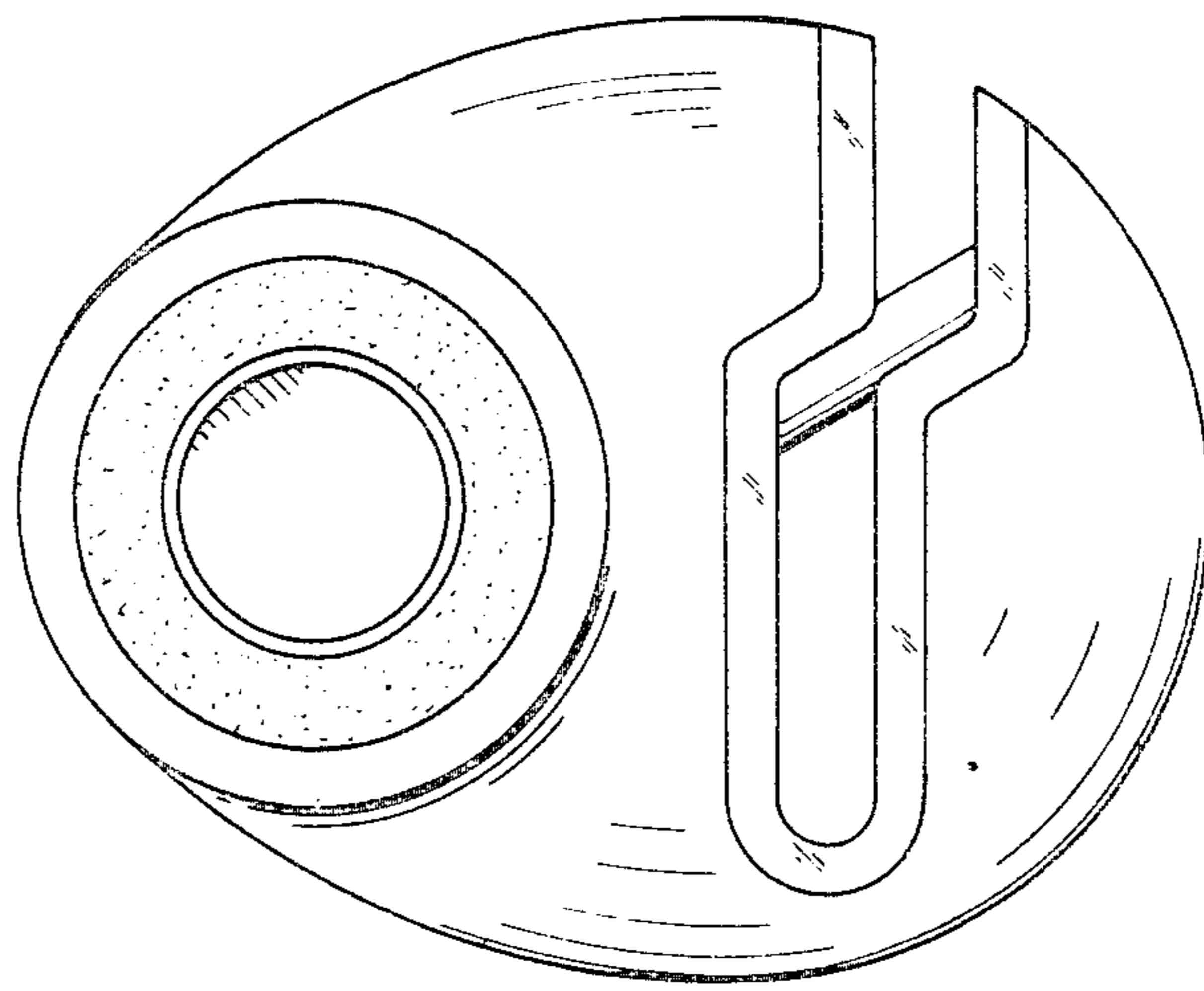


FIG. 2

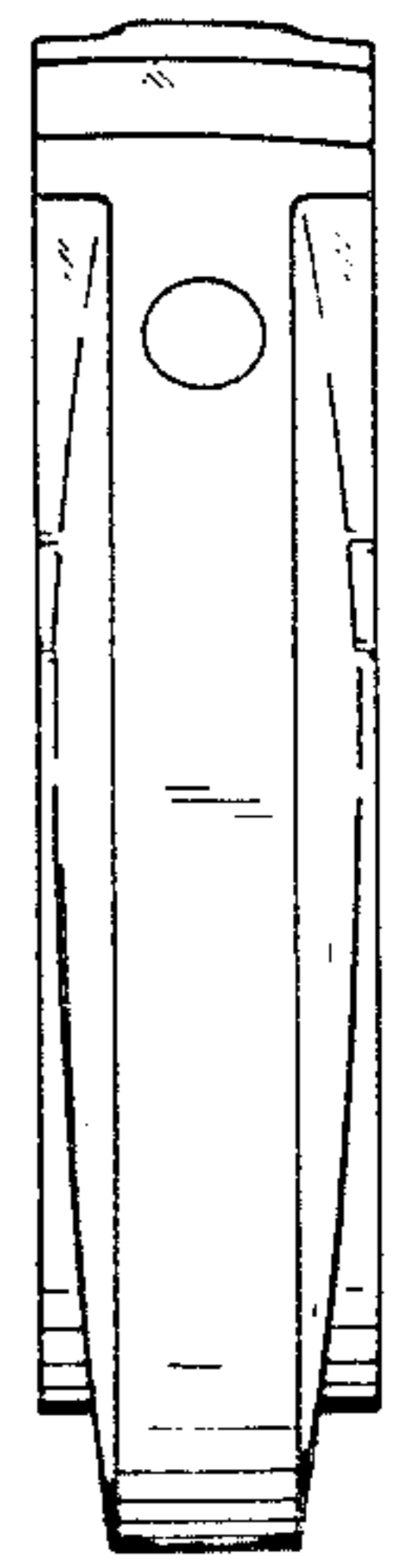


FIG. 4

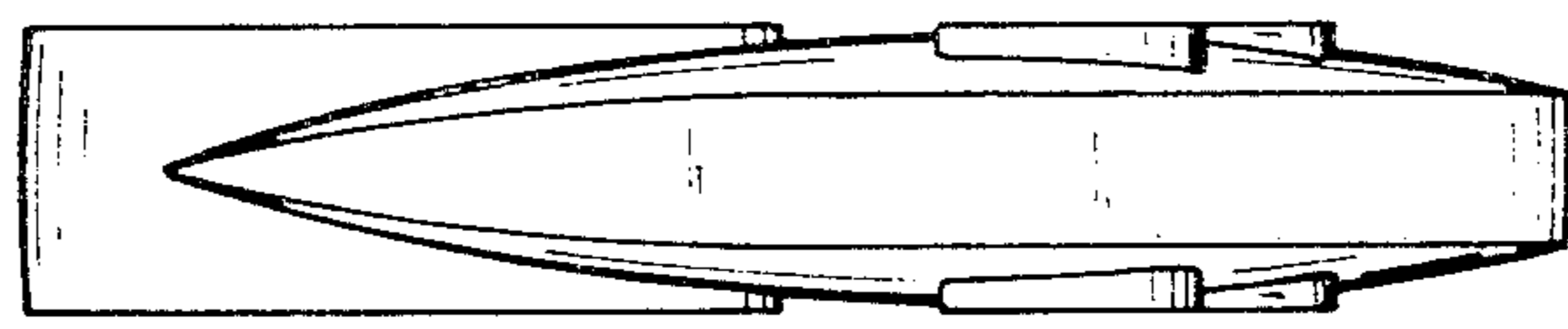


FIG. 6