

[54] ELECTRIC HAND DRILL

[75] Inventor: Detlef Unger, Stuttgart, Fed. Rep. of Germany

[73] Assignee: C. & E. Fein GmbH & Co., Fed. Rep. of Germany

[**] Term: 14 Years

[21] Appl. No.: 344,040

[22] Filed: Jan. 29, 1982

[30] Foreign Application Priority Data

Nov. 19, 1981 [DE] Fed. Rep. of Germany MR 5390

[52] U.S. Cl. D8/68

[58] Field of Search D8/68; 173/163, 170; 81/52.3, 54

[56] References Cited

PUBLICATIONS

Bosch drills catalog, p. 4, drill model 1106 on page.

Sioux drills flier, p. 1, drill No. 1481 at top of page.
AEG Power Tool Corp. bulletin, p. 1, AEG SB2E-450 drill on page.

Fein Electric Tools catalog, p. 2, Drill type ASy 636 at middle of page.

Primary Examiner—Susan J. Lucas
Assistant Examiner—Clare E. Heflin
Attorney, Agent, or Firm—McGlew and Tuttle

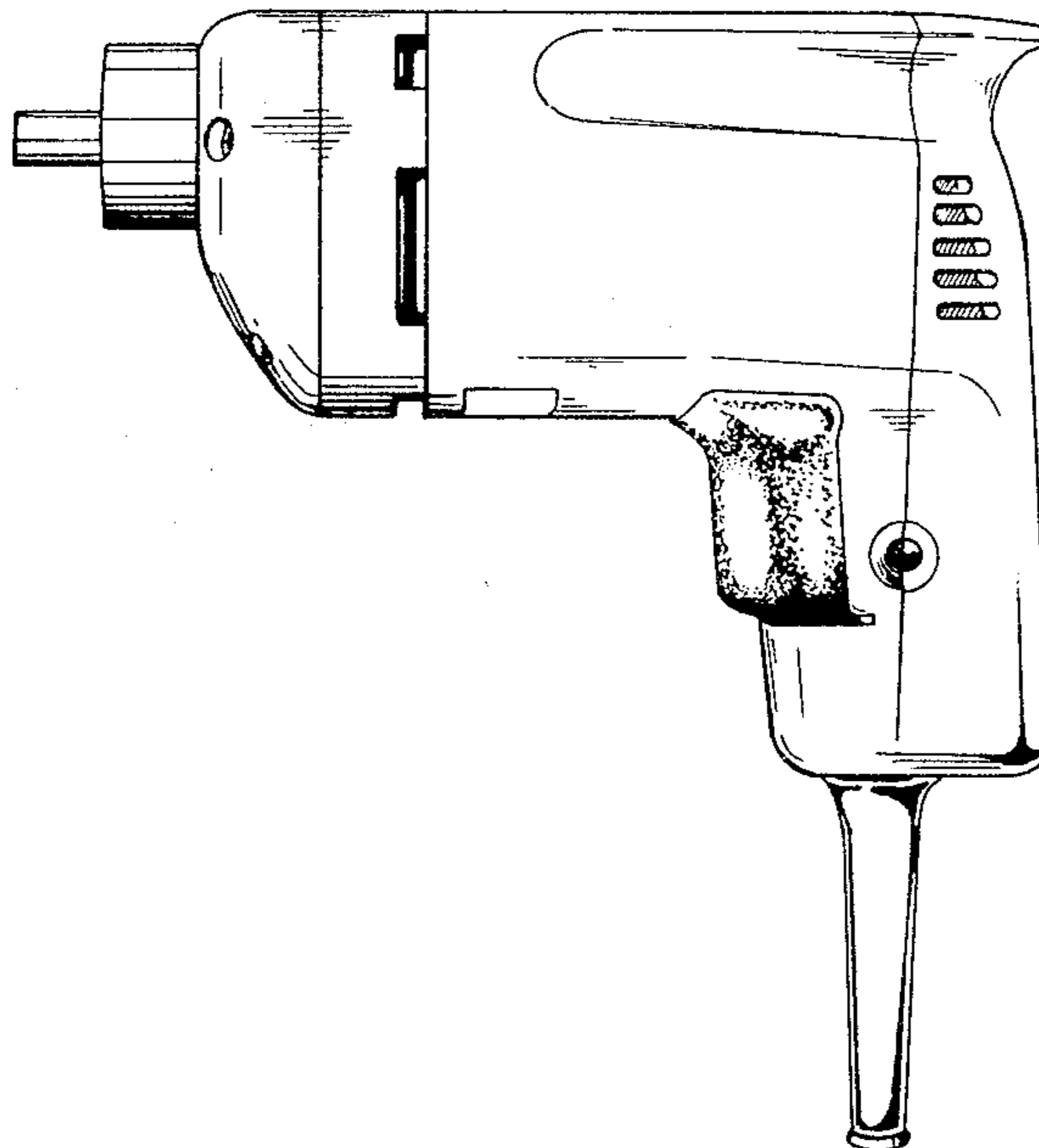
[57] CLAIM

The ornamental design for an electric hand drill, as shown and described.

DESCRIPTION

FIG. 1 is a bottom front left hand side perspective view of an ornamental design for an electric hand drill; FIG. 2 is a top rear right hand side perspective view of the electric hand drill shown in FIG. 1; and FIG. 3 is a side elevational view of the electric hand drill shown in FIG. 1.

The broken line disclosure of a drill chuck and power cord is shown for illustrative purposes only.



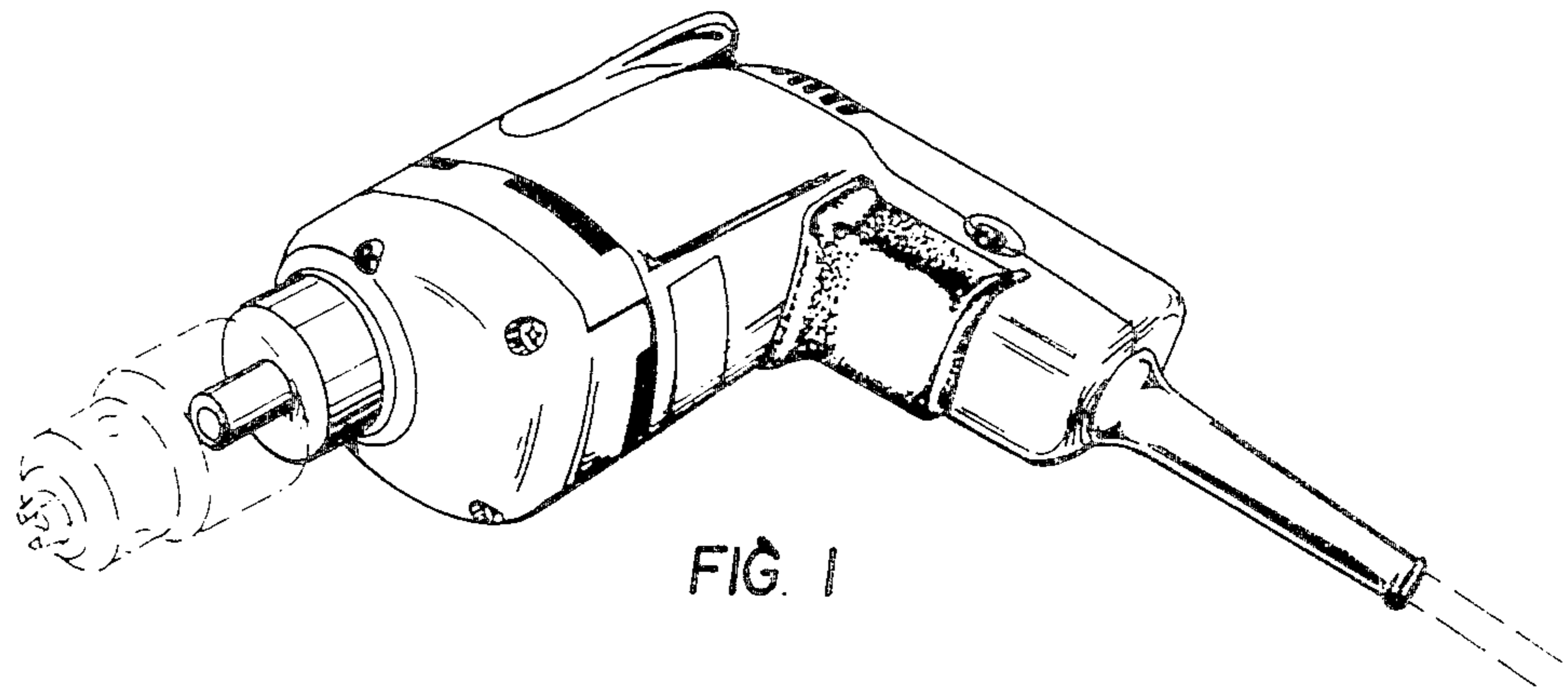


FIG. 1

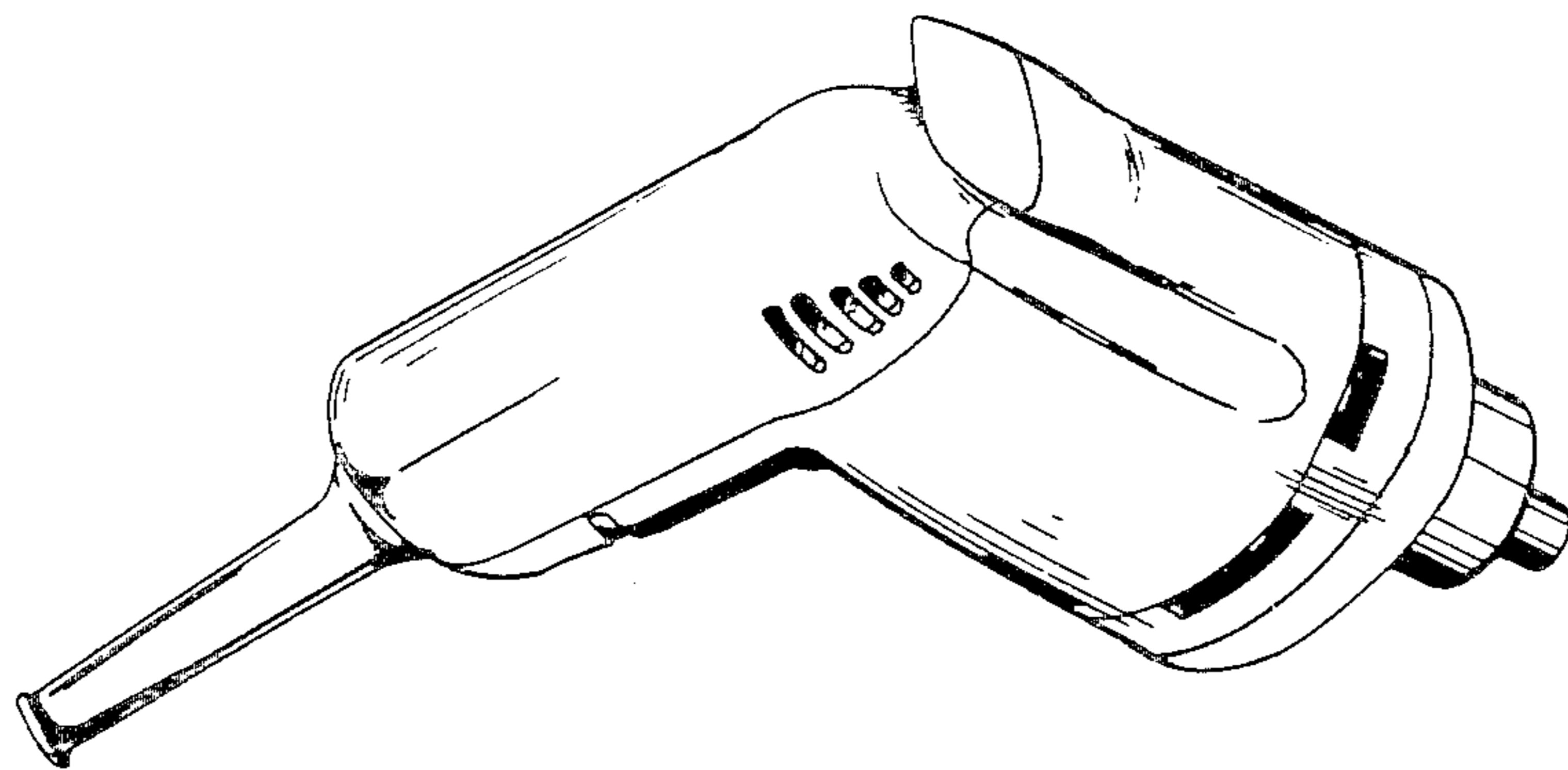


FIG. 2

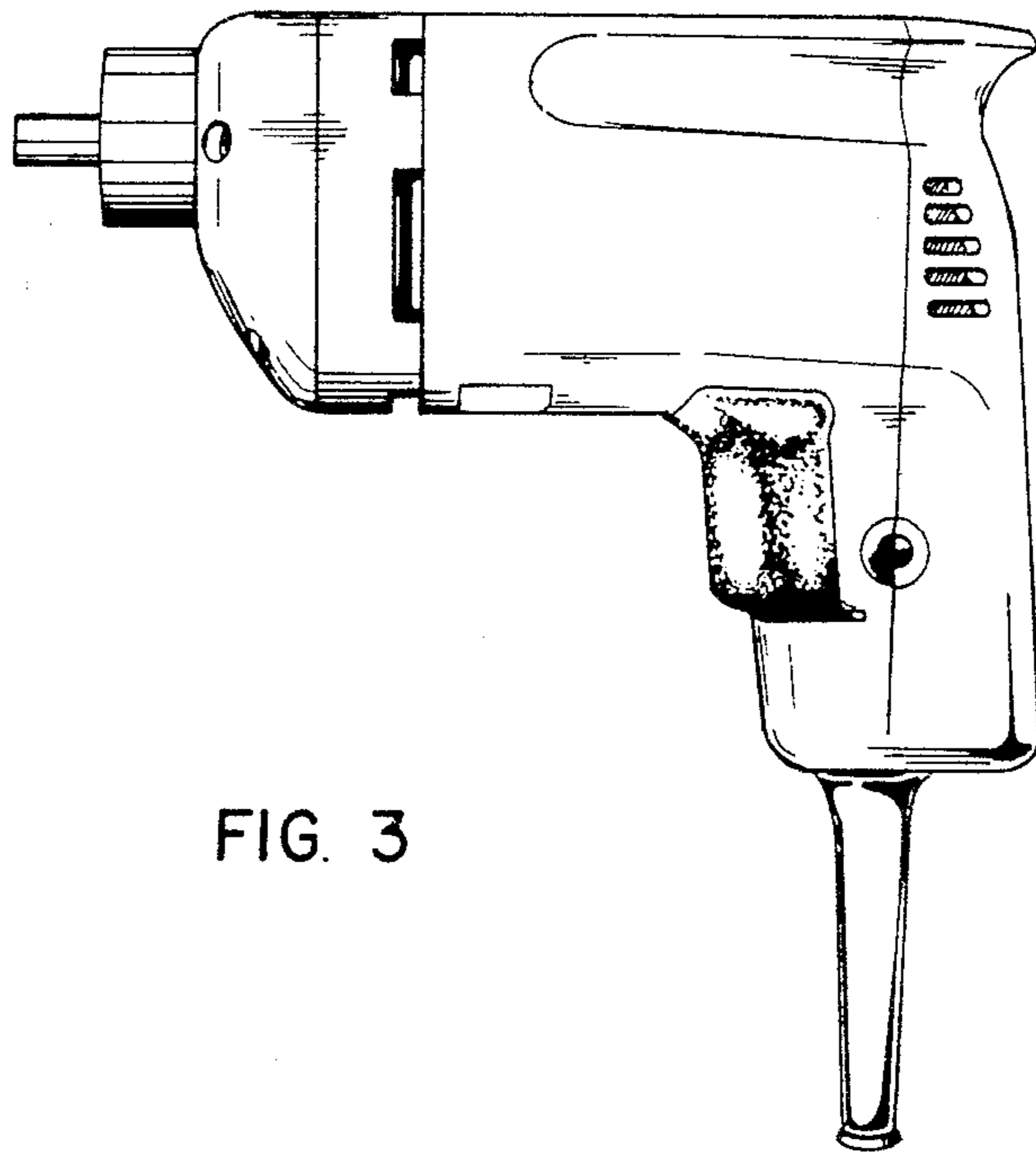


FIG. 3