

[54] PORTABLE PIPE END PREPARATION  
TOOL WITH RIGHT ANGLE FEED  
CONTROL

3,999,452 12/1976 Larsen ..... 82/4 C  
4,114,485 9/1978 Coblitz et al. .... 82/4 C  
4,257,289 3/1981 Groothius ..... 82/4 C  
4,411,178 10/1983 Wachs et al. .... 82/4 C

[75] Inventor: William H. Astle, Rancho Cordova,  
Calif.

Primary Examiner—B. J. Bullock  
Attorney, Agent, or Firm—Bacon & Thomas

[73] Assignee: Tri Tool, Inc., Rancho Cordova,  
Calif.

[57] CLAIM

[\*\*] Term: 14 Years

The ornamental design for a portable pipe end prepara-  
tion tool with right angle feed control, as shown.

[21] Appl. No.: 443,663

DESCRIPTION

[22] Filed: Nov. 22, 1982

[52] U.S. Cl. .... D8/61; D15/130

[58] Field of Search ..... D15/122, 130; D8/61,  
D8/62; 409/175; 82/4 C; 408/80, 81

FIG. 1 is a side elevational view of a pipe end prepara-  
tion tool with right angle feed control showing my new  
design;

FIG. 2 is a bottom plan view thereof;

FIG. 3 is a side elevational view of the side opposite  
that shown in FIG. 1;

FIG. 4 is a top plan view thereof;

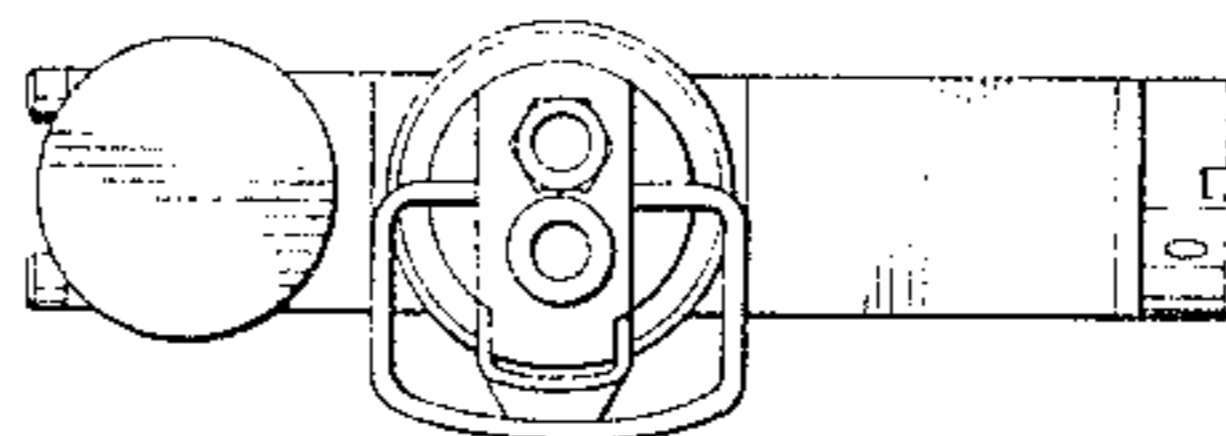
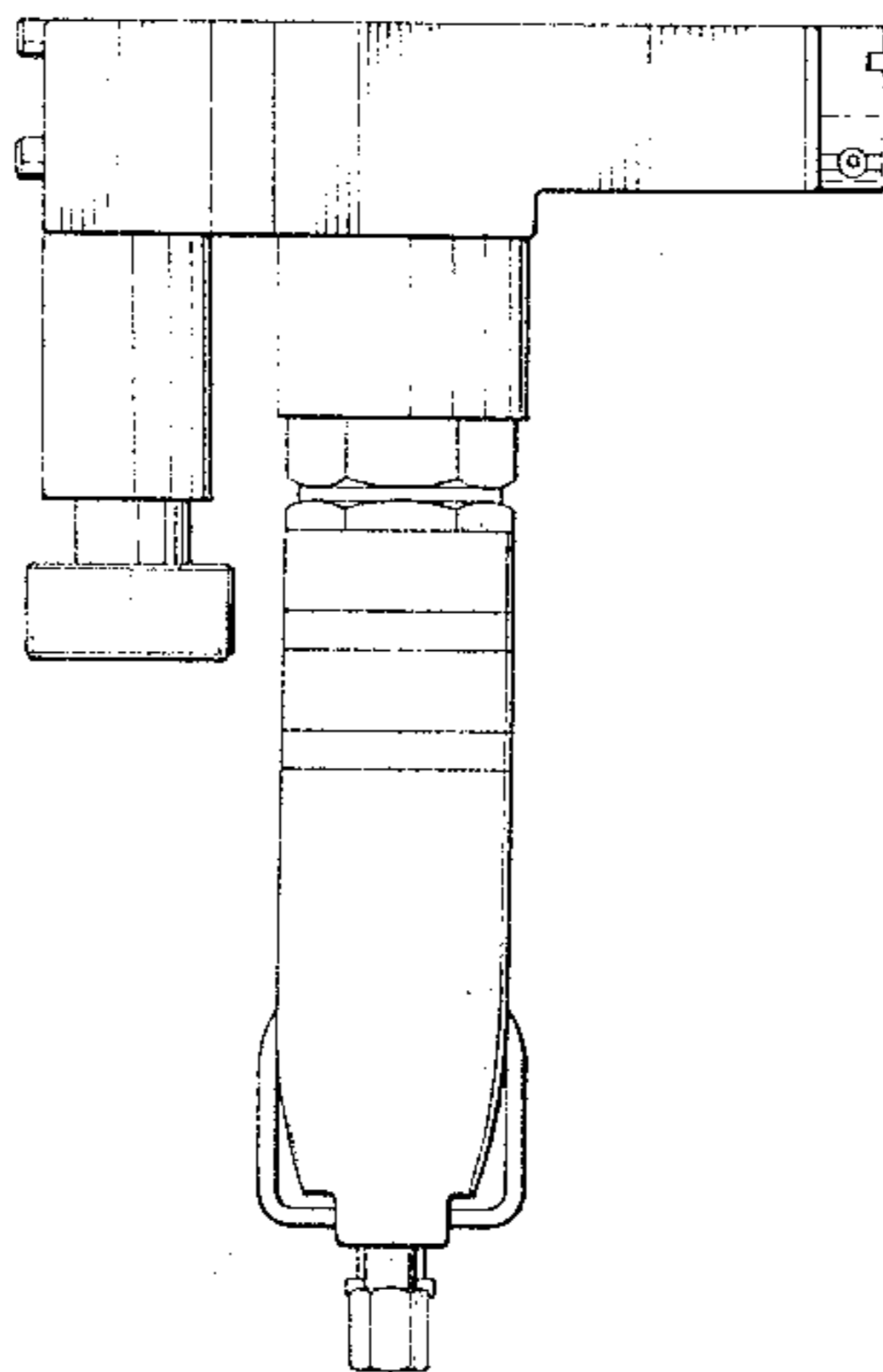
FIG. 5 is a front elevational view taken from the right  
of FIG. 1;

FIG. 6 is a rear elevational view taken from the left of  
FIG. 1.

[56] References Cited

U.S. PATENT DOCUMENTS

D. 264,678	6/1982	Astle et al. ....	D8/61
2,227,348	12/1940	Johnson .	
3,228,268	1/1966	Strout .....	409/175
3,754,488	8/1973	Pajari .....	82/4 C



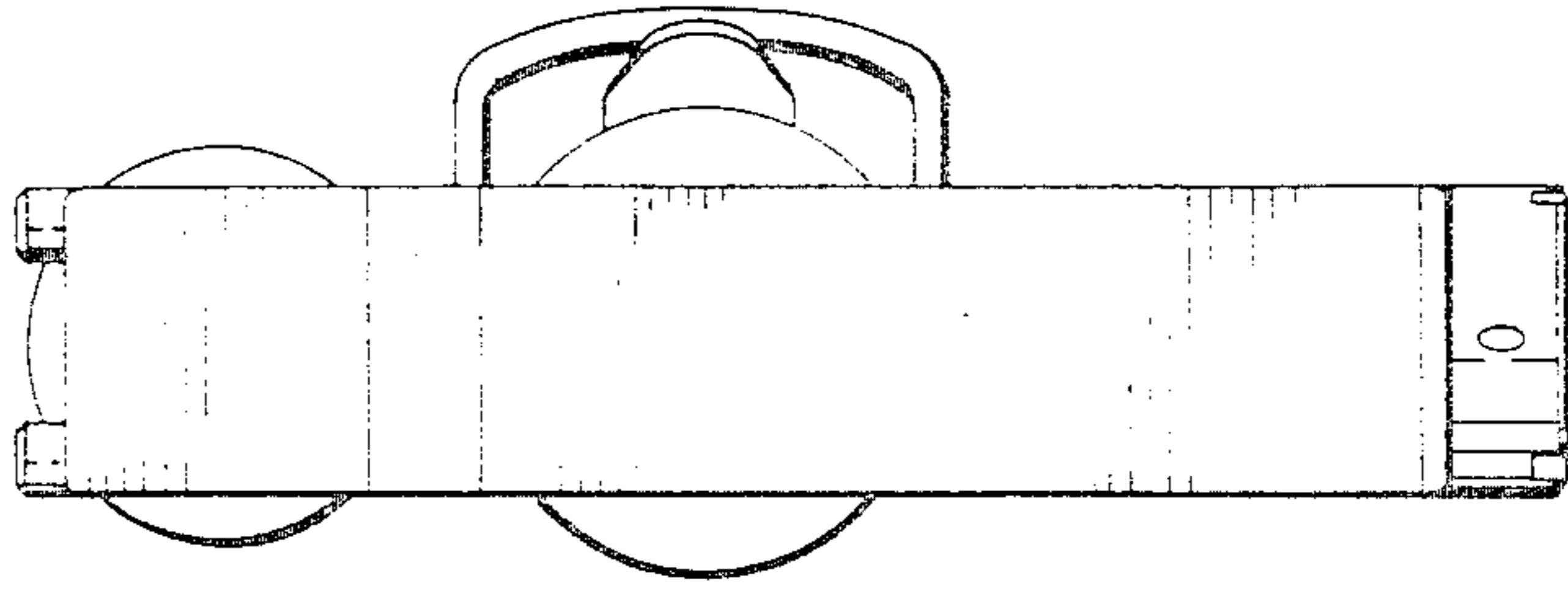


FIG 2

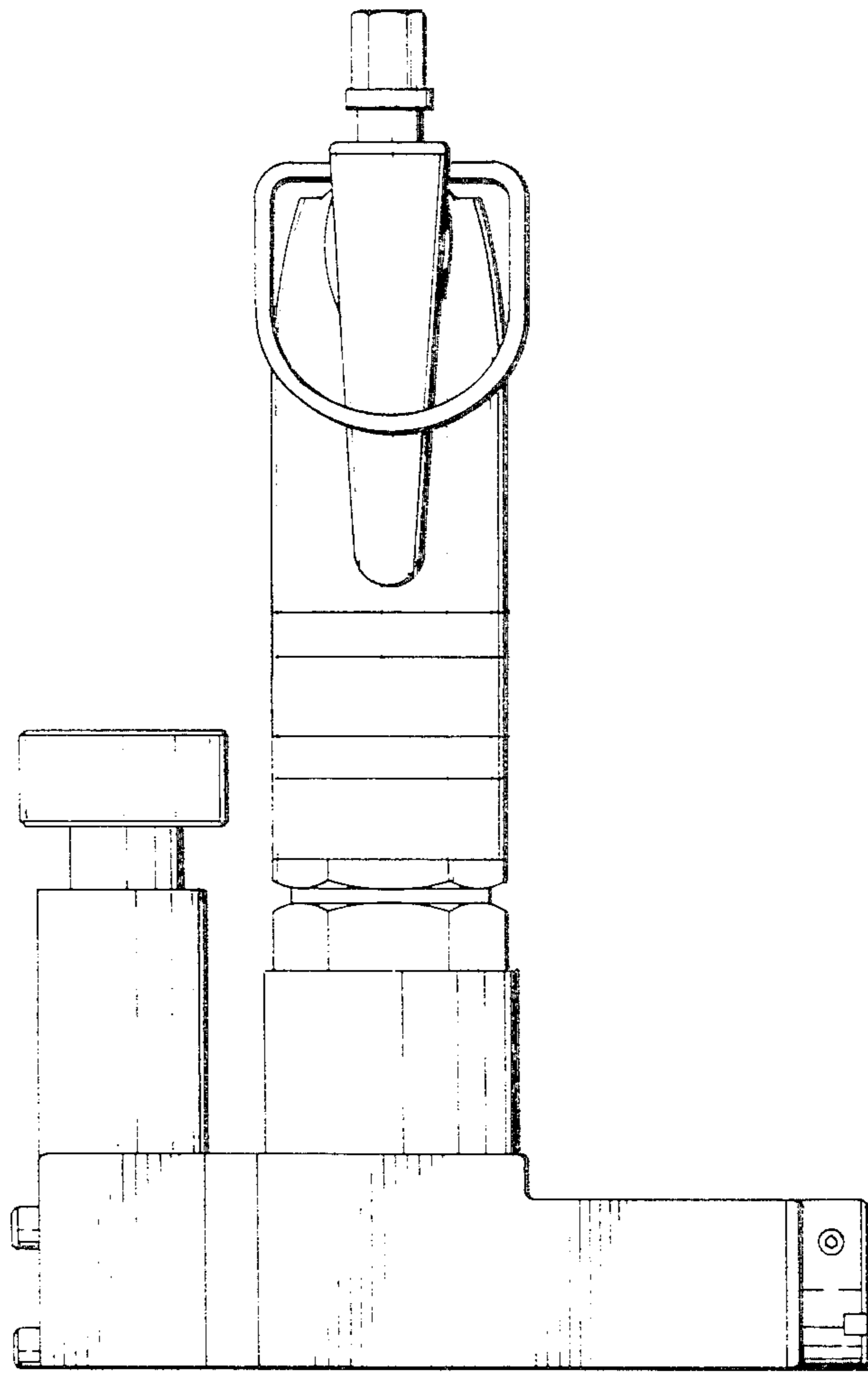


FIG 1

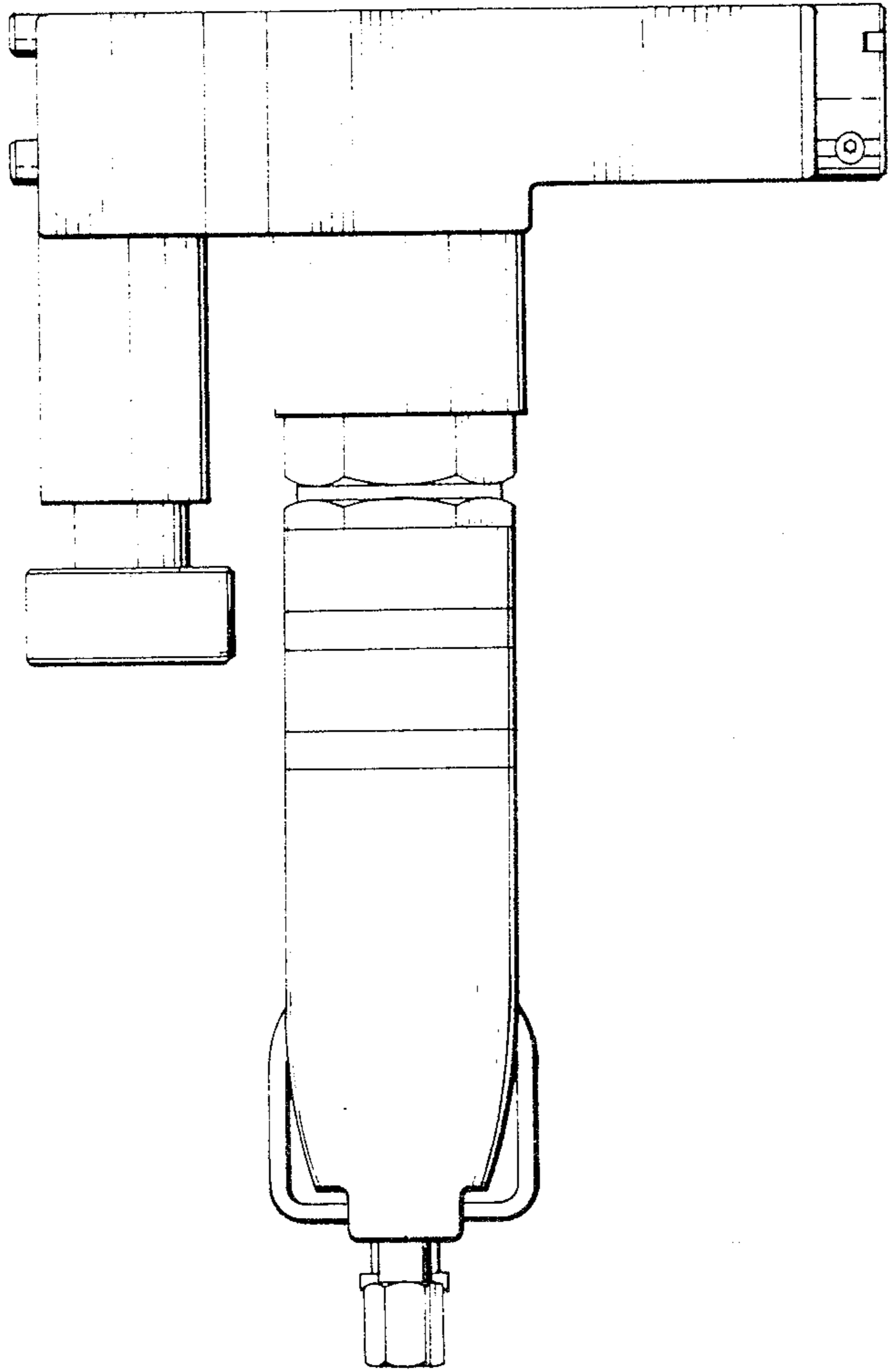


FIG 3

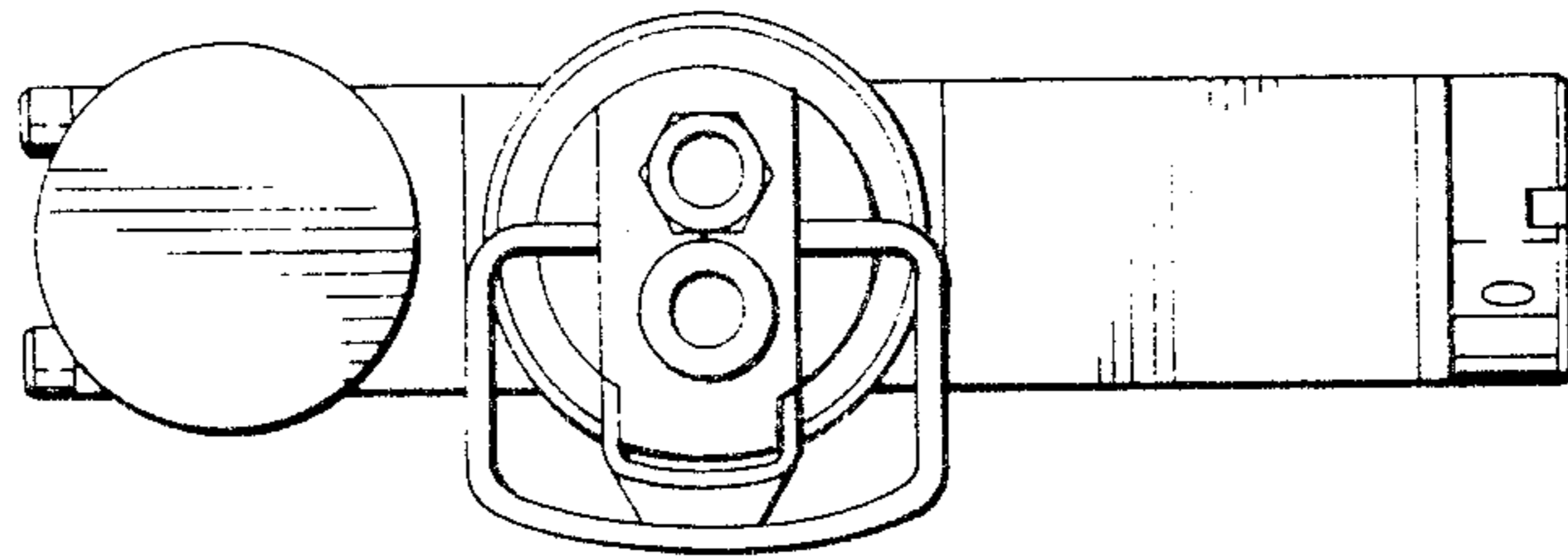


FIG 4

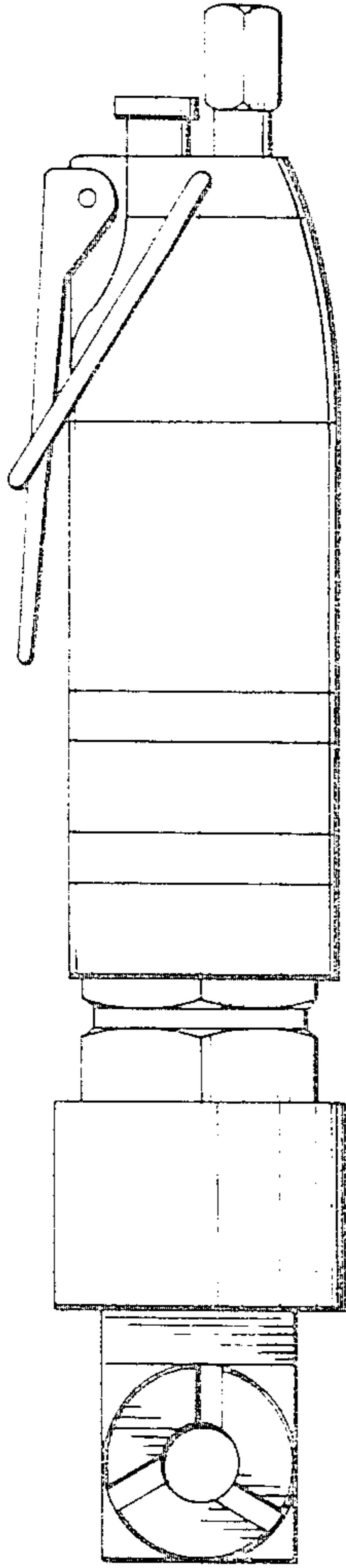


FIG 5

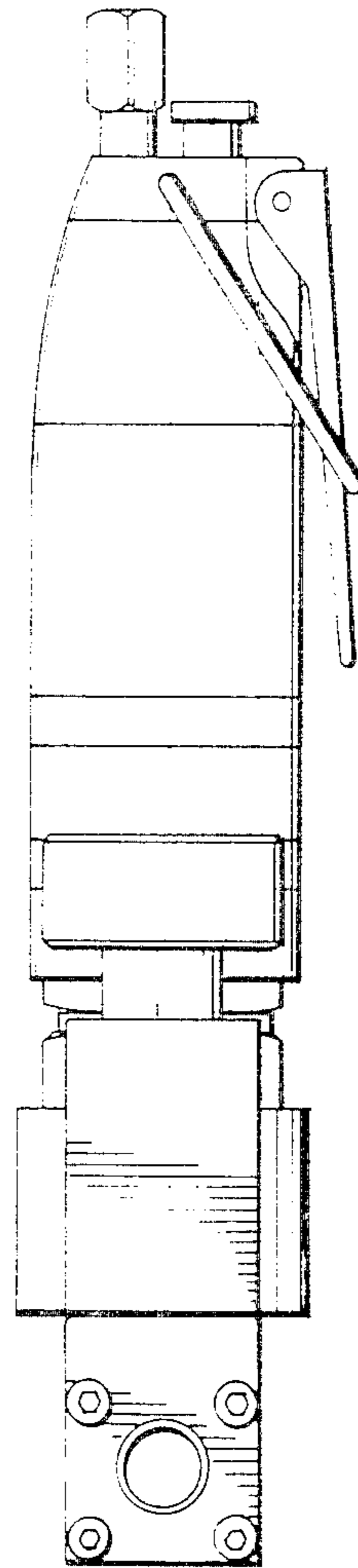


FIG 6