

[54] **HAND-HELD BARBECUE SPIT**

[76] **Inventor: Donald C. Grigorenko, 727 W. Main St., Plain City, Ohio 43064**

[**] **Term: 14 Years**

[21] **Appl. No.: 394,292**

[22] **Filed: Jul. 1, 1982**

[52] **U.S. Cl. D7/106**

[58] **Field of Search D7/106; 99/419, 421 A, 99/441, 385**

[56] **References Cited**

U.S. PATENT DOCUMENTS

- D. 161,756 1/1951 Hunter D7/106
- D. 171,539 2/1954 Goodsell D7/106
- 2,183,938 12/1939 Lewis 99/419 X
- 2,815,706 12/1957 Weinberger D7/106 X

FOREIGN PATENT DOCUMENTS

230286 3/1925 United Kingdom 99/385

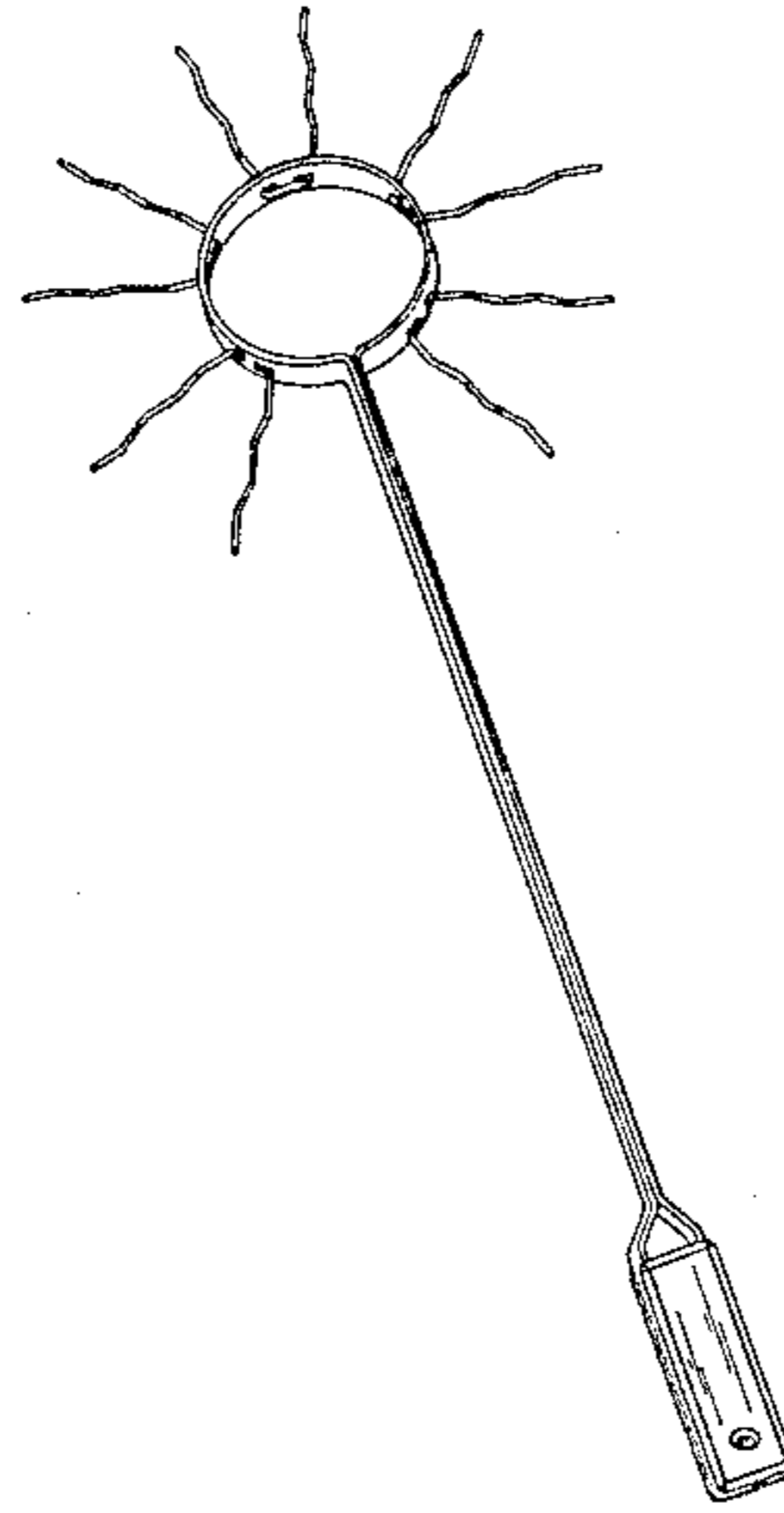
Primary Examiner—Winifred E. Herrmann
Attorney, Agent, or Firm—William S. Rambo; Wm. Cates Rambo

[57] **CLAIM**

The ornamental design for a hand-held barbecue spit, substantially as shown.

DESCRIPTION

FIG. 1 is a top perspective view of a hand-held barbecue spit showing my new design;
FIG. 2 is a top or bottom plan view thereof on an enlarged scale; and
FIG. 3 is an end elevational view thereof taken from the top of FIG. 2.



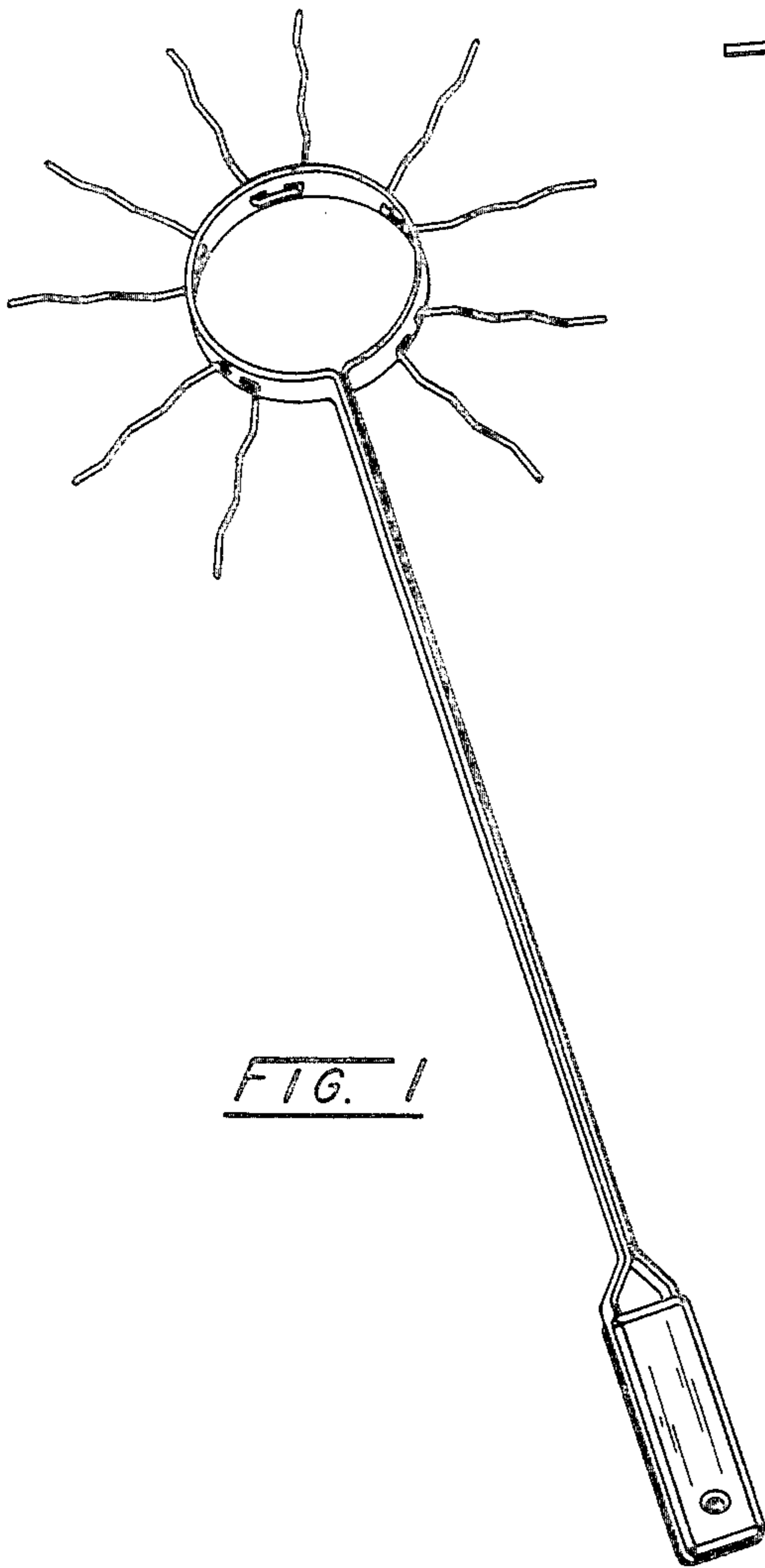


FIG. 1

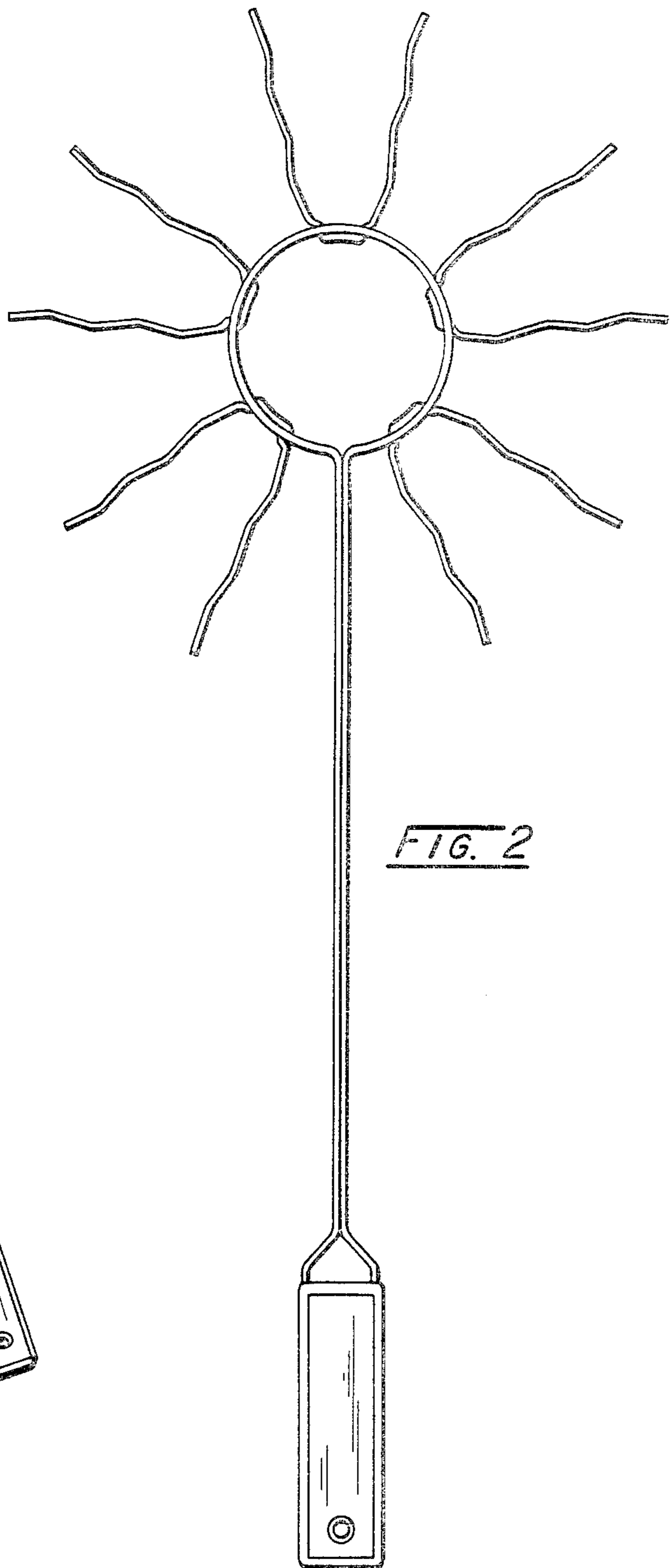


FIG. 2



FIG. 3