

[54] FRUIT-PRESS

[75] Inventor: Jan F. Van Asten, Leek, Netherlands

[73] Assignee: U.S. Philips Corporation, New York, N.Y.

[\*\*] Term: 14 Years

[21] Appl. No.: 383,654

[22] Filed: Jun. 1, 1982

[30] Foreign Application Priority Data

Dec. 11, 1981 [NL] Netherlands ..... 56375-02

[52] U.S. Cl. .... D7/49

[58] Field of Search ..... D7/48, 49; 99/505, 495, 99/501, 502, 503, 504, 506

[56] References Cited

U.S. PATENT DOCUMENTS

- D. 193,376 8/1962 Talge ..... D7/49
- D. 253,083 10/1979 Lam ..... D7/49
- 614,374 11/1898 Easley ..... 99/506
- 1,141,834 6/1915 Schatterman ..... D7/48 X

3,159,193 12/1964 Cabell ..... D7/49 X

FOREIGN PATENT DOCUMENTS

2399226 4/1979 France ..... 99/501

OTHER PUBLICATIONS

*Gifts & Decorative Accessories*, Apr. 1979, p. 76, top r. panel, Battery Operated Citrus Juicer Harper-Lee Intl.

*Primary Examiner*—Winifred E. Herrmann  
*Attorney, Agent, or Firm*—Rolf E. Schneider

[57] CLAIM

The ornamental design for a fruit-press, as shown.

DESCRIPTION

FIG. 1 is a front, top and left side perspective view of a fruit-press showing my new design;  
 FIG. 2 is a front elevational view thereof;  
 FIG. 3 is a rear elevational view thereof;  
 FIG. 4 is a left side elevational view thereof;  
 FIG. 5 is a right side elevational view thereof;  
 FIG. 6 is a top plan view thereof; and  
 FIG. 7 is a bottom plan view thereof.

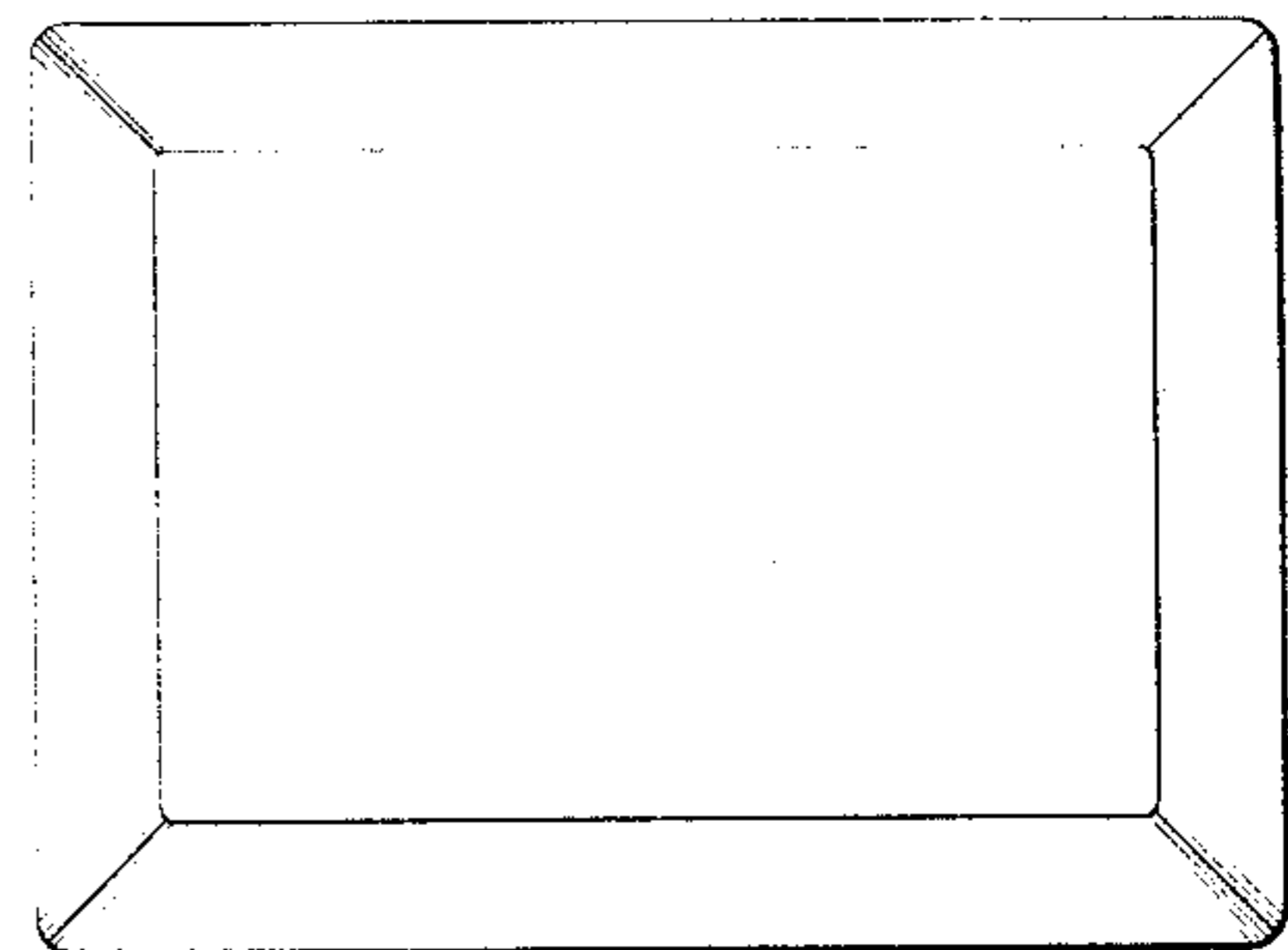
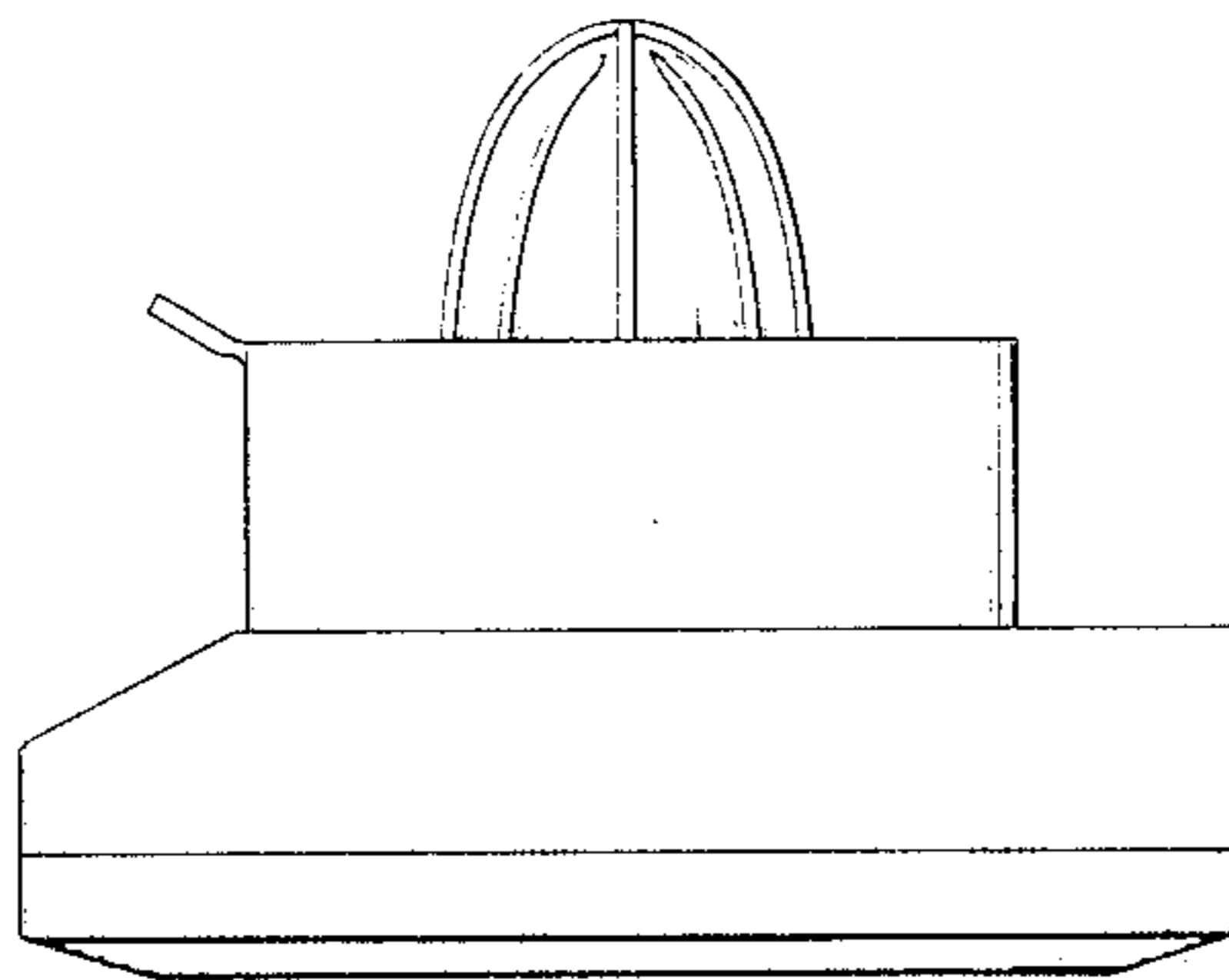
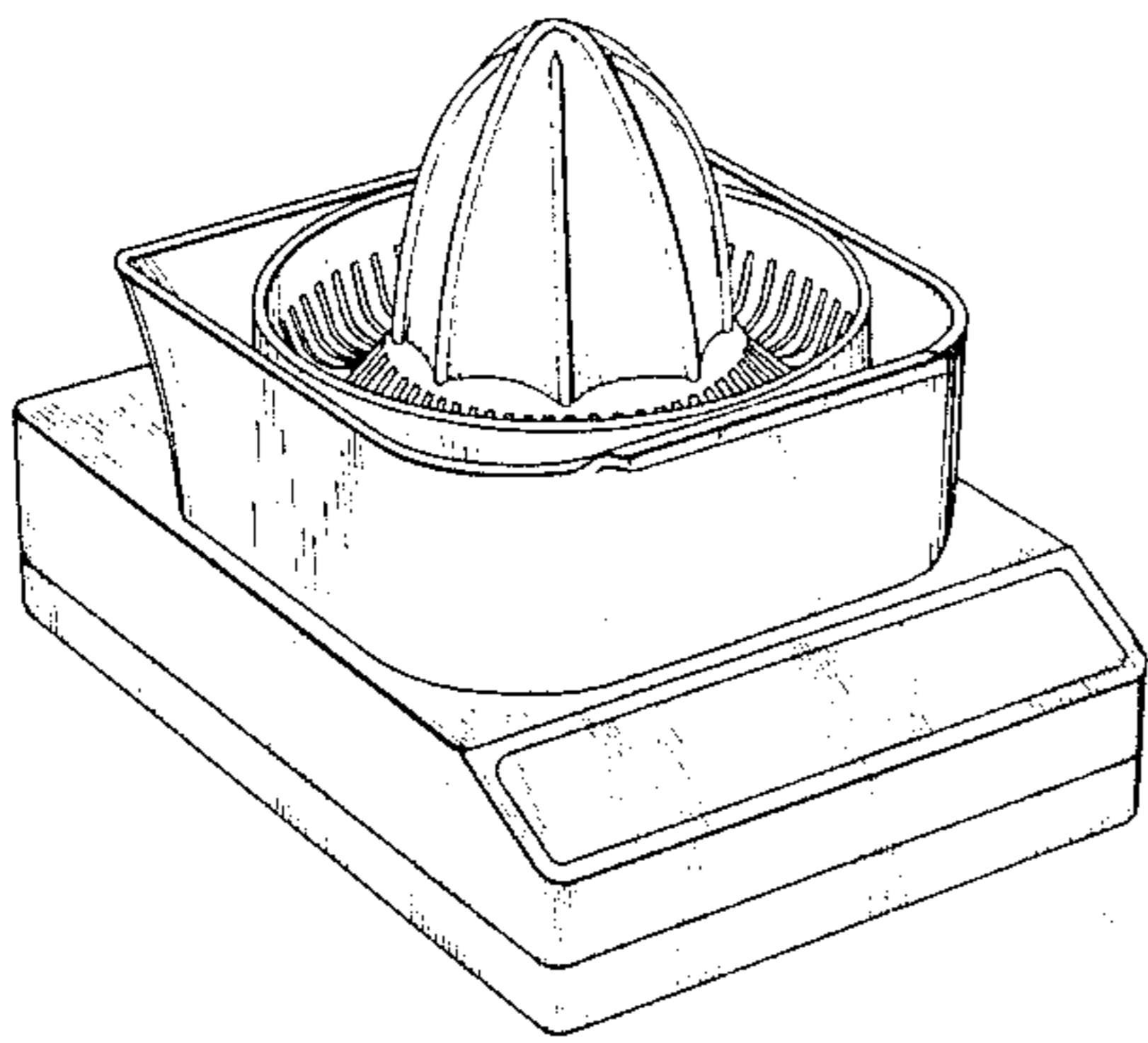
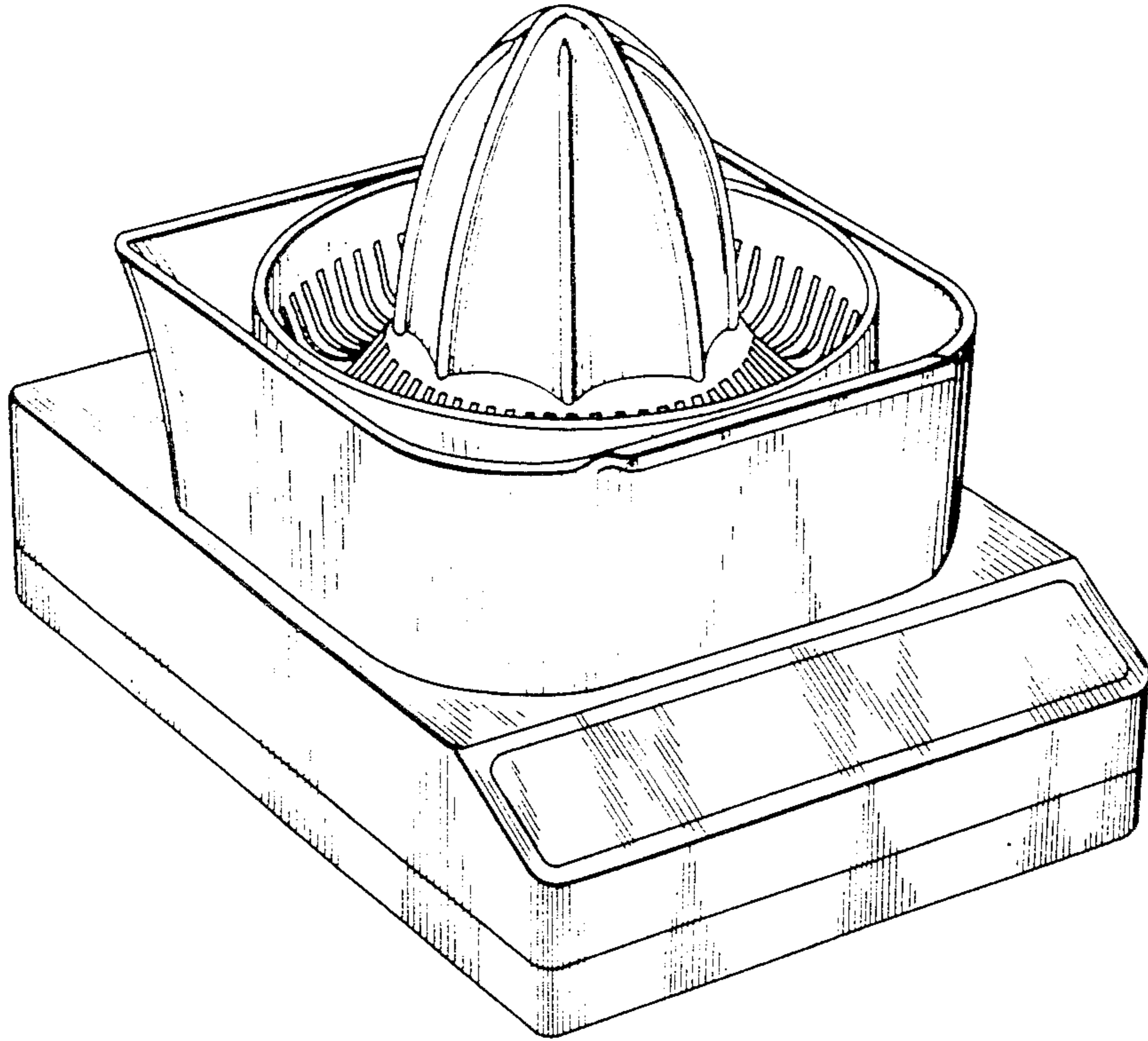


FIG. 1



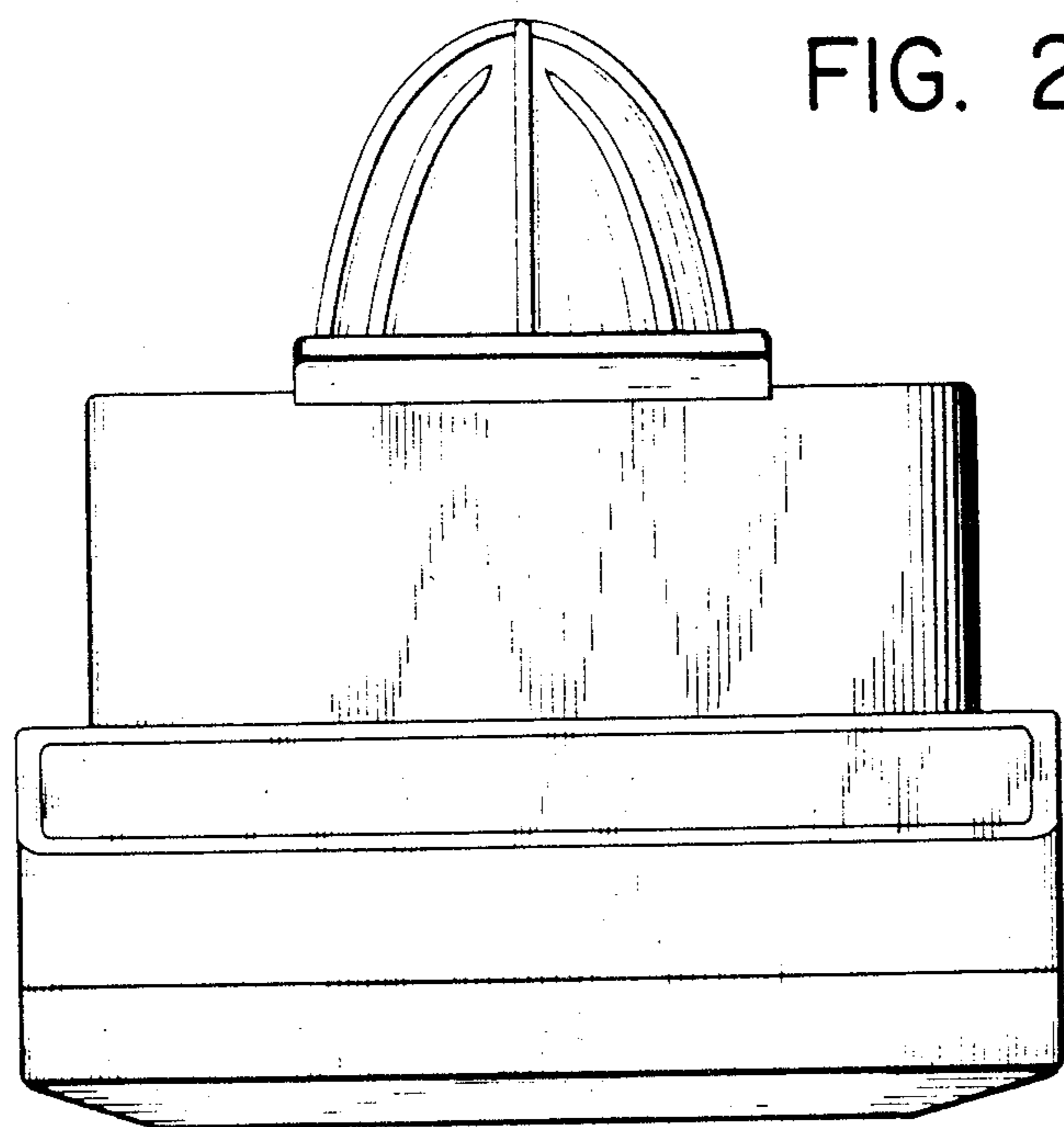


FIG. 2

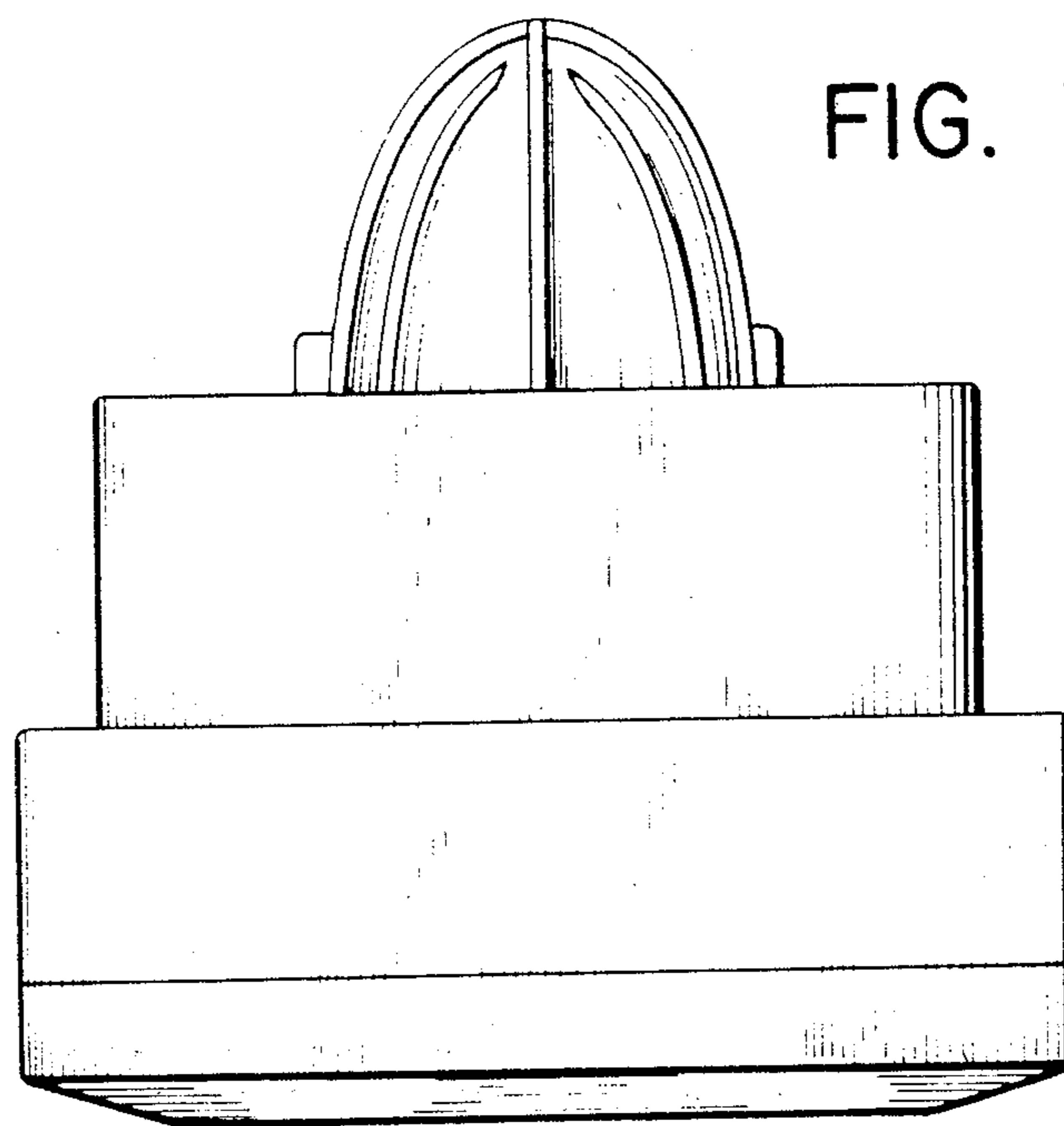


FIG. 3

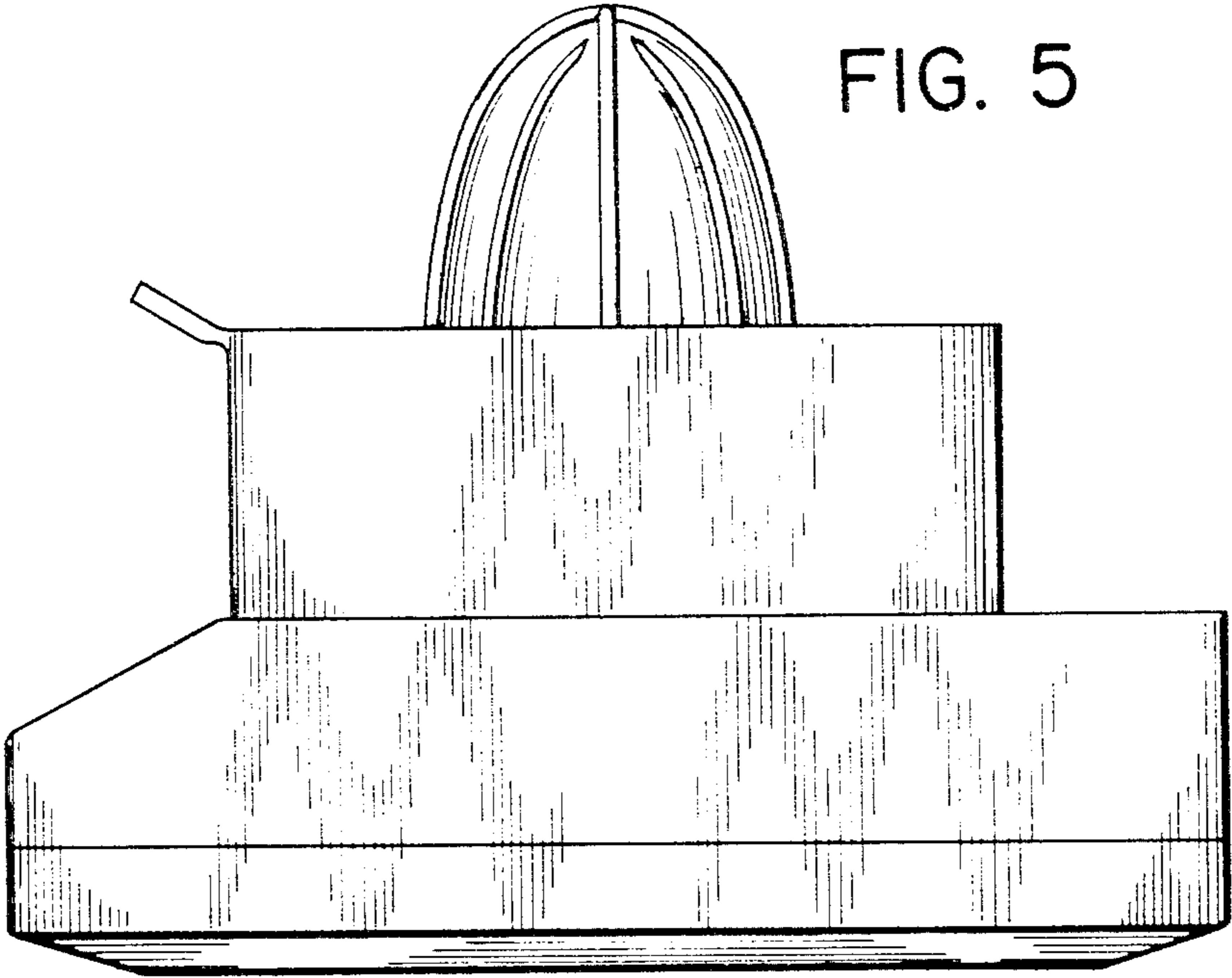
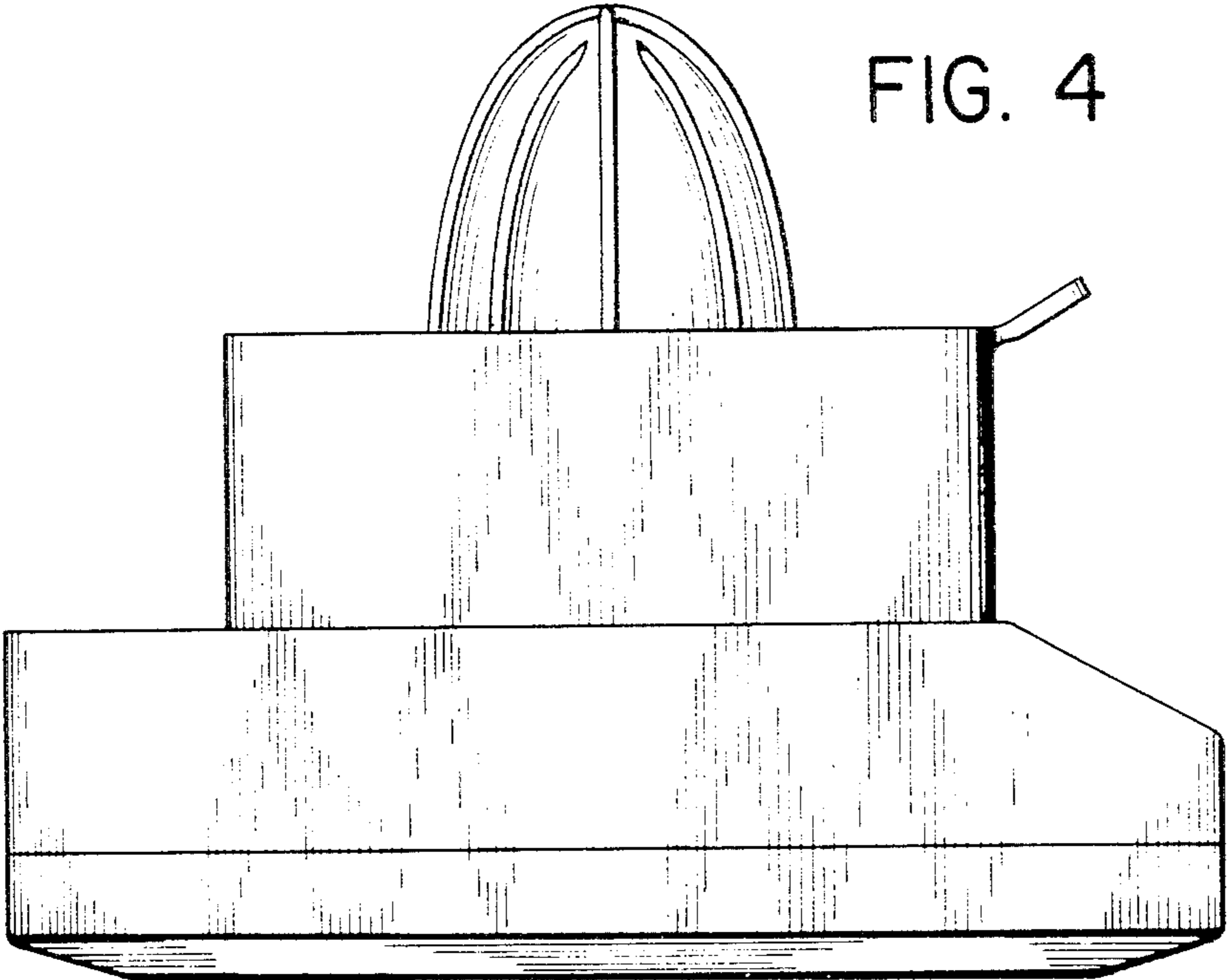


FIG. 6

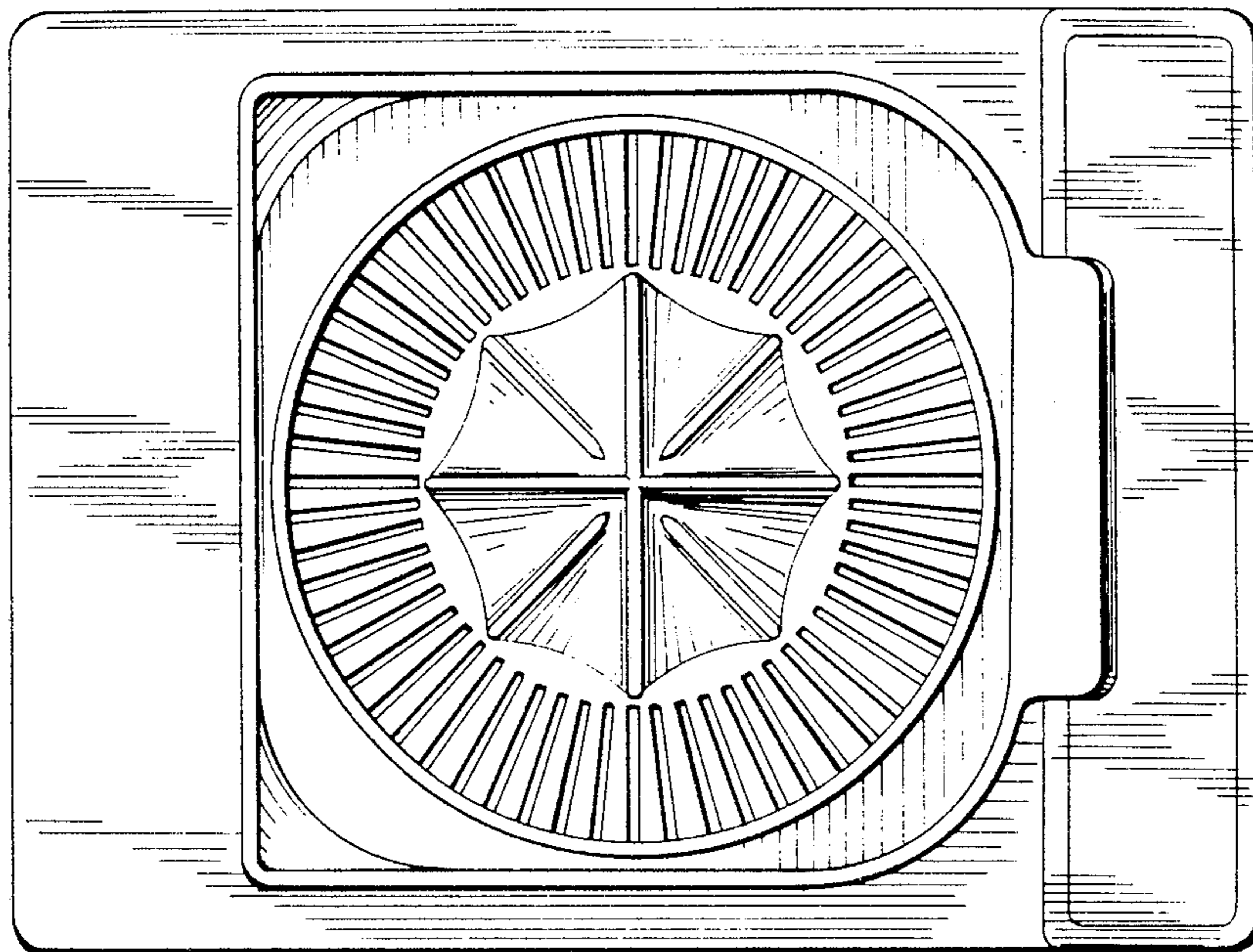


FIG. 7

