

[54] DRINKING FOUNTAIN

[75] Inventor: Donald W. Doman, Janesville, Wis.

[73] Assignee: Kohler Co., Kohler, Wis.

[**] Term: 14 Years

[21] Appl. No.: 282,022

[22] Filed: Jul. 20, 1981

[52] U.S. Cl. D7/304; D23/58

[58] Field of Search D7/300, 304, 397; D23/64, 61, 58, 54; D24/1.1, 4, 5

[56] References Cited

U.S. PATENT DOCUMENTS

D. 201,493	6/1965	Sunberg et al.	D23/58
D. 202,410	9/1965	Sunberg et al.	D23/58
D. 224,573	8/1972	Hauser	D7/304
D. 236,831	9/1975	Myers	D23/58

OTHER PUBLICATIONS

Carol Wright Flyer, Backyard Fountain, both sides of Flyer, Drinking Fountain attaches to Hose Faucet. *Architectural Record*, Mar. 1962, p. 44, Haws Model 7J Anodized Alum. Drinking Fountain.

Architectural Record, Aug. 1963, p. 104, Model #36-DY, Tenzaloy Alum. Haws Twin Bubbler Drinking Fountain.

Haws Cat. No. 178-1978, 15.7f/Ha, p. 6, Model #1407, Wall Hung Drinking Fountain, lower right. Pages 5A, 6 and 18-22 from Western Drinking Fountains Catalog, dated 1981, showing WDF Models 16,21,76A,770A,770A-WC,777,774,5BT,8BT,14. Pages SF-5 and SF-6 of Crane Co. Advertising Cata-

log, dated 1980, showing Crane Models 6-520, 6-570 and 6-615.

Pages 4-29 and 4-30 of American Standard Catalog, dated 1977, showing Models 8333, 8310, 8490 and 8566. Pages S-9, S-10 and S-11 from undated Eljer Catalog, showing Models 500, 510, 608, 640, 670 and 580 in the 191 series.

Five pages of Haws Advertising Flyers dated 1978 and 1979 showing the Haws' Wall Mounted Drinking Fountains 1115BP, 1106BP, 1118BP, 1110, 1000, 1002, 1005b, 1010, 1013, 1221, 1225, 1231 and 1240.

Pages 93 and 96 of the Kohler Co. K-72 Plumbing Products Catalog dated 1972, showing Kohler models 5260-A, 5264-A, 5268-A, 5400-A, 5414-A, 5352-A, 5361-A and 5382-A.

Primary Examiner—Winifred E. Herrmann
Attorney, Agent, or Firm—Quarles & Brady

[57] CLAIM

The ornamental design for a drinking fountain, as shown and described.

DESCRIPTION

FIG. 1 is a top, front perspective view of a drinking fountain showing my new design;

FIG. 2 is a top, front, and left side perspective view thereof;

FIG. 3 is a top, front, and right side perspective view thereof;

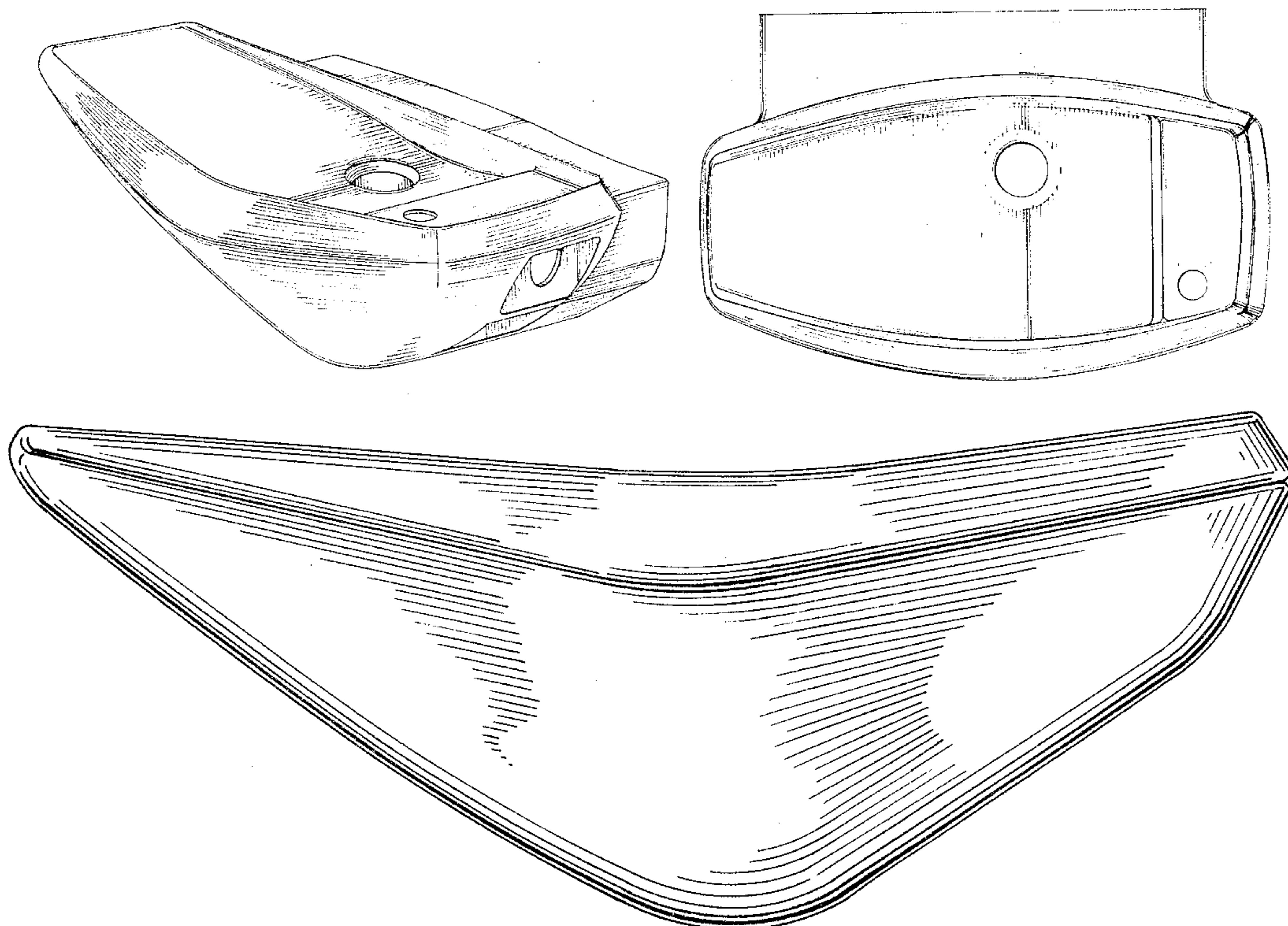
FIG. 4 is a top plan view thereof;

FIG. 5 is a front elevational view thereof;

FIG. 6 is a left side elevational view thereof; and

FIG. 7 is a right side elevational view thereof.

The rear of the drinking fountain at the wall attachment portion is flat with conventional openings for piping.



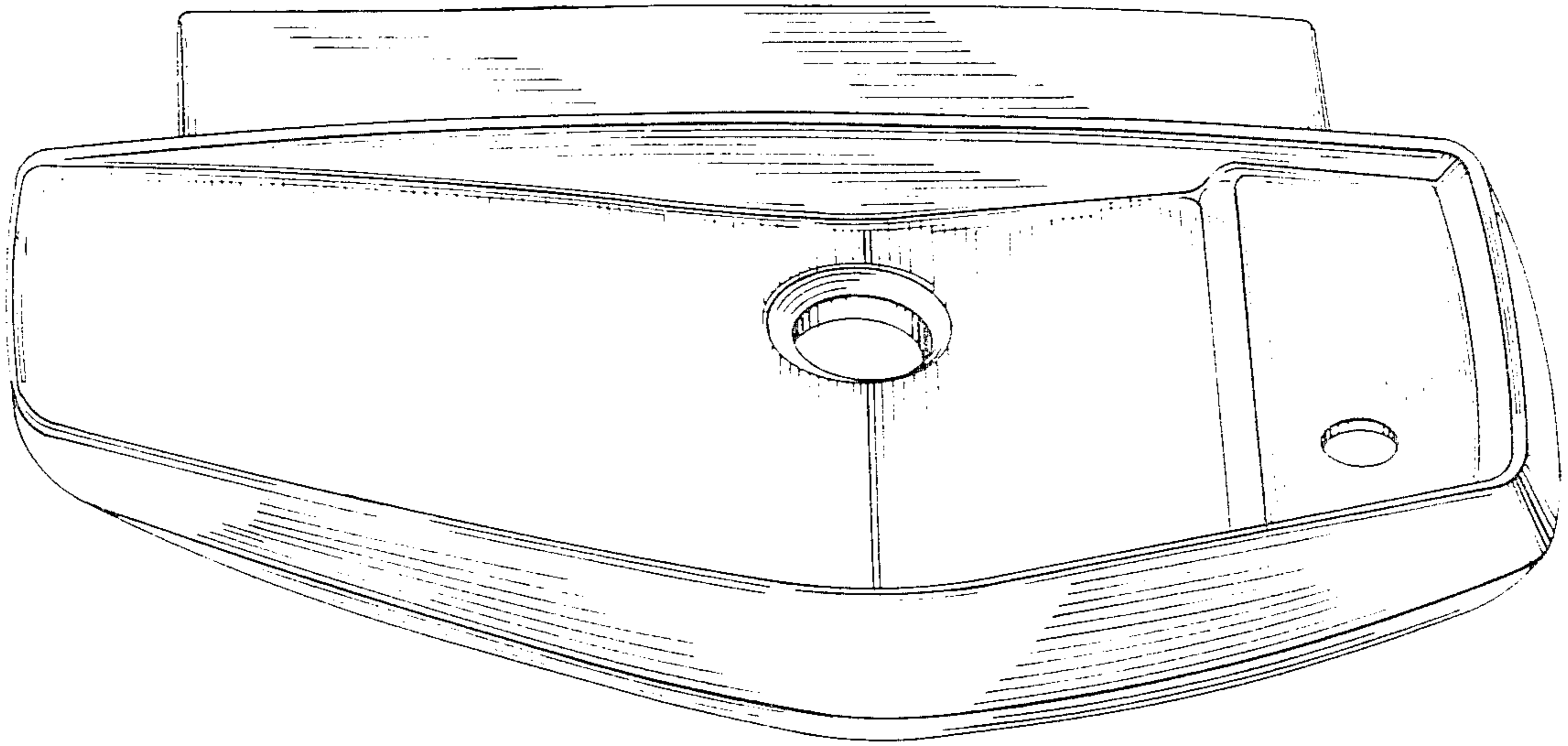


FIG. 1

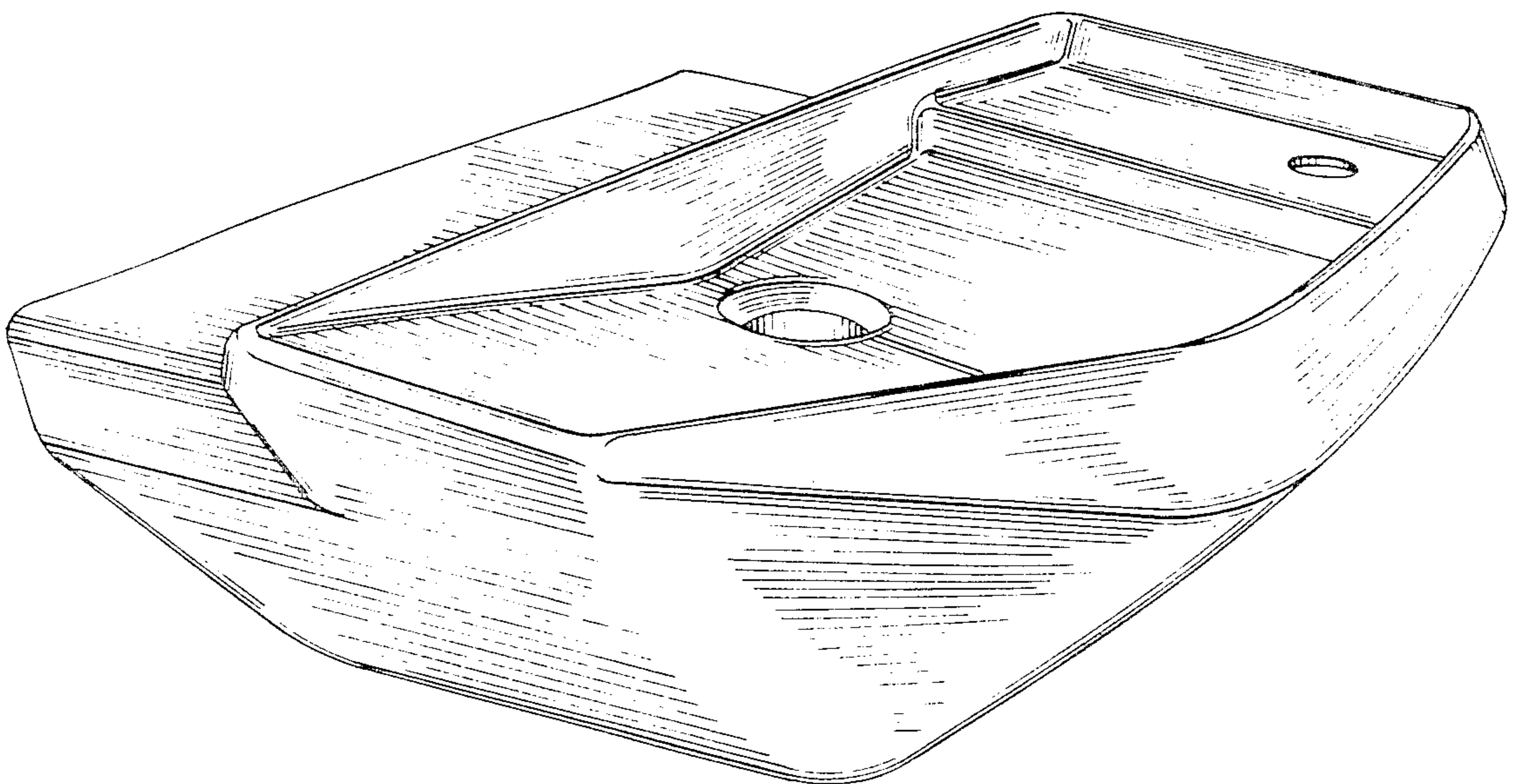


FIG. 2

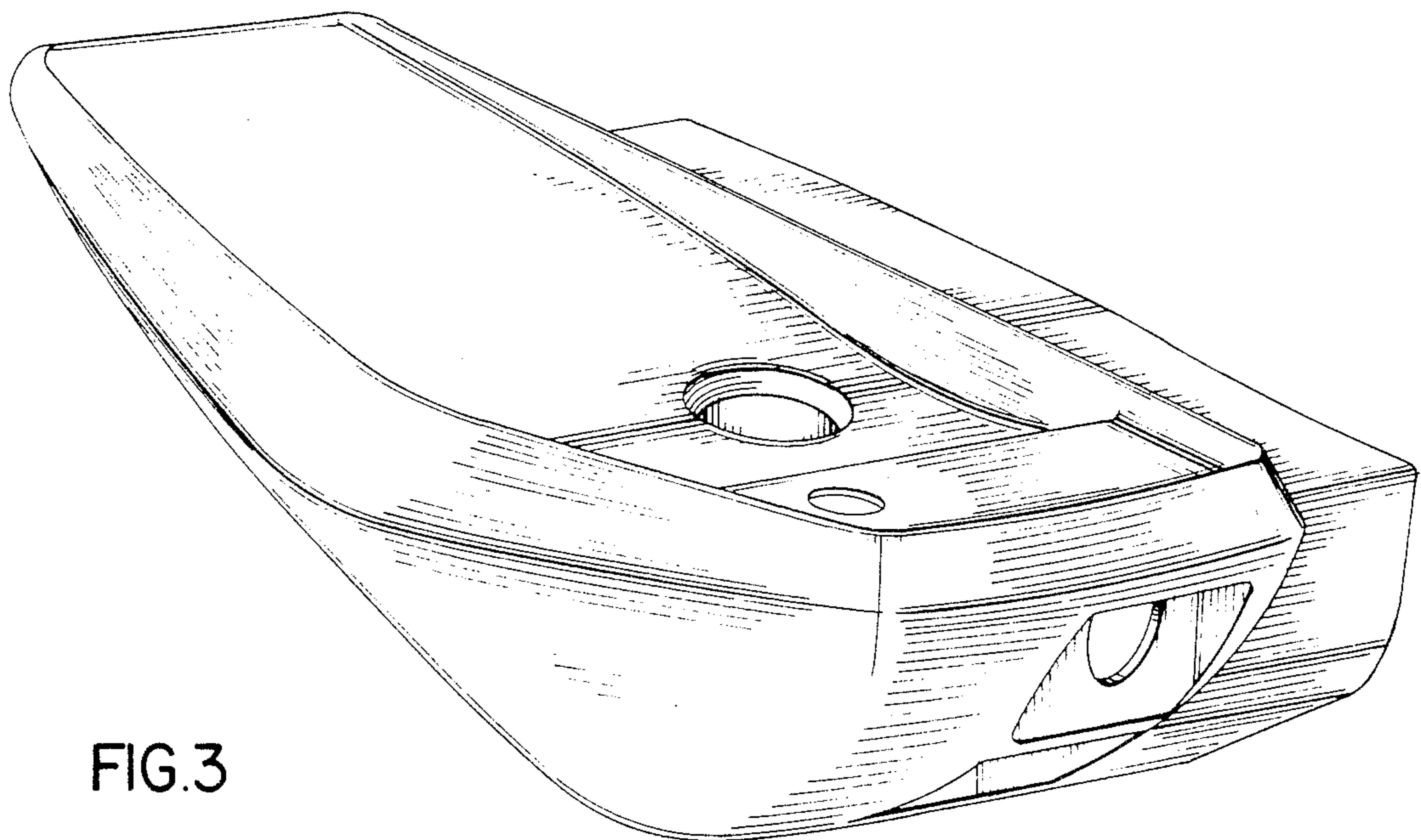
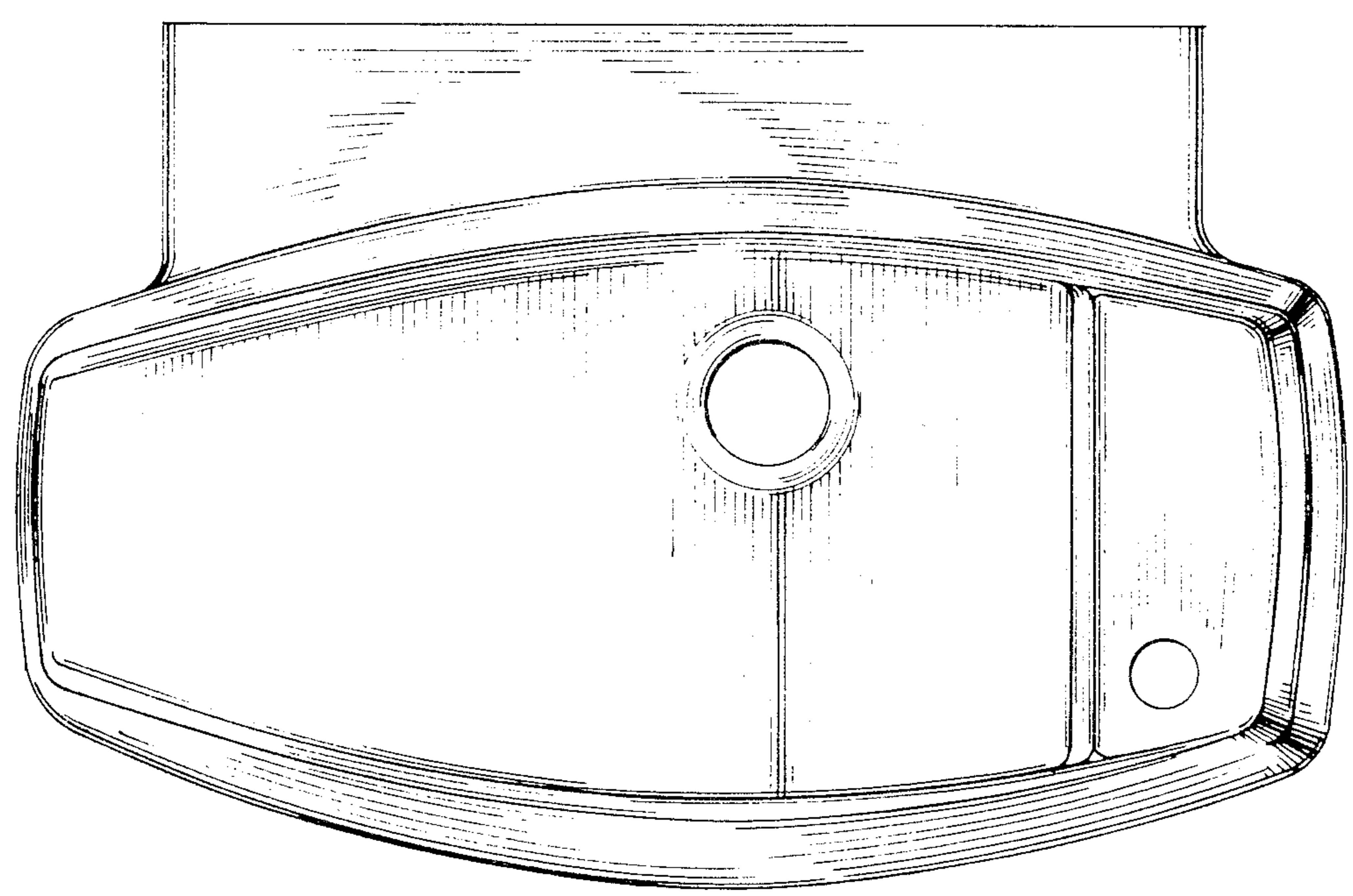


FIG. 3

FIG. 4



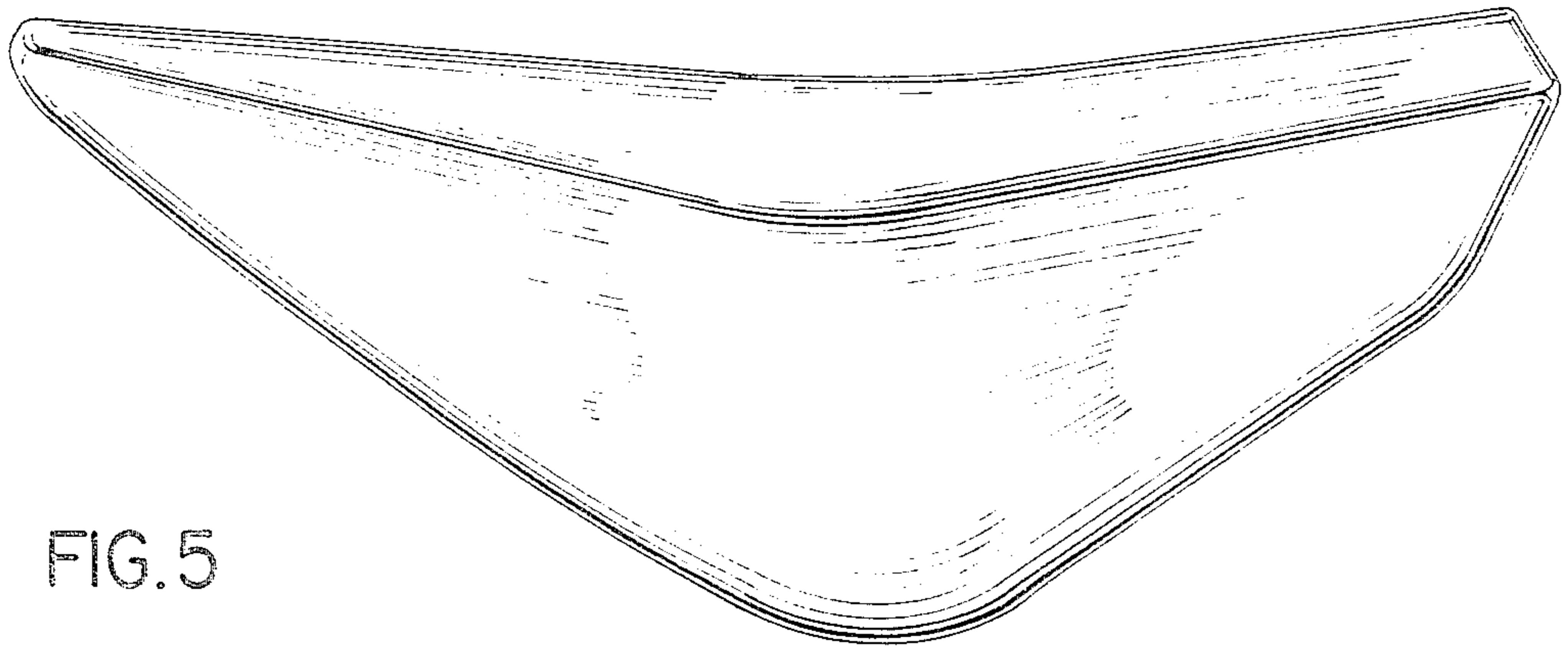


FIG. 5

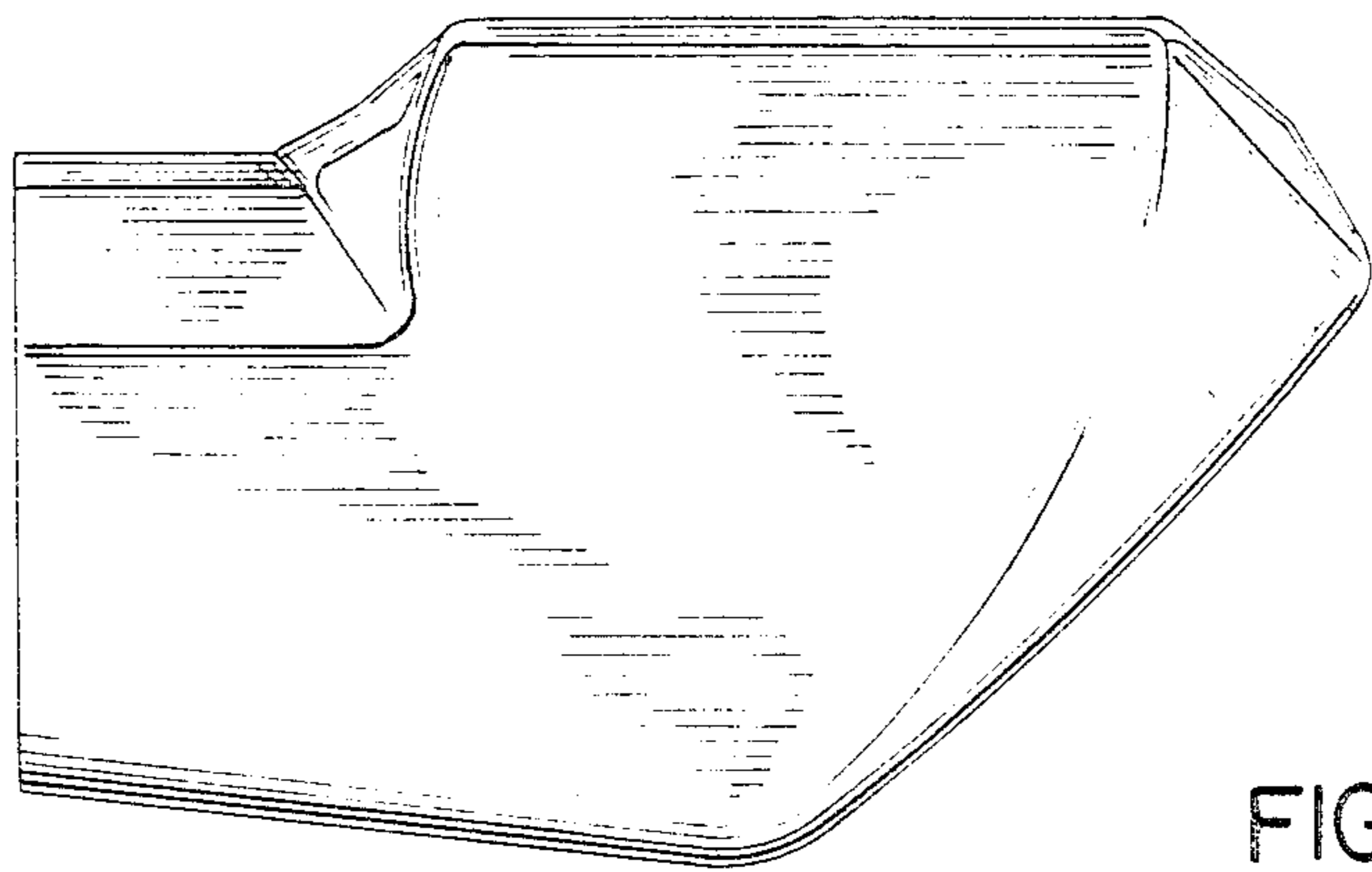


FIG. 6

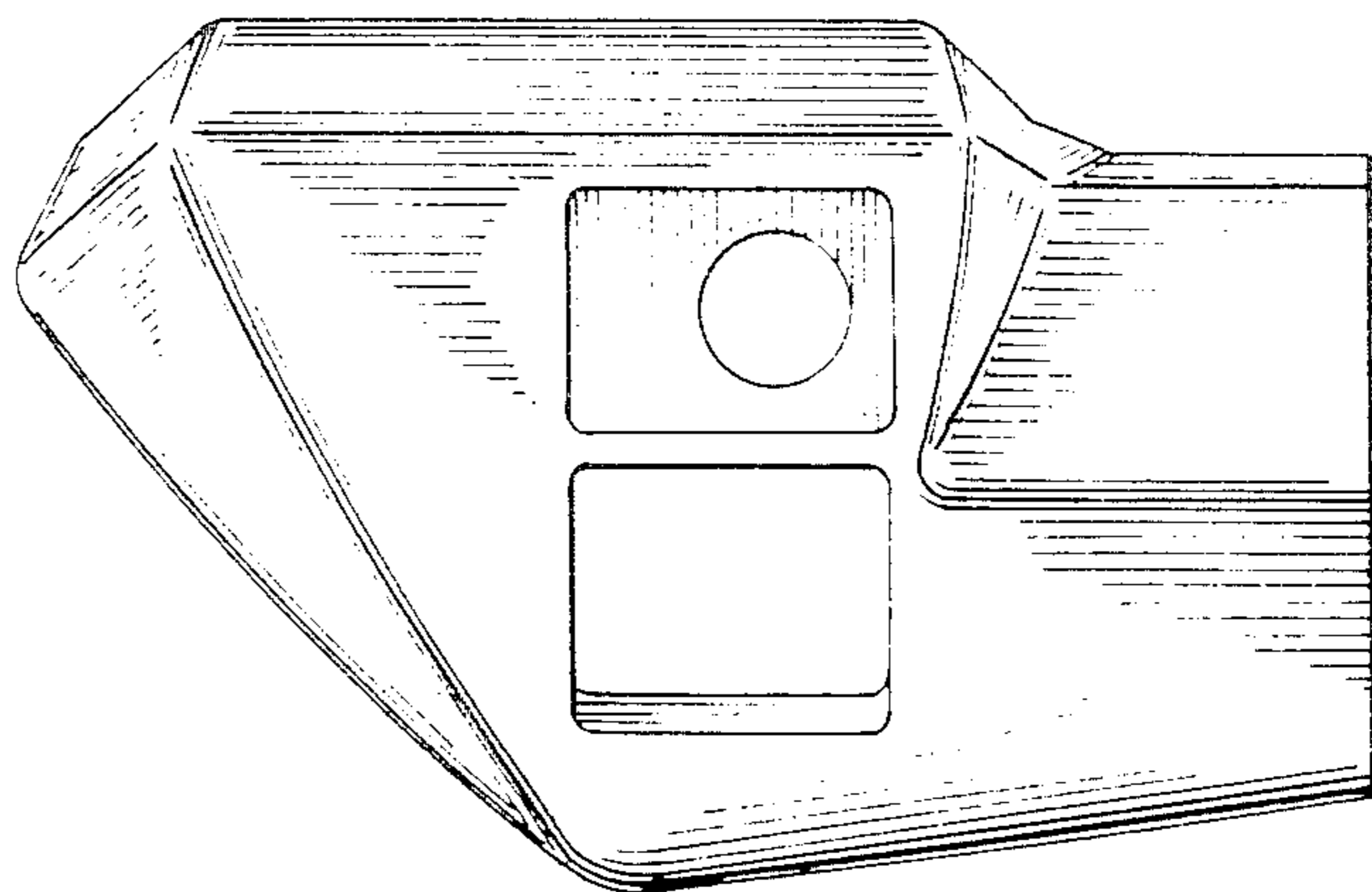


FIG. 7