

[54] **FURNITURE LEG EXTENSION UNIT OR SIMILAR ARTICLE**

[75] **Inventor: Giulio Ponzellini, Bologna, Italy**

[73] **Assignee: Castelli, S.p.A., Bologna, Italy**

[\*\*] **Term: 14 Years**

[21] **Appl. No.: 281,487**

[22] **Filed: Jul. 8, 1981**

[30] **Foreign Application Priority Data**

Jan. 8, 1980 [IT] Italy ..... 35508/80[U]

[52] **U.S. Cl. .... D6/196**

[58] **Field of Search ..... D6/20, 27, 30, 31, 146-149, D6/175, 177; 108/66, 112; 248/188**

[56] **References Cited**

**U.S. PATENT DOCUMENTS**

3,779,176 12/1973 Piretti ..... 108/112

**OTHER PUBLICATIONS**

Design Catalog, Sep. 1978, p. 42, "Folding Plano", table by Castelli.

*Primary Examiner*—Bruce W. Dunkins  
*Attorney, Agent, or Firm*—Murray Schaffer

[57] **CLAIM**

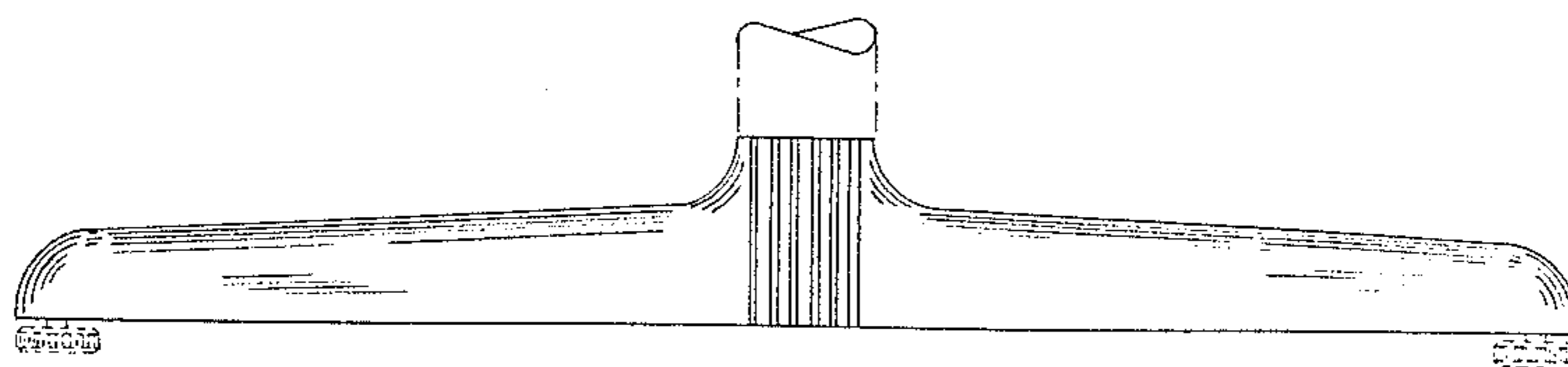
The ornamental design for a furniture leg extension unit or similar article, substantially as shown and described.

**DESCRIPTION**

FIG. 1 is a front elevational view of a leg extension unit for a table, embodying the present design; the view from the rear is identical,

FIG. 2 is a top plan view of the leg extension unit shown in FIG. 1, with the cylindrical column removed, and FIG. 3 is a bottom plan view of leg extension unit.

The broken line showing of a pedestal fragment in FIG. 1 is for illustrative purposes only.



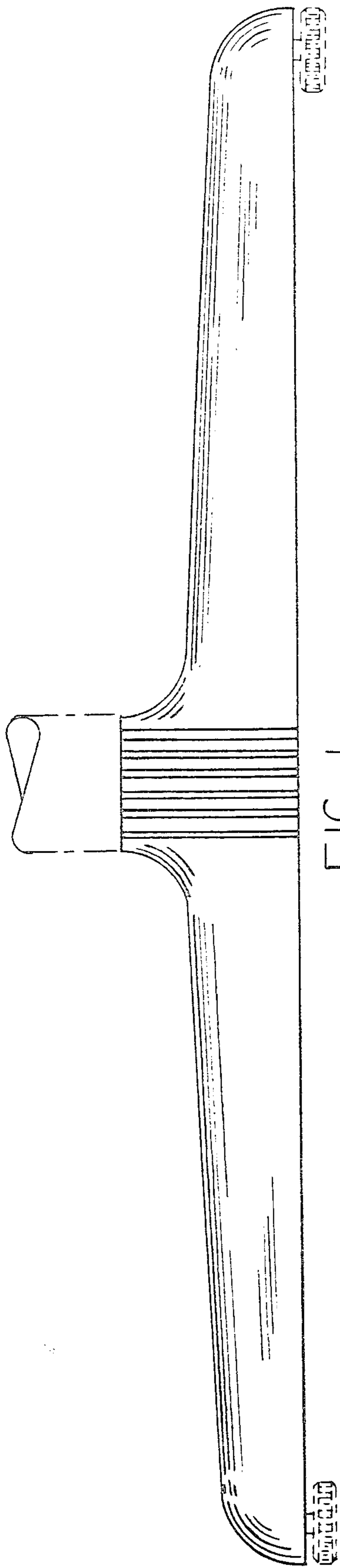


FIG. 1

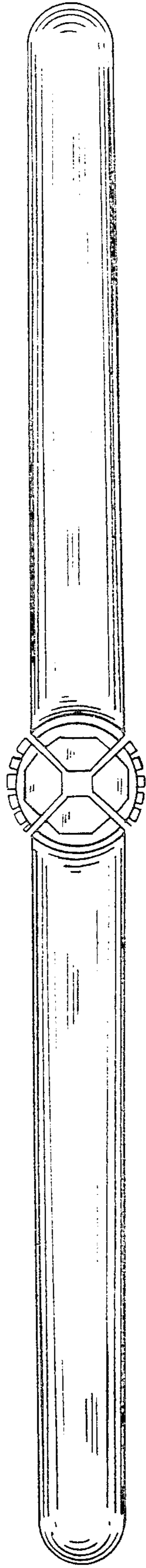


FIG. 2

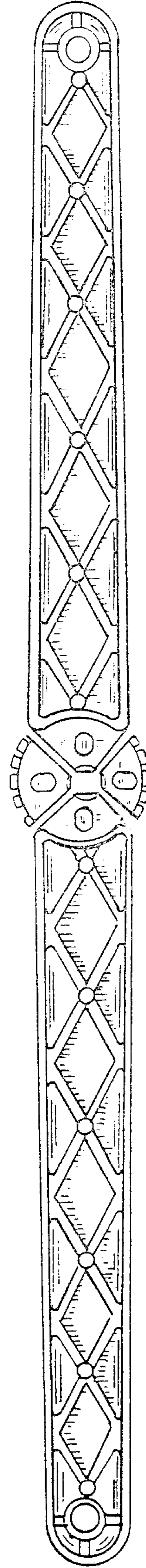


FIG. 3