

[54] OTTOMAN

[75] Inventors: Joel A. Kramer, Bradenton, Fla.;  
Alton A. Harper, Tustin, Calif.

[73] Assignee: Tropitone Furniture Company, Inc.,  
Sarasota, Fla.

[\*\*] Term: 14 Years

[21] Appl. No.: 432,113

[22] Filed: Sep. 29, 1982

[52] U.S. Cl. .... D6/36; D6/58

[58] Field of Search ..... D6/32-36,  
D6/47, 58

[56] **References Cited**

**U.S. PATENT DOCUMENTS**

D. 214,494 6/1969 Ellsworth et al. .... D6/36

D. 233,962 12/1974 Morrison et al. .... D6/35  
D. 273,351 4/1984 Crockett ..... D6/36

**OTHER PUBLICATIONS**

Interiors, Dec. 1979, p. 30, Ottoman, top center.

*Primary Examiner*—Bruce W. Dunkins  
*Attorney, Agent, or Firm*—Mason, Fenwick & Lawrence

[57] **CLAIM**

The ornamental design for an ottoman, substantially as shown.

**DESCRIPTION**

FIG. 1 is a perspective view of an ottoman embodying our inventive design;  
FIG. 2 is a top plan view thereof;  
FIG. 3 is a front elevation view thereof;  
FIG. 4 is an end elevation view thereof; and  
FIG. 5 is a bottom plan view thereof.

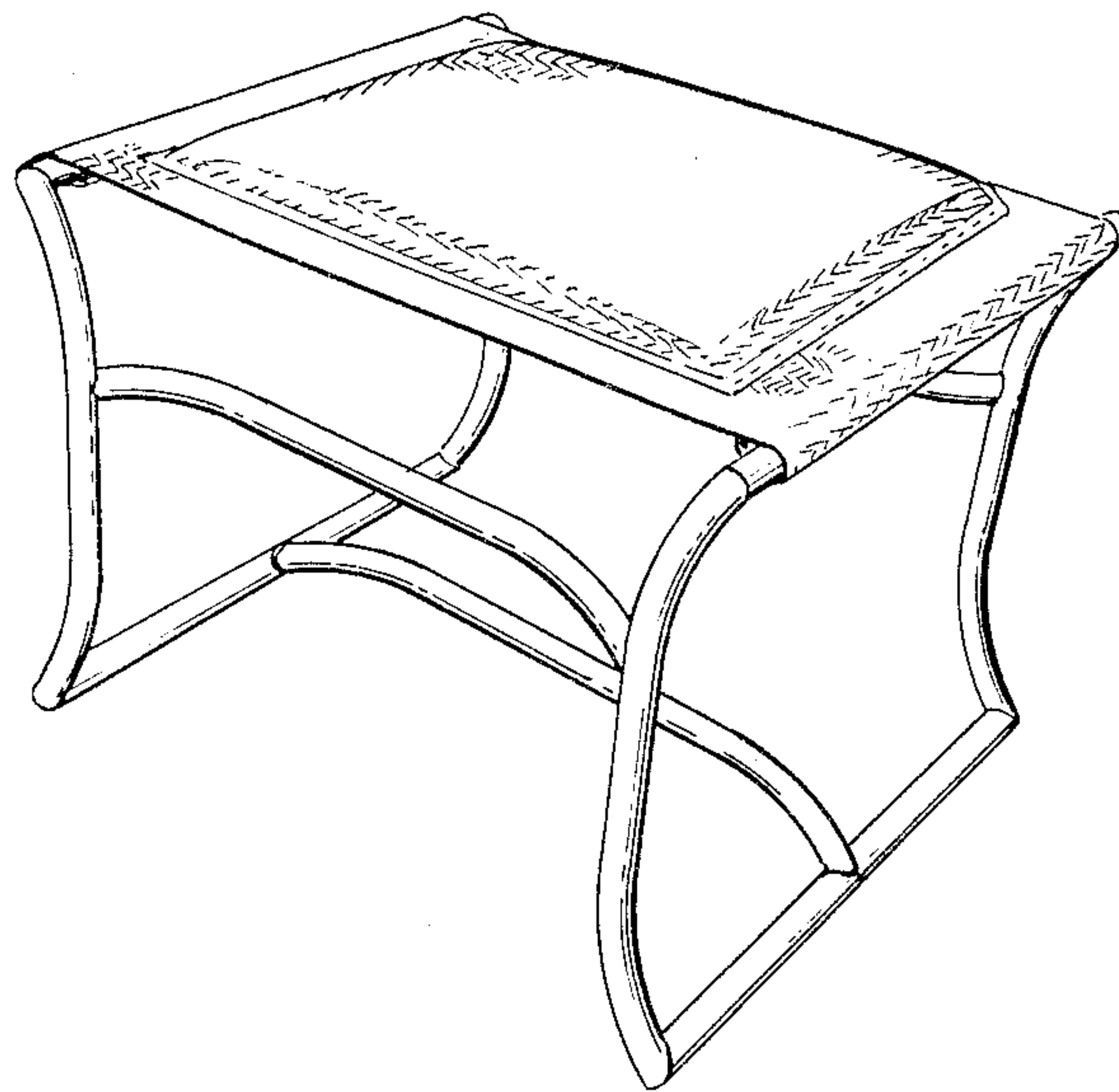


Fig-1

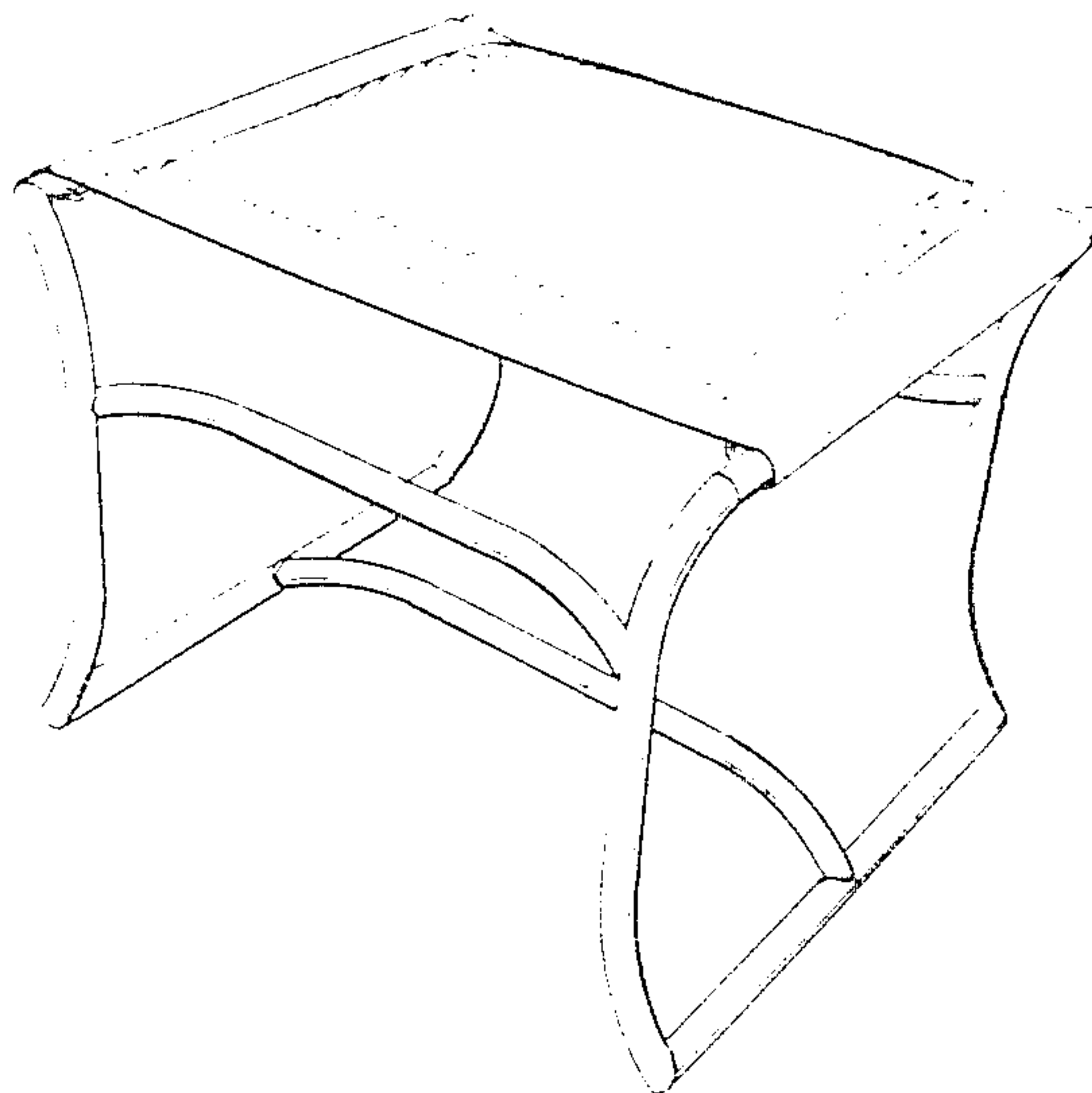


Fig-2

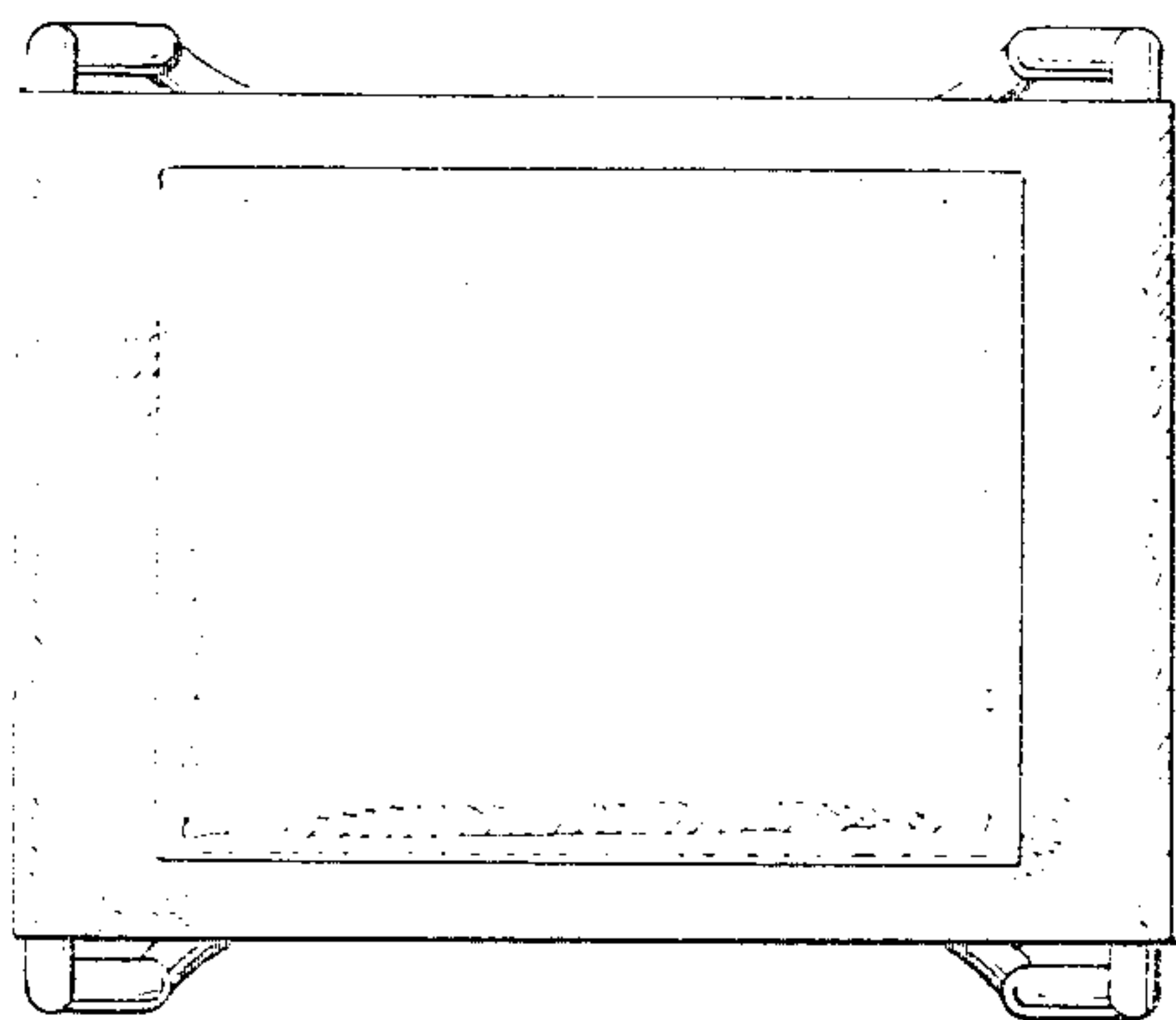


Fig-3

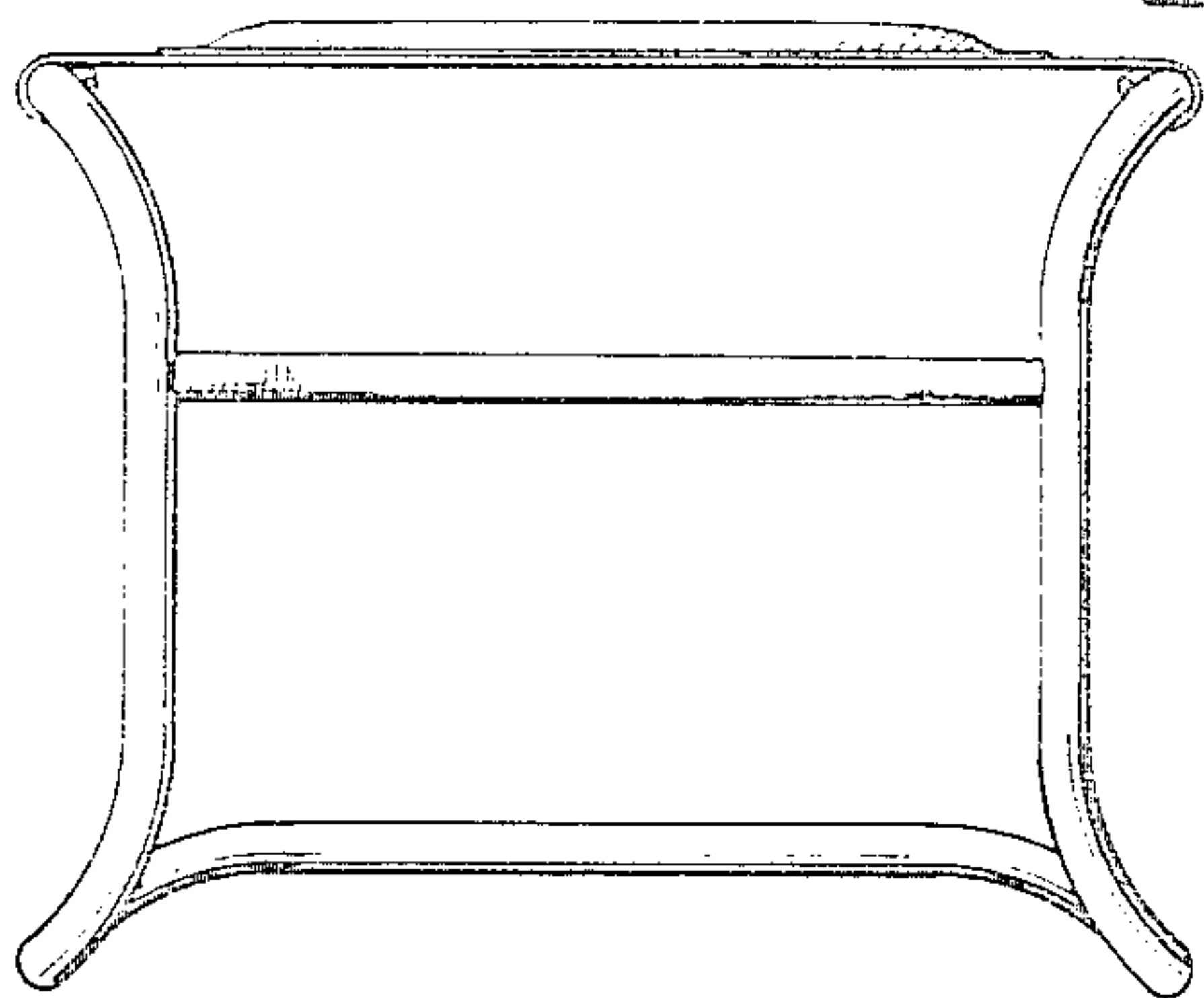


Fig-4

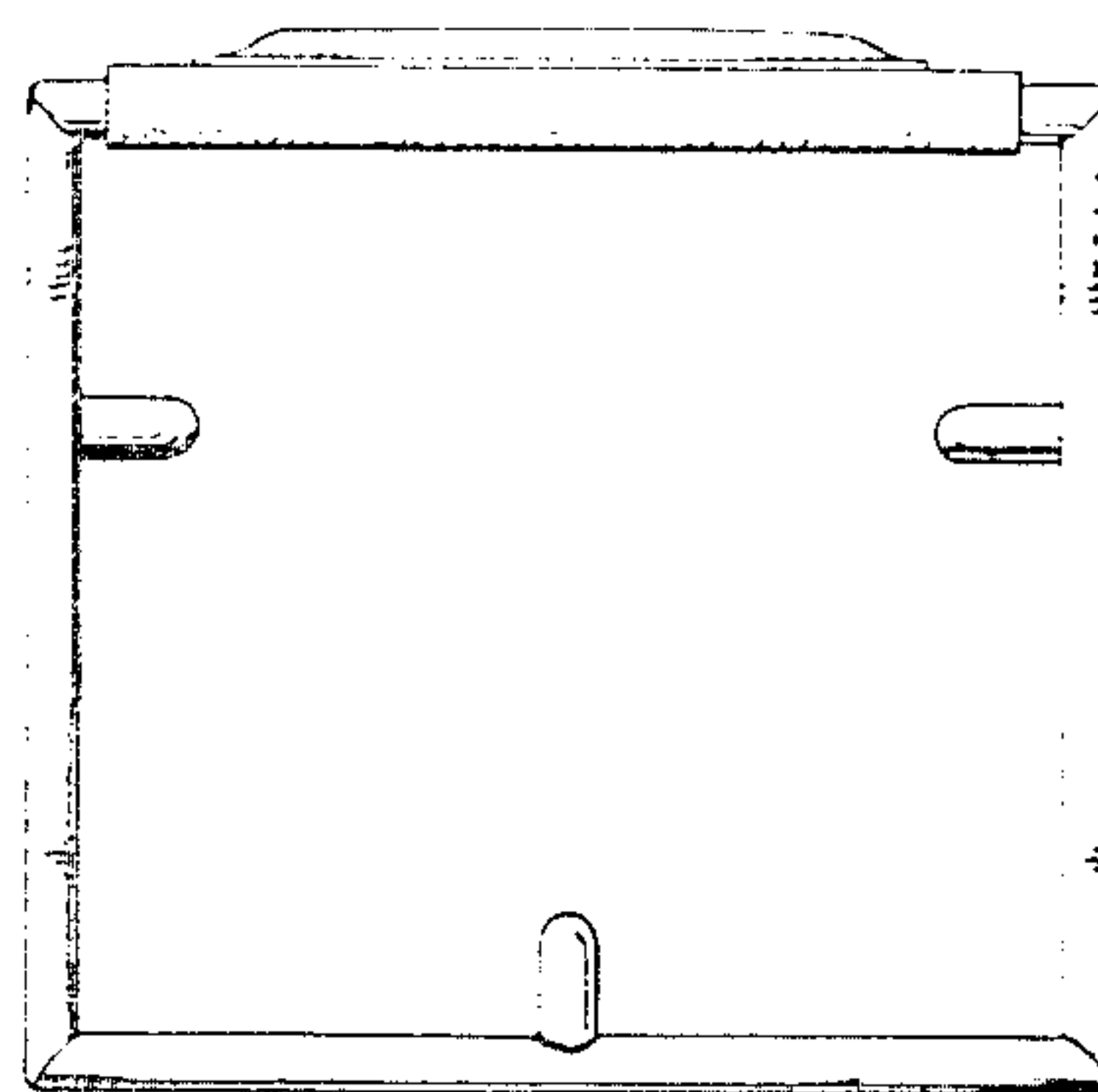


Fig-5

