

[54] HEADLIGHT

[75] Inventor: Francois Bailly, Neuilly sur Seine, France

[73] Assignee: Equipements Automobiles Marchal, Issy-les-Moulineaux, France

[\*\*] Term: 14 Years

[21] Appl. No.: 434,846

[22] Filed: Oct. 18, 1982

Related U.S. Application Data

[63] Continuation of Ser. No. 160,300, Jun. 17, 1980.

[30] Foreign Application Priority Data

Oct. 1, 1979 [FR] France ..... 77.915

[52] U.S. Cl. .... D26/29

[58] Field of Search ..... D26/24, 28, 29, 30, D26/31, 34, 36; 362/61, 235, 250, 307, 310, 311, 341, 362, 363, 418, 419, 427

[56]

References Cited

U.S. PATENT DOCUMENTS

D. 224,143	7/1972	Cleminshaw et al. ....	D26/36
D. 229,774	1/1974	Cibie .....	D26/29
D. 237,648	11/1975	Cibie .....	D26/28
3,896,302	7/1975	Whitney .....	362/310

Primary Examiner—Susan J. Lucas  
Attorney, Agent, or Firm—Brisebois & Kruger

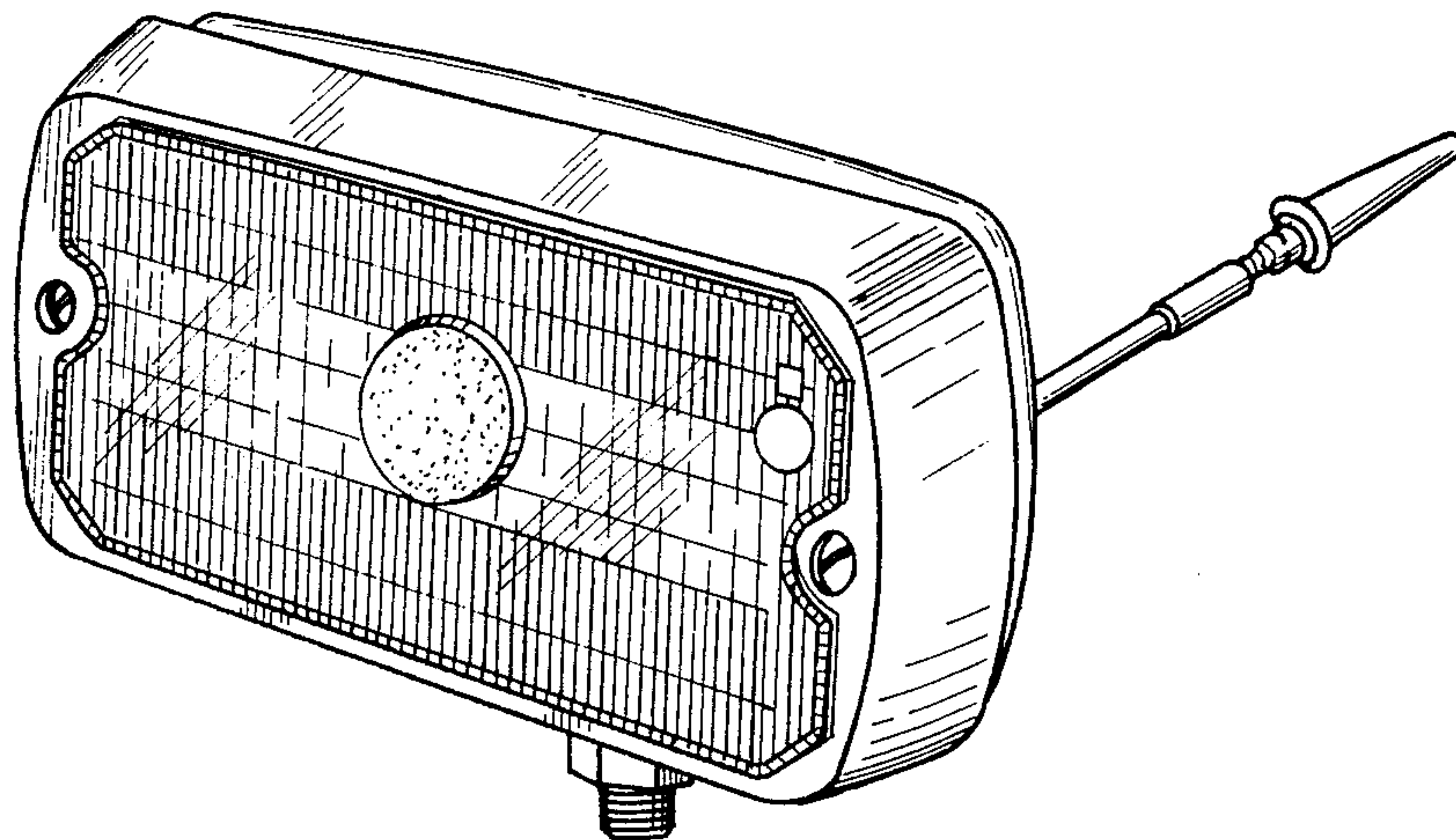
[57]

CLAIM

The ornamental design for a headlight, as shown.

DESCRIPTION

FIG. 1 is a front perspective view of a headlight showing the new design;  
FIG. 2 is a rear perspective view thereof;  
FIG. 3 is a front view in elevation thereof;  
FIG. 4 is a top plan view thereof;  
FIG. 5 is a bottom plan view thereof;  
FIG. 6 is a rear view in elevation thereof;  
FIG. 7 is a left hand end view thereof; and  
FIG. 8 is a right hand end view thereof.



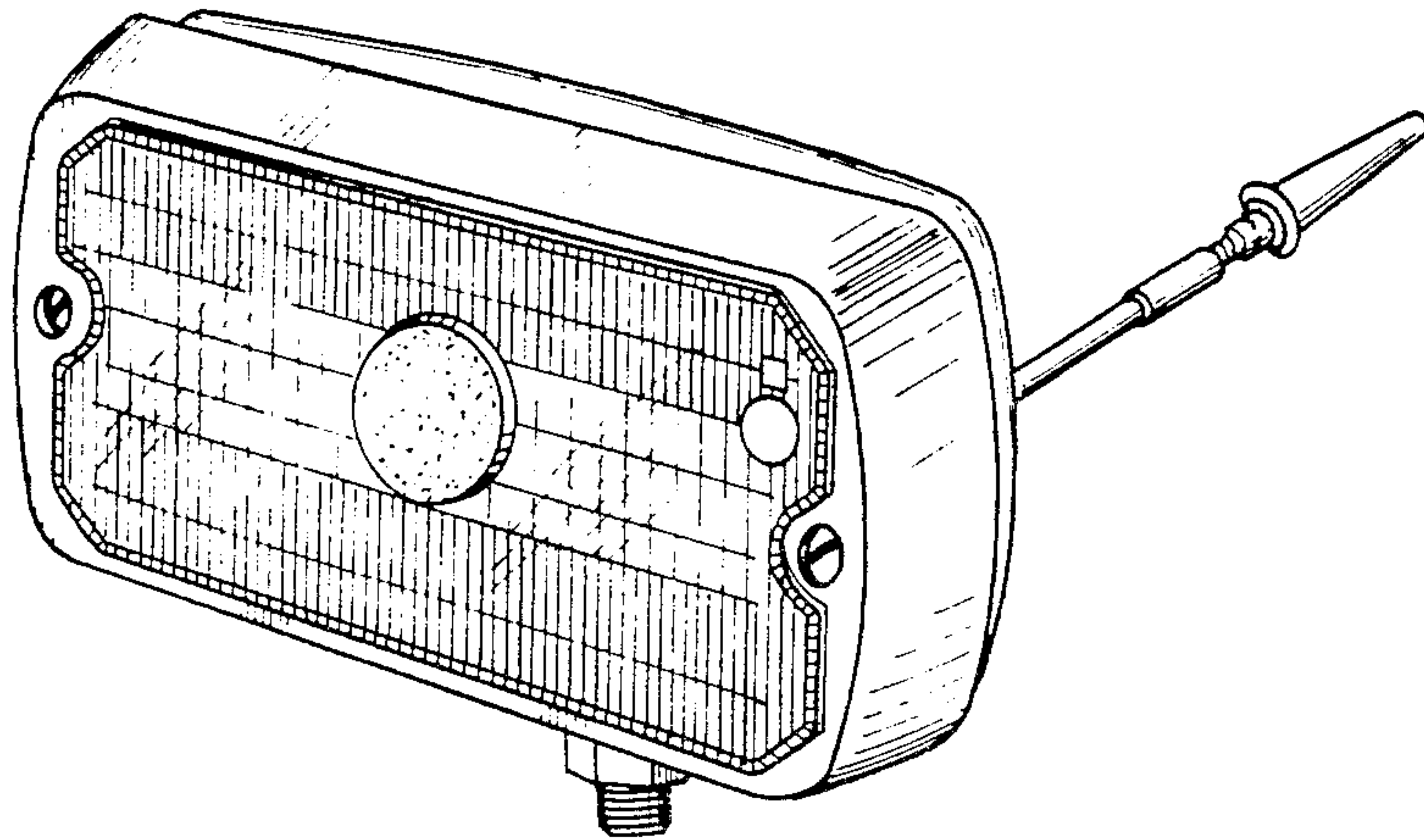


FIG. 1

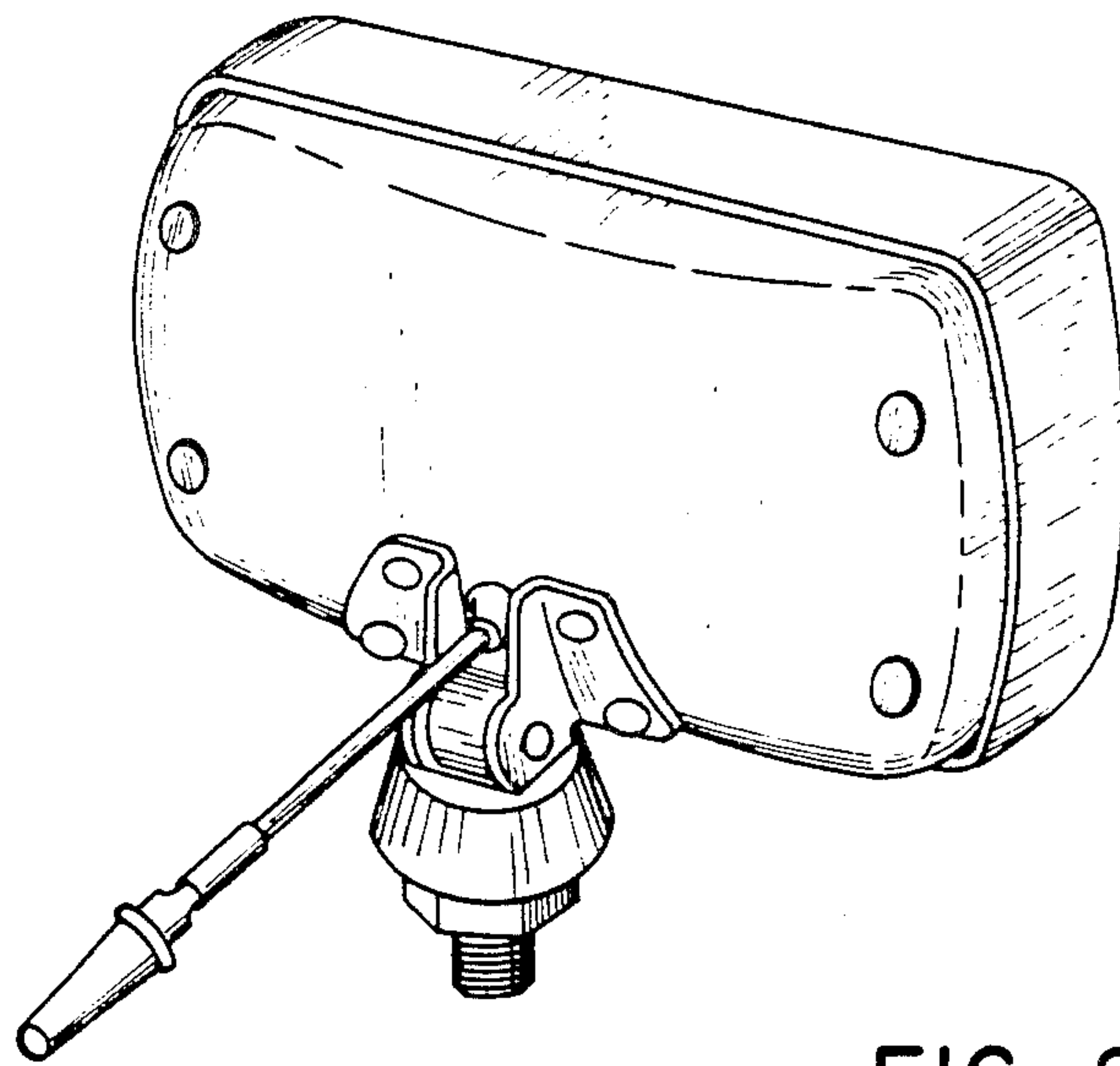


FIG. 2

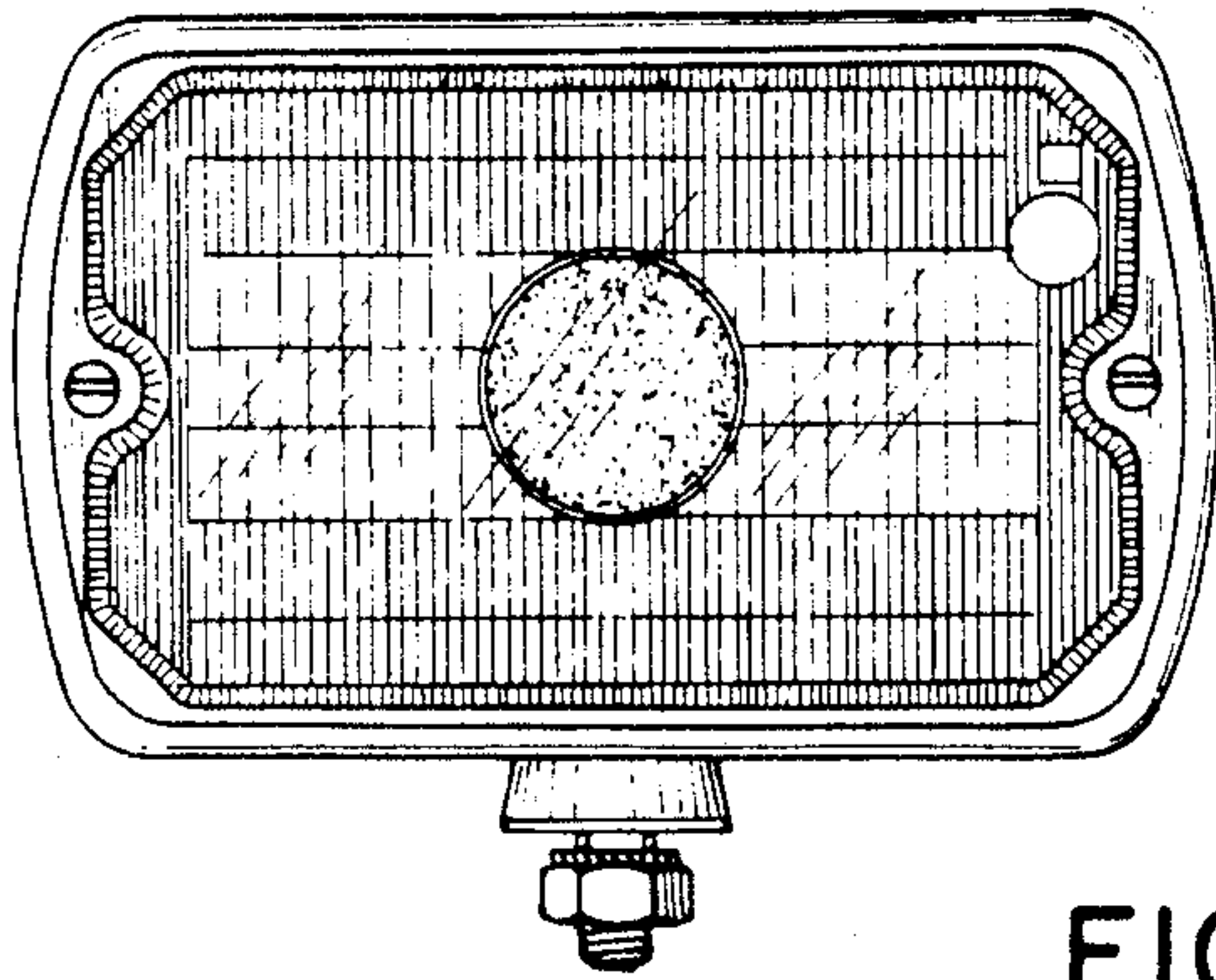


FIG. 3

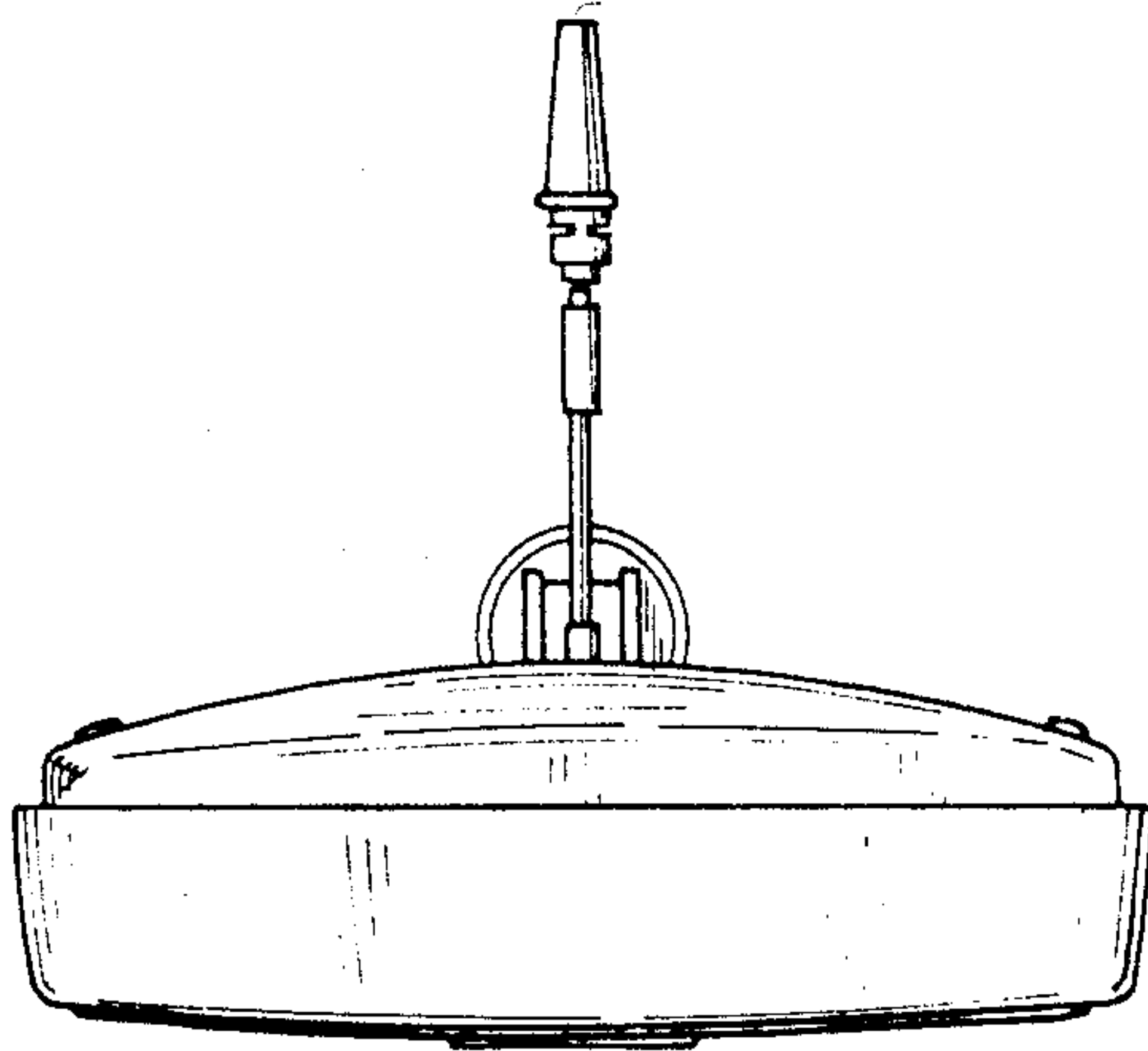


FIG. 4

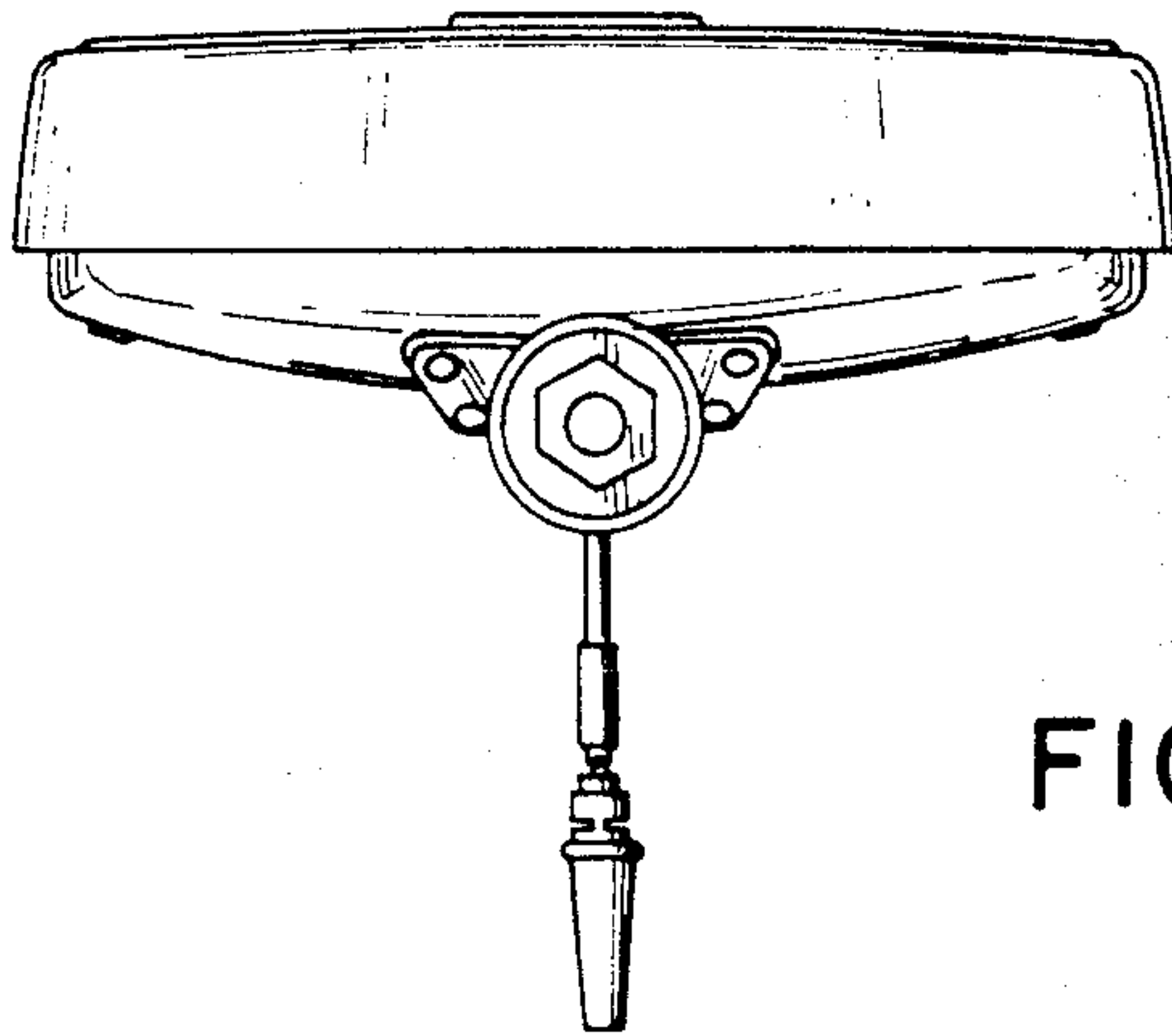


FIG. 5

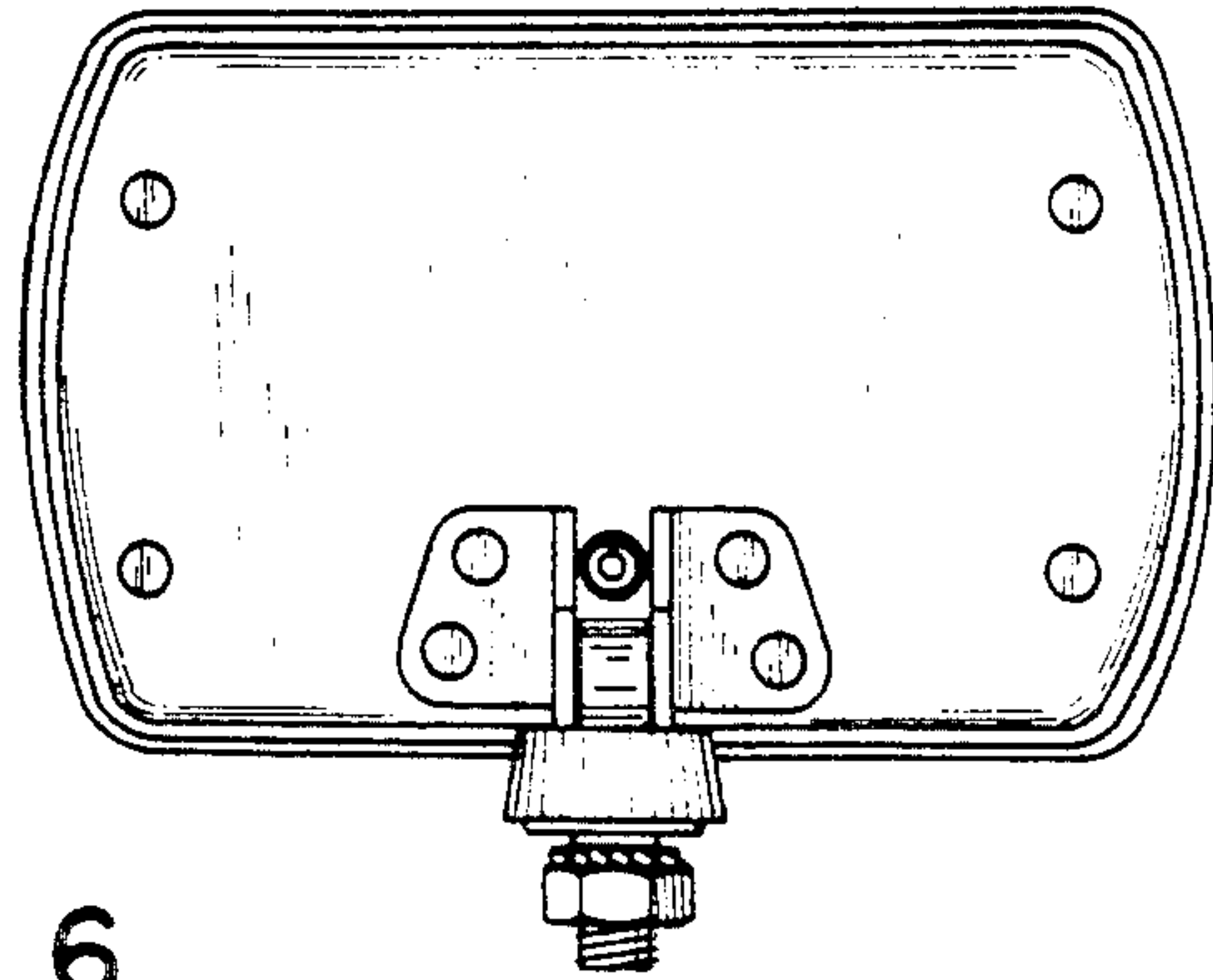


FIG. 6

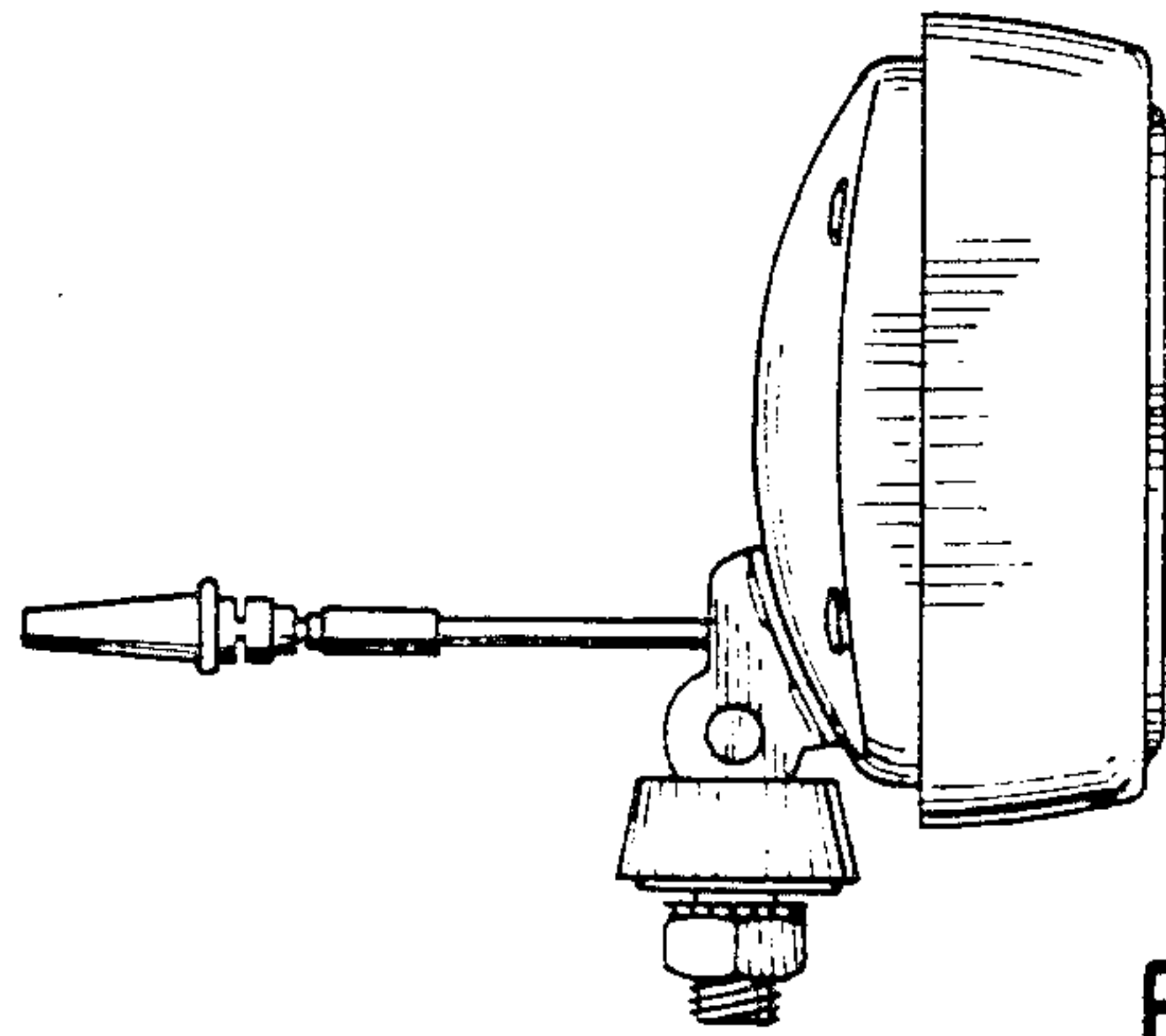


FIG. 7

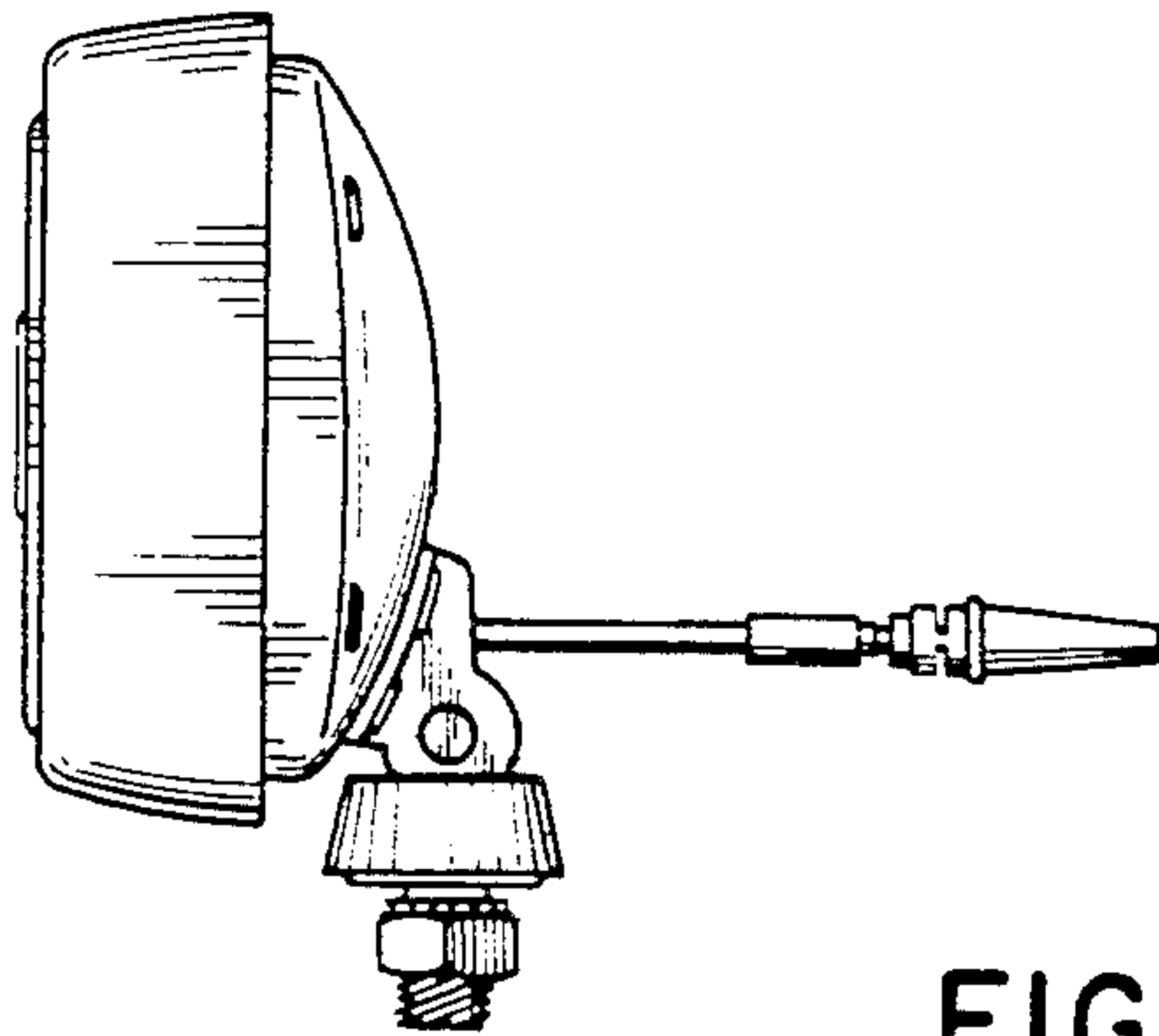


FIG. 8