

[54] MEDICAL AEROSOL INHALATION DEVICE

[75] Inventors: **Sven G. Nyman**, Dalby, Sweden;
Kaija A. Snellman-Wasenius,
Söderkulla; **Risto Virtanen**,
Nurmiärvi, both of Finland

[73] Assignee: **Aktiebolaget Draco**, Sweden

[**] Term: **14 Years**

[21] Appl. No.: **357,178**

[22] Filed: **Mar. 11, 1982**

[30] Foreign Application Priority Data

Sep. 21, 1981 [SE] Sweden 81-2035

[52] U.S. Cl. **D24/62**

[58] Field of Search D24/62; 128/200.23,
128/200.14, 203.24; 239/288, 288.5, 338; 222/3

[56] References Cited

U.S. PATENT DOCUMENTS

- D. 262,320 12/1981 Monö D24/62
- D. 272,094 1/1984 Wolf D24/62
- 3,429,310 2/1969 Jaffe et al. .

- 3,456,645 7/1969 Brock 128/200.23
- 3,865,279 2/1975 James .
- 4,114,811 9/1978 Loeffler 128/200.23
- 4,292,966 10/1981 Monö et al. 128/200.23

FOREIGN PATENT DOCUMENTS

- 382922 12/1964 Switzerland .
- 1288971 9/1972 United Kingdom .

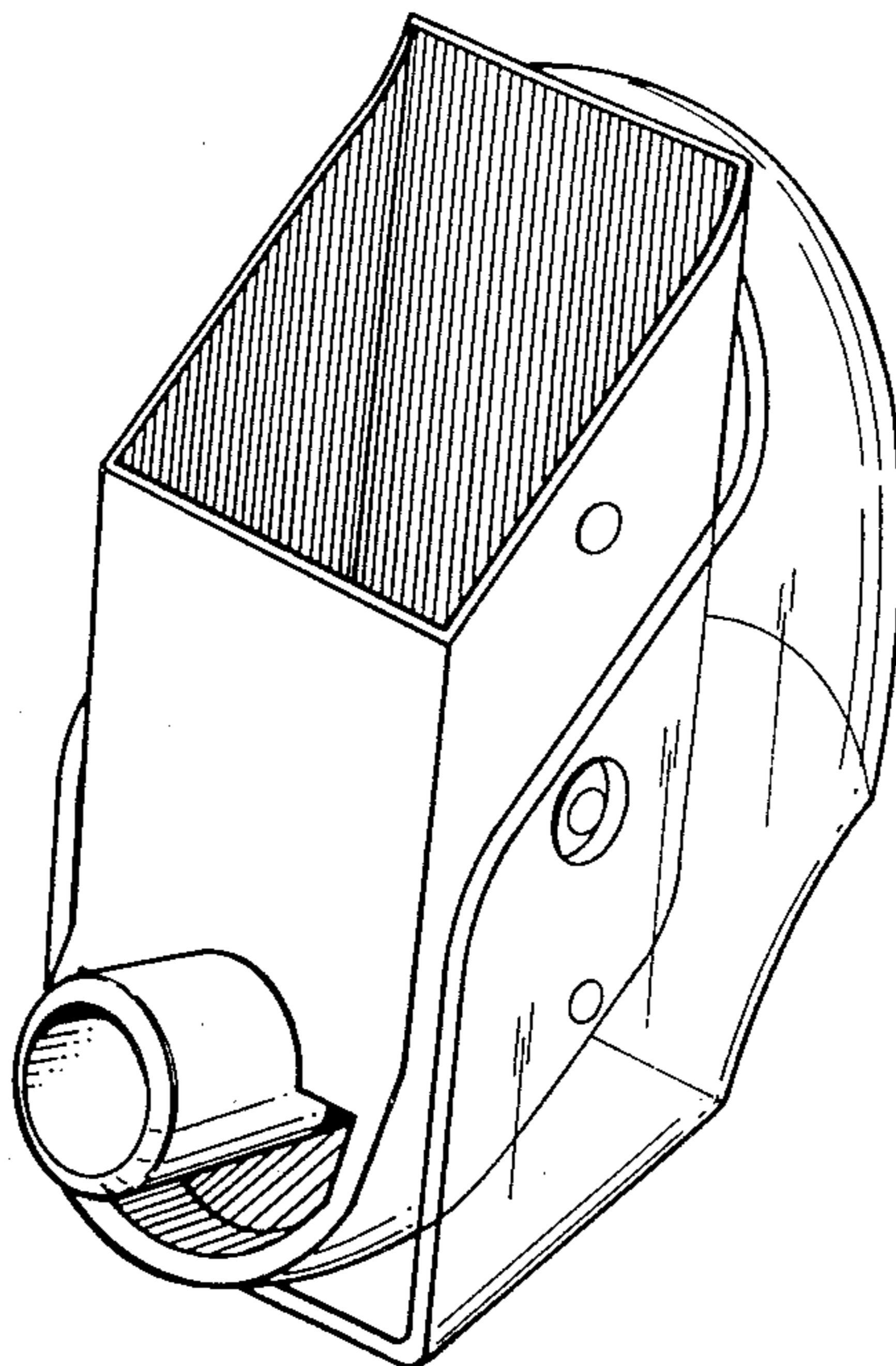
Primary Examiner—A. Hugo Word
Attorney, Agent, or Firm—Brumbaugh, Graves,
Donohue & Raymond

[57] CLAIM

The ornamental design for a medical aerosol inhalation device, as shown.

DESCRIPTION

FIG. 1 is a top front perspective view of a medical aerosol inhalation device, in an open position, showing our new design;
FIG. 2 is a bottom rear perspective view thereof;
FIG. 3 is a top front perspective view of the device in a closed position; and
FIG. 4 is a bottom rear perspective view thereof.



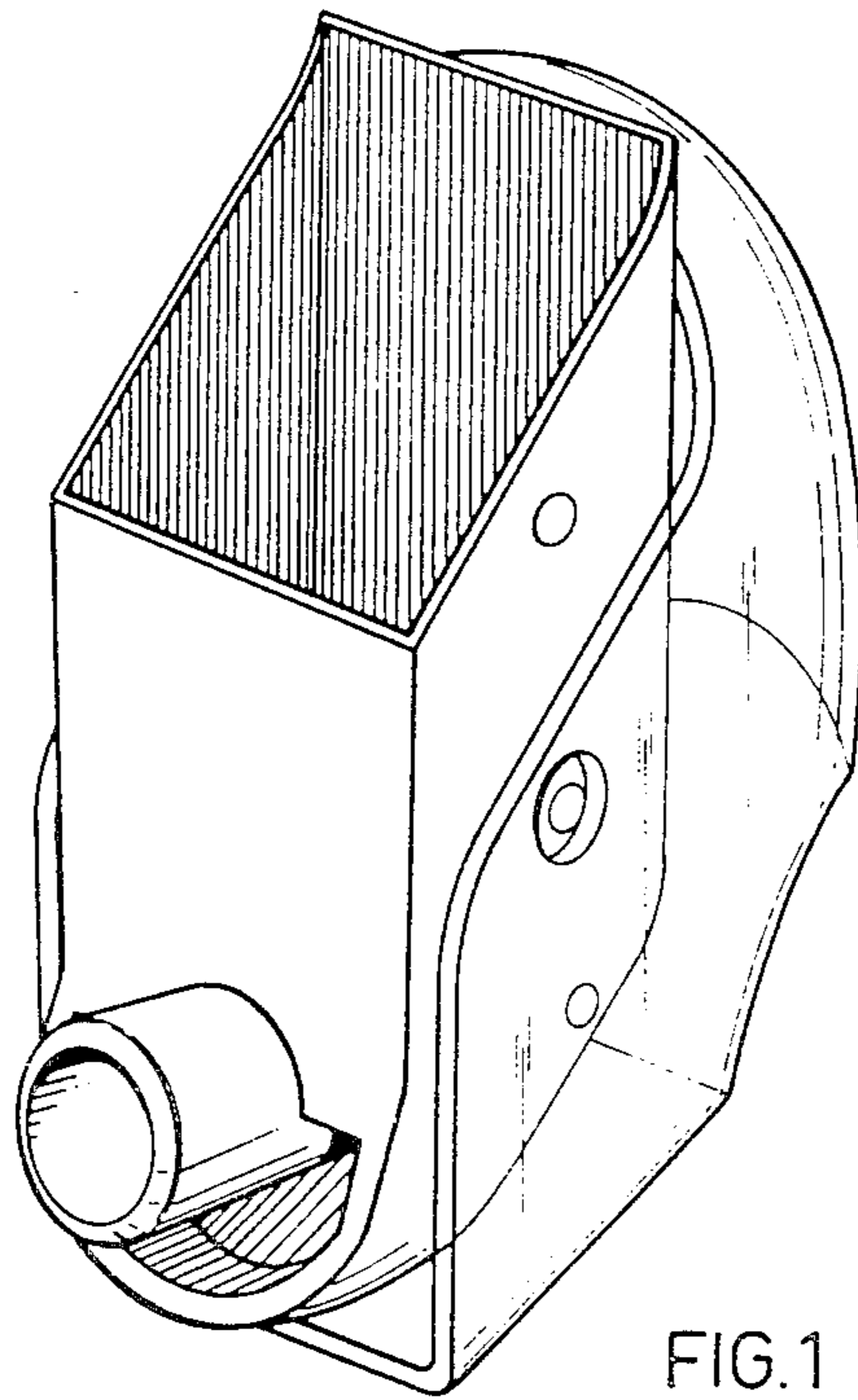


FIG. 1

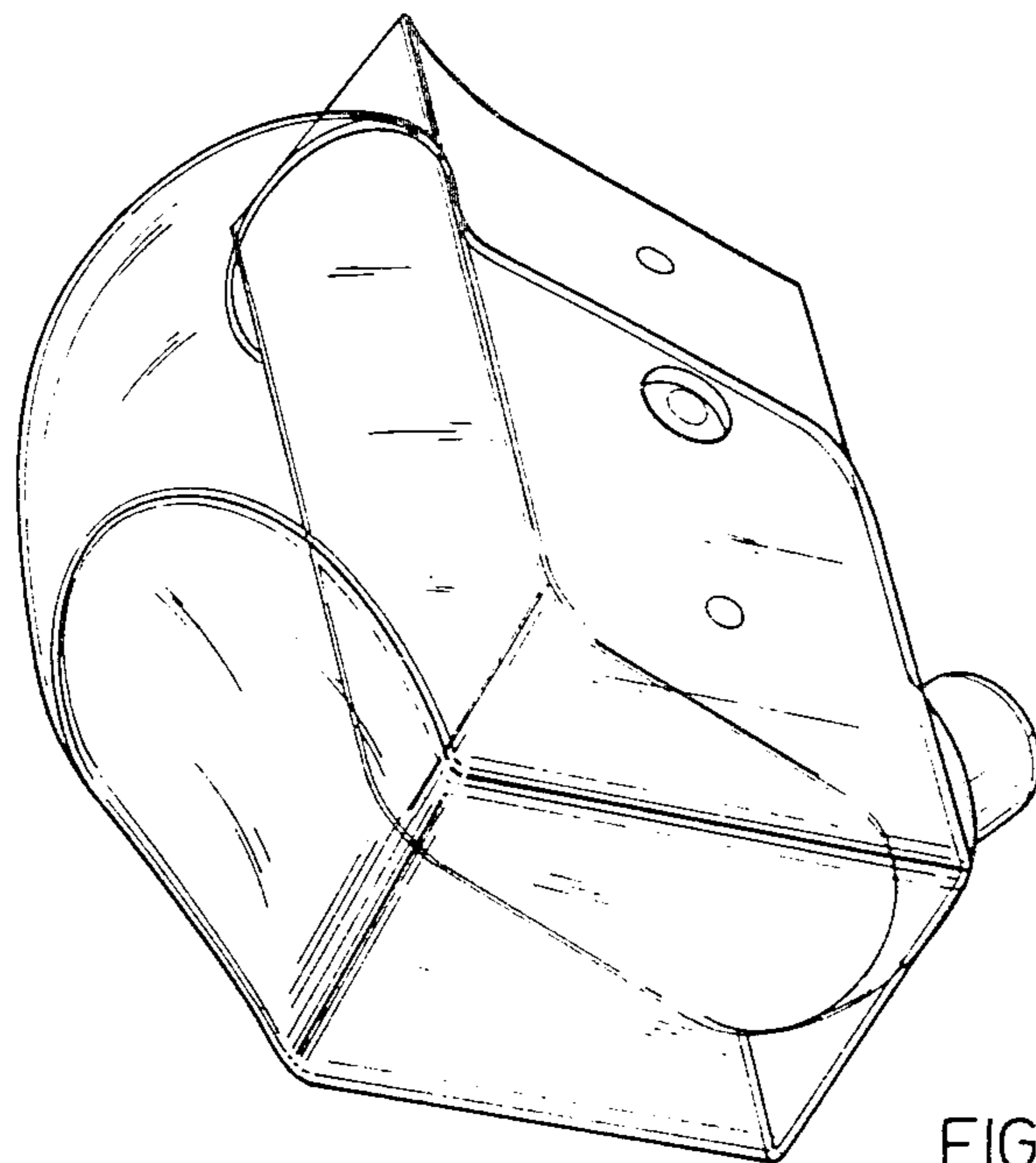


FIG. 2

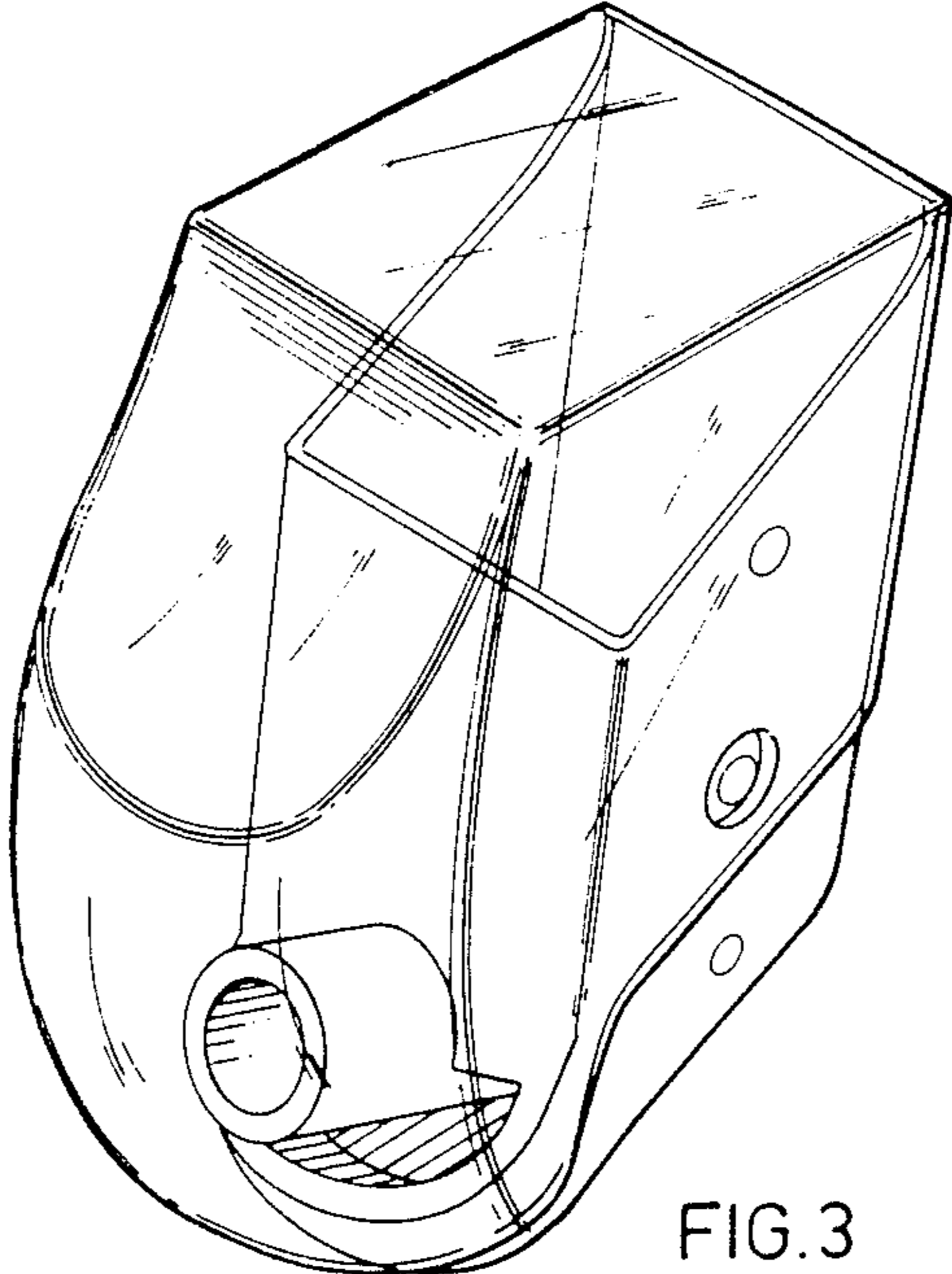


FIG. 3

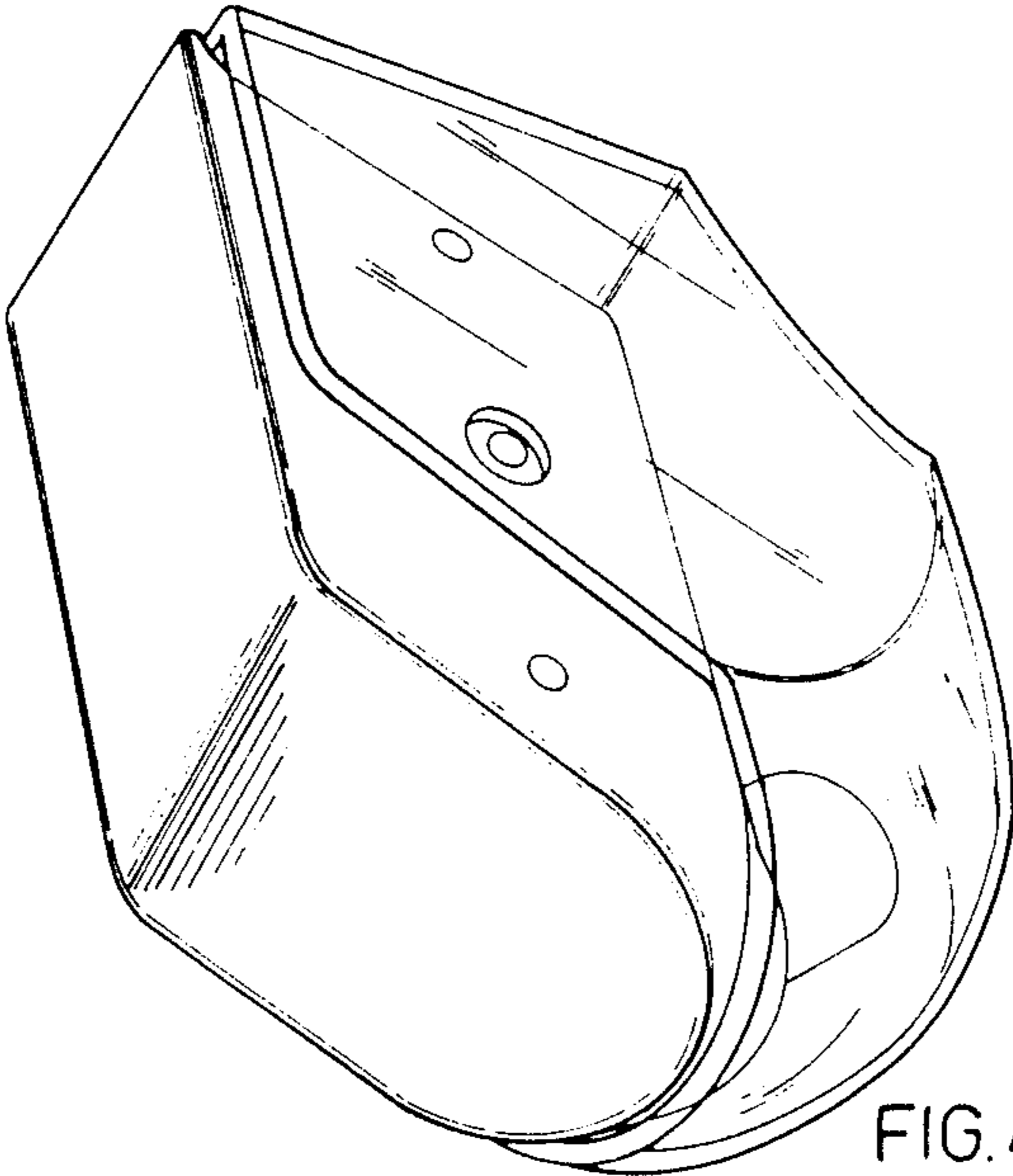


FIG. 4

UNITED STATES PATENT AND TRADEMARK OFFICE
CERTIFICATE OF CORRECTION

PATENT NO. : Des. 276,847
DATED : December 18, 1984
INVENTOR(S) : Sven Gosta Nyman et al

It is certified that error appears in the above-identified patent and that said Letters Patent is hereby corrected as shown below:

First page, last line of Item [75], "Nurmiärvi" should
read --Nurmijärvi--;

First page, 2nd Col, 2nd line of the claim, after "shown"
insert --and described--.

Signed and Sealed this
Thirtieth Day of April 1985

[SEAL]

Attest:

DONALD J. QUIGG

Attesting Officer

Acting Commissioner of Patents and Trademarks