

[54] CONDENSING UNIT HOUSING FOR AN AIR CONDITIONING SYSTEM

[75] Inventor: Walter W. Hoyle, Fayetteville, N.Y.

[73] Assignee: Carrier Corporation, Syracuse, N.Y.

[**] Term: 14 Years

[21] Appl. No.: 427,207

[22] Filed: Sep. 29, 1982

[52] U.S. Cl. D23/139

[58] Field of Search D23/139-149, D23/153; 62/305, 507, DIG. 16

[56] References Cited

U.S. PATENT DOCUMENTS

| | | | |
|------------|---------|----------------------|----------|
| D. 219,449 | 12/1970 | Ortega et al. | D23/139 |
| D. 219,450 | 12/1970 | Ortega et al. | D23/139 |
| D. 226,914 | 5/1973 | Hoyle | D23/139 |
| 3,498,080 | 3/1970 | Campbell et al. | 62/507 X |
| 4,340,115 | 7/1982 | Wright et al. | 62/507 X |

OTHER PUBLICATIONS

Carrier Brochure—"Carrier High Efficiency Air-Cooled Condensing Units" 38VH.

Carrier Brochure—"Carrier Reliable, Efficient Air-Cooled Condensing Units" 38RE.

Carrier Brochure—"The Carrier Deluxe Round One.

Carrier Brochure—"Carrier Air-Cooled Condensing Units" 38TE.

Primary Examiner—James R. Largen

Attorney, Agent, or Firm—David J. Zobkiw

[57] CLAIM

The ornamental design for a condensing unit housing for an air conditioning system, as shown and described.

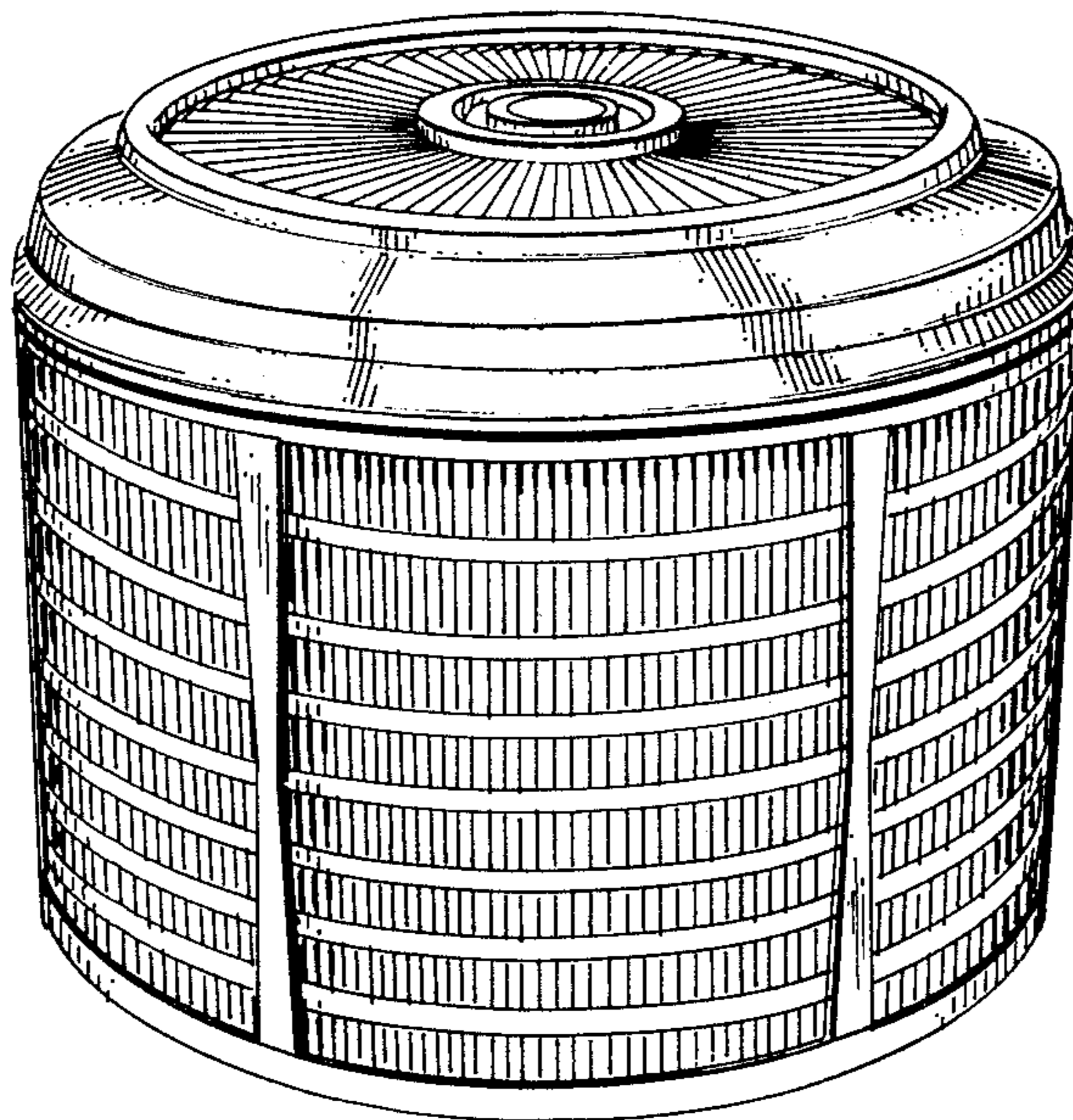
DESCRIPTION

FIG. 1 is a top perspective view of a condensing unit housing for an air conditioning system showing my new design;

FIG. 2 is a side elevational view thereof, the other sides being the same as the side shown;

FIG. 3 is a top plan view thereof; and

FIG. 4 is a bottom plan view thereof.



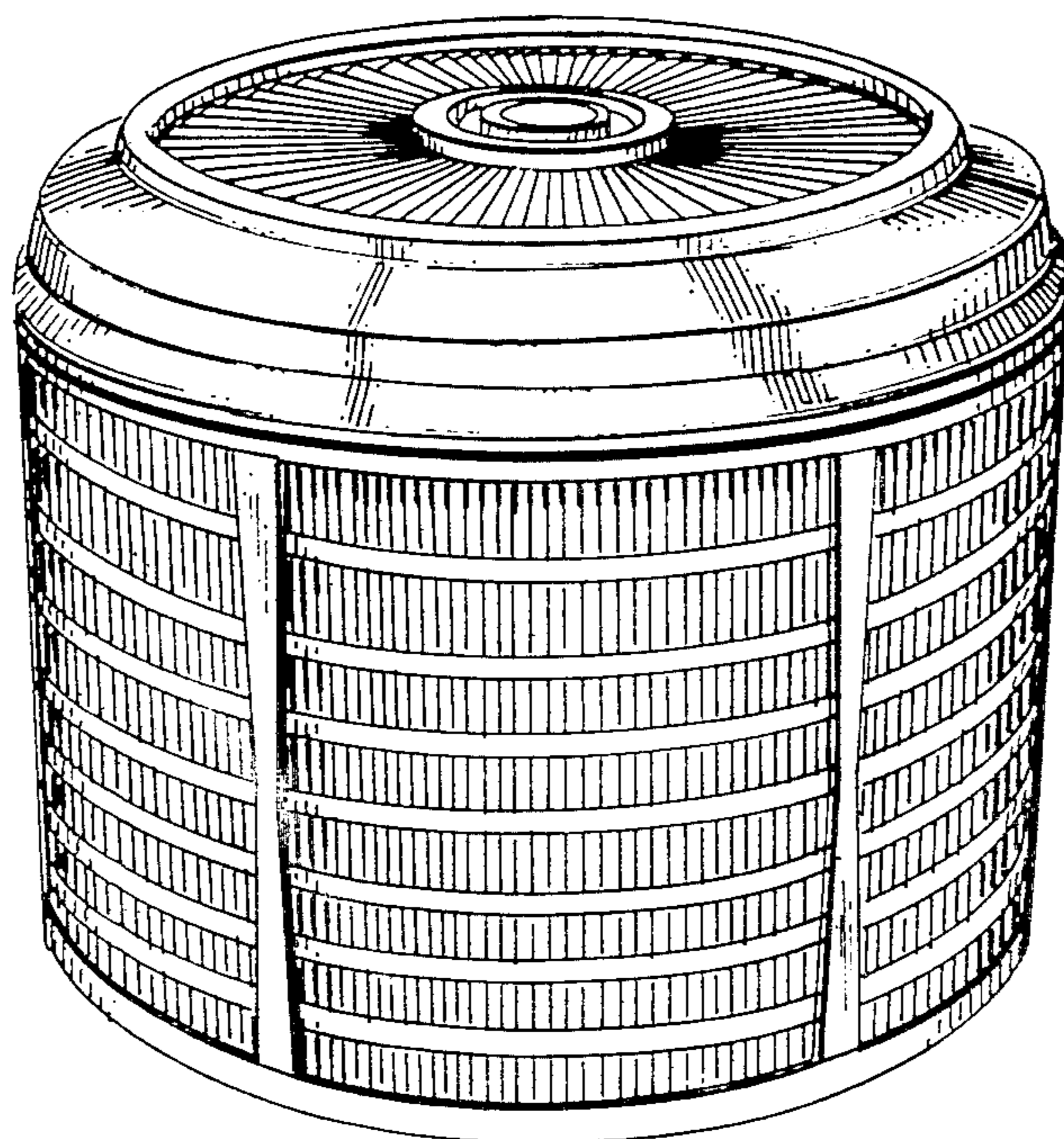


FIG. 1

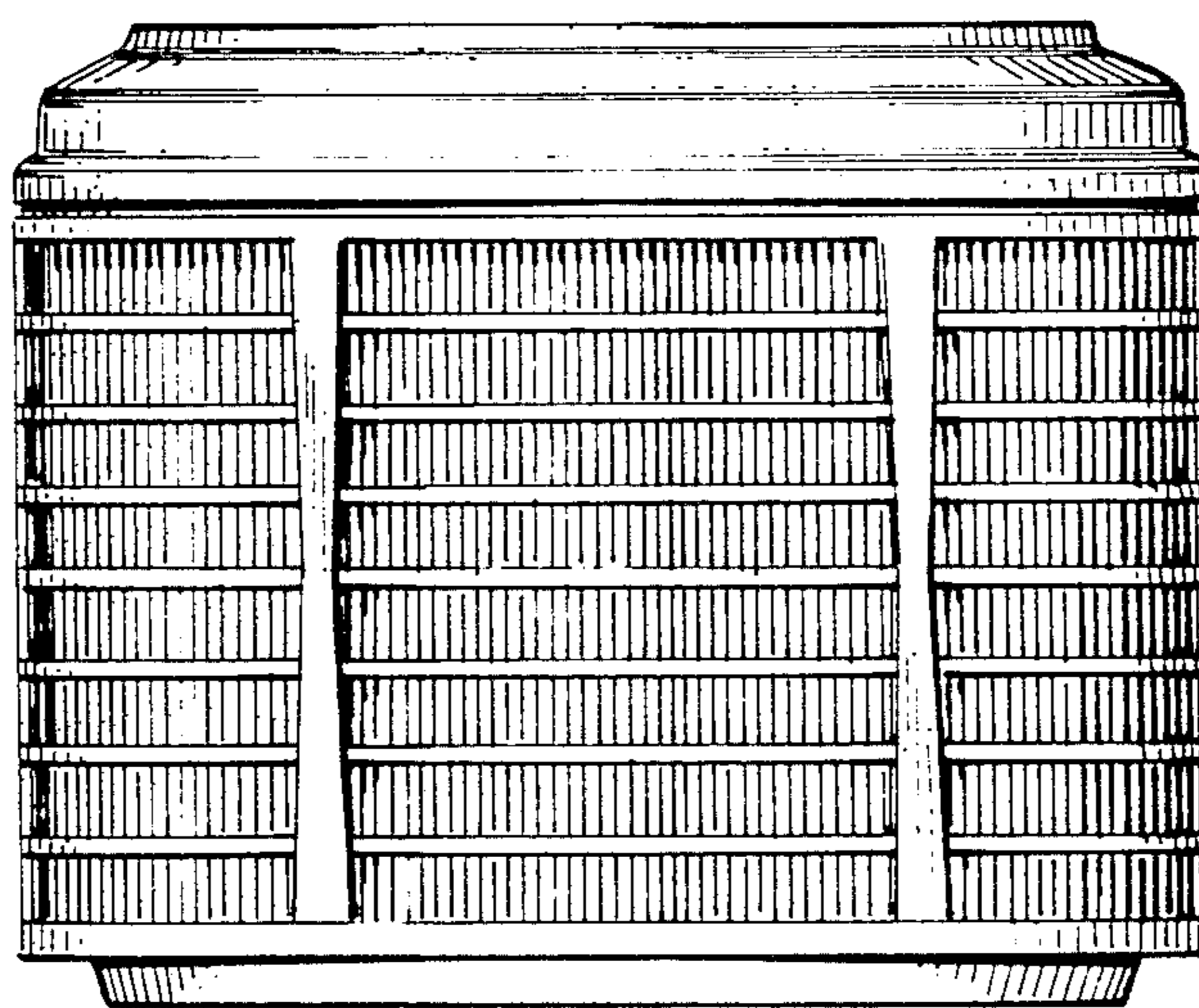


FIG. 2

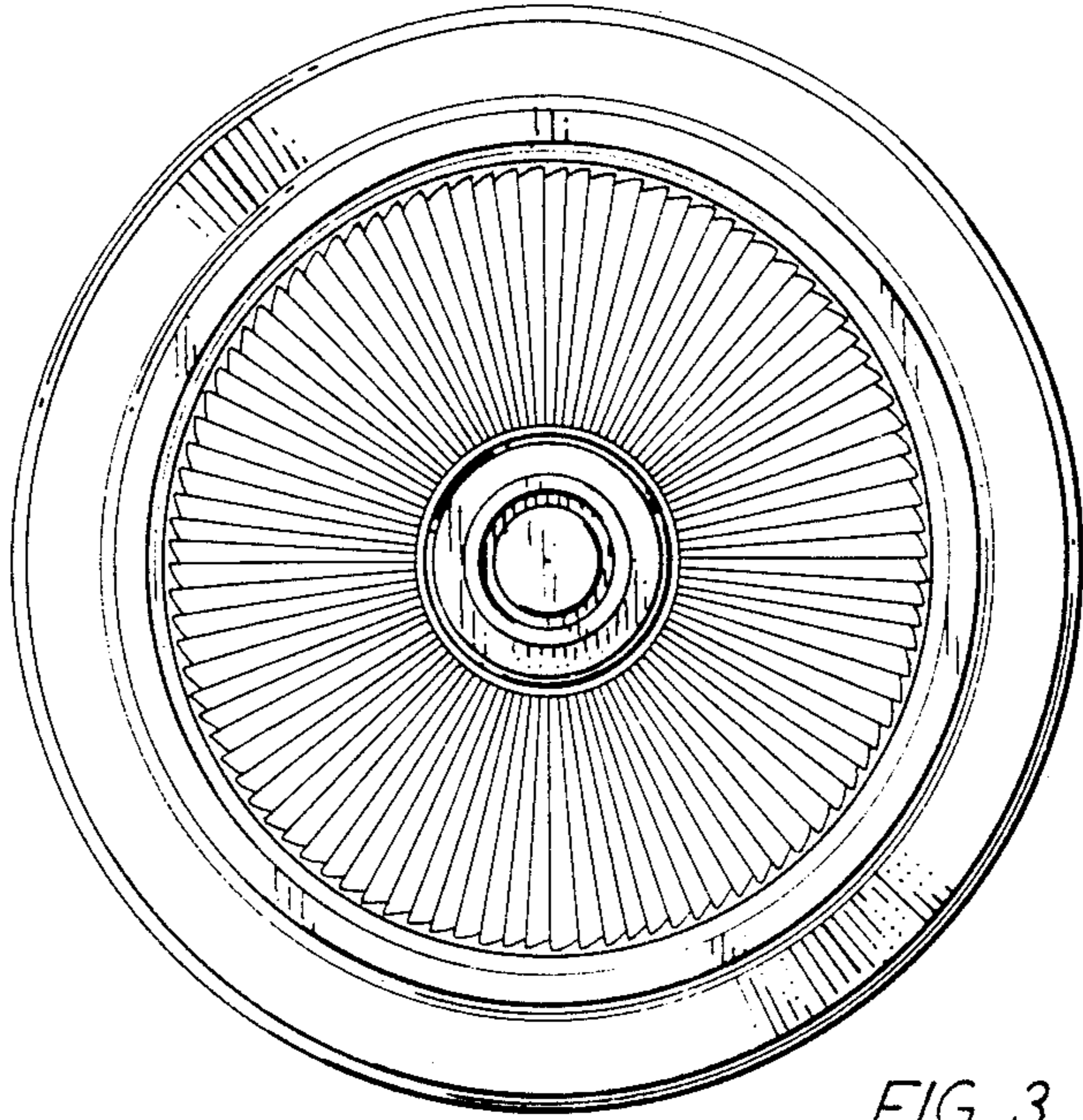


FIG. 3

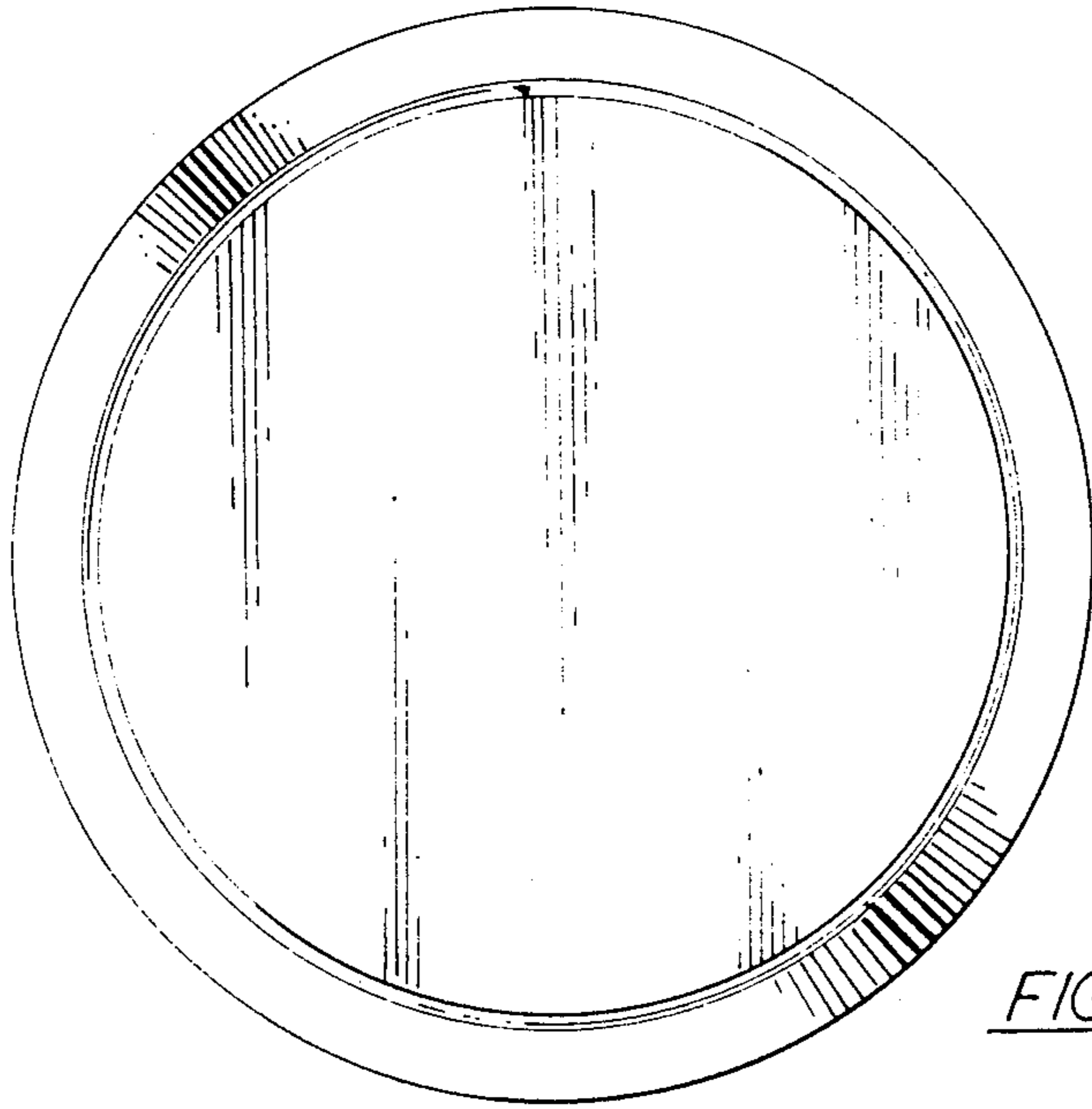


FIG. 4