

[54] ELECTRIC ROOM HEATER

[75] Inventor: Rocco L. Church, Auburn, N.Y.

[73] Assignee: Patco Energy, Inc., Auburn, N.Y.

[**] Term: 14 Years

[21] Appl. No.: 385,837

[22] Filed: Jun. 7, 1982

[52] U.S. Cl. D23/119; D23/120

[58] Field of Search D23/92, 120, 121, 122, D23/123, 124; 219/342, 366, 367, 370

[56] References Cited

U.S. PATENT DOCUMENTS

D. 74,996	4/1928	Wolcott	D23/121
D. 96,952	9/1935	Adams et al.	D23/121
D. 100,376	7/1936	Jones et al.	D23/120
D. 108,753	3/1938	Schneider	D23/120

D. 129,938	10/1941	Kessler	D23/121
D. 143,684	1/1946	Van Fleet	D23/120
D. 176,390	12/1955	Theisen	D23/121
D. 267,970	2/1983	Gronwick	D23/120

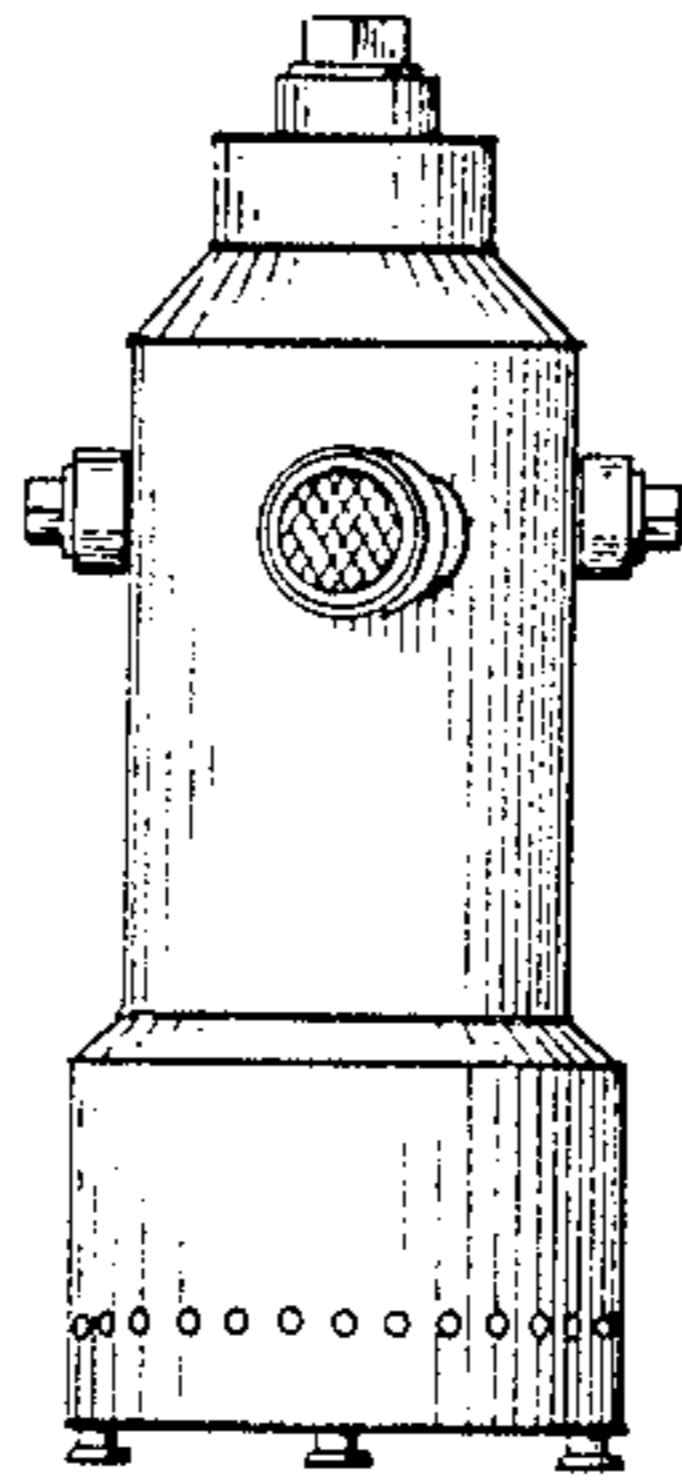
Primary Examiner—Catherine E. Kemper
Attorney, Agent, or Firm—Bruns & Wall

[57] CLAIM

The ornamental design for an electric room heater, as shown and described.

DESCRIPTION

FIG. 1 is a front elevational view of an electric room heater, showing my new design;
FIG. 2 is a left side elevational view thereof;
FIG. 3 is a right side elevational view thereof;
FIG. 4 is a rear elevational view thereof;
FIG. 5 is a top plan view thereof; and
FIG. 6 is a bottom plan view thereof.



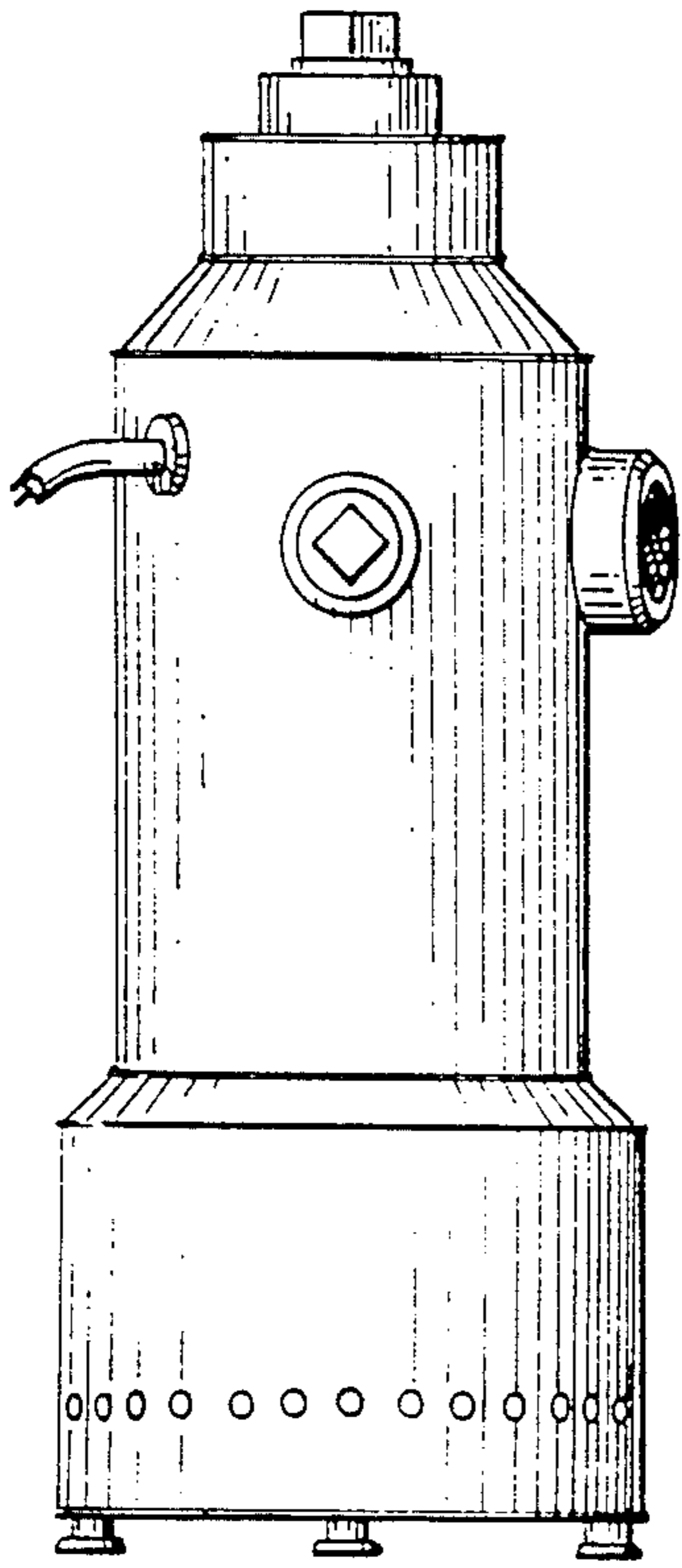


FIG. 2

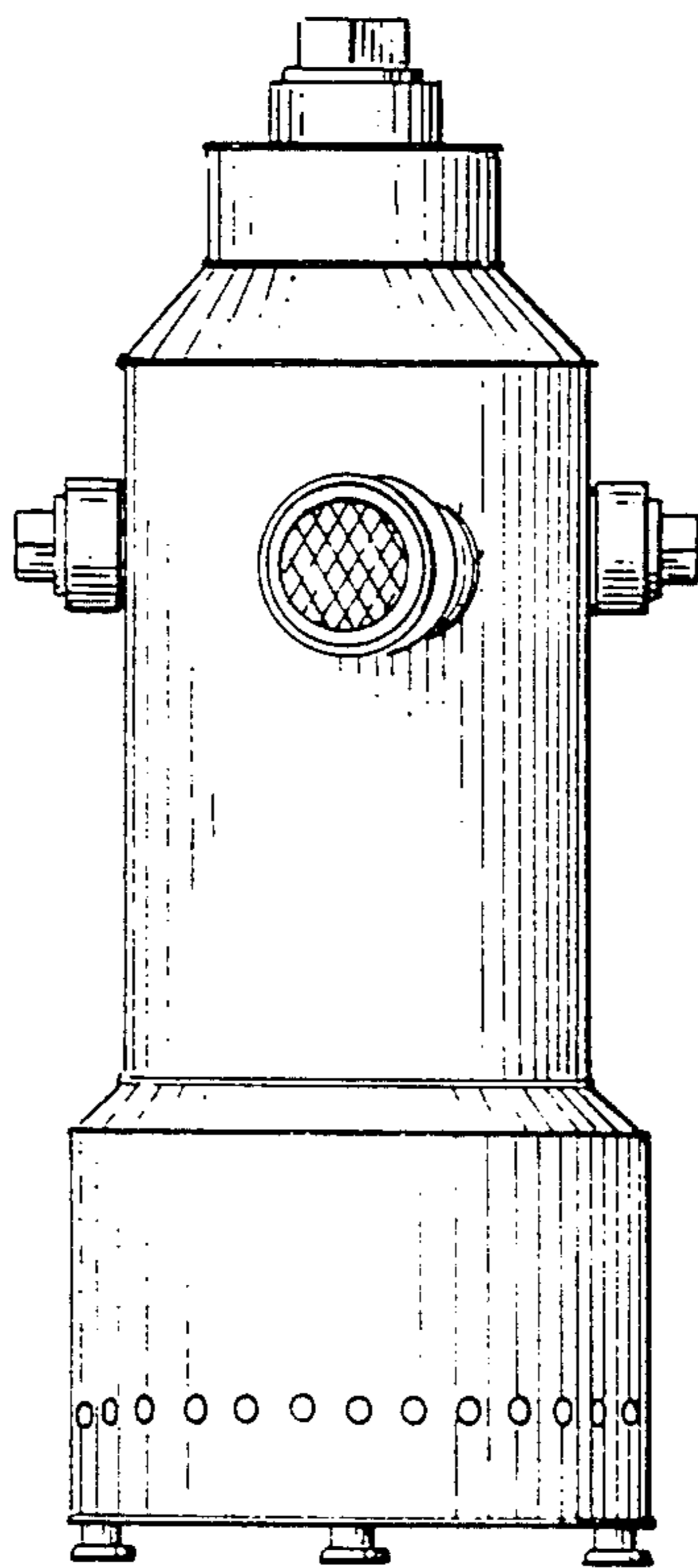


FIG. 1

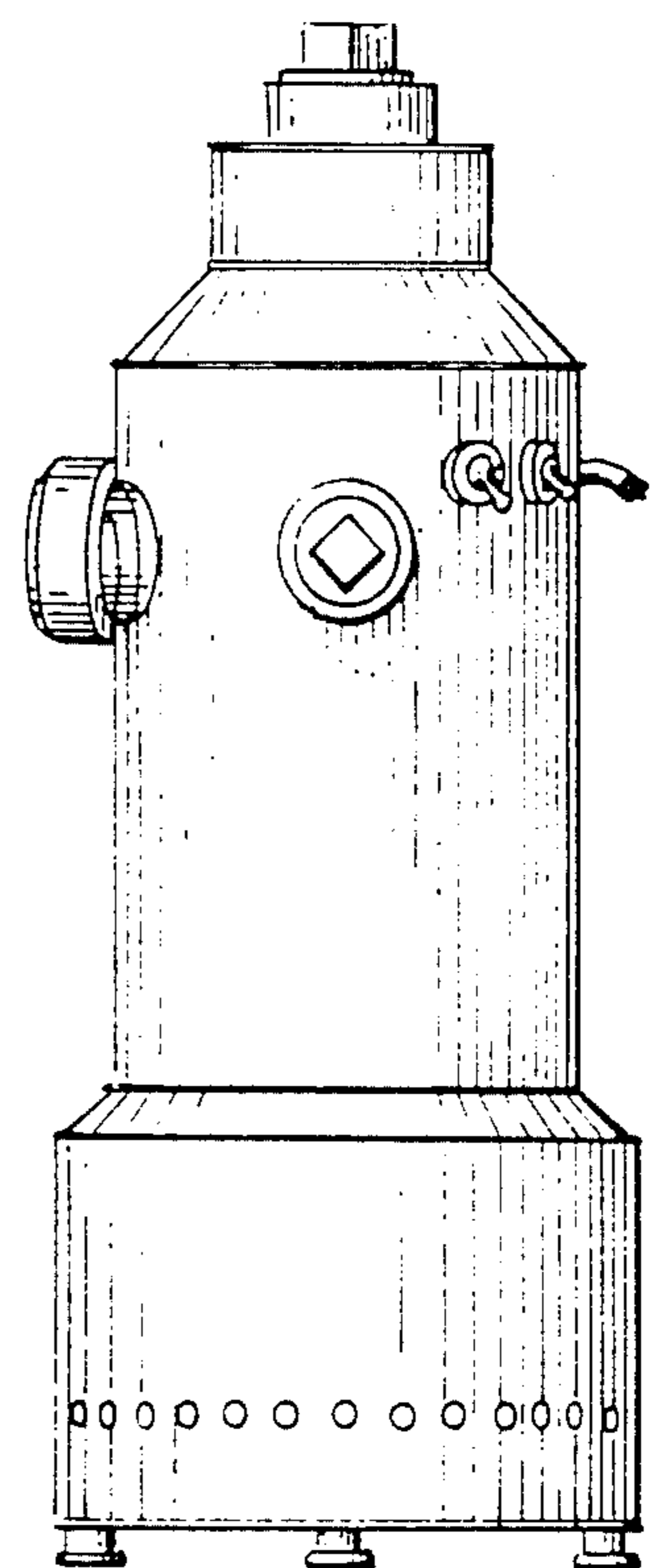


FIG. 3

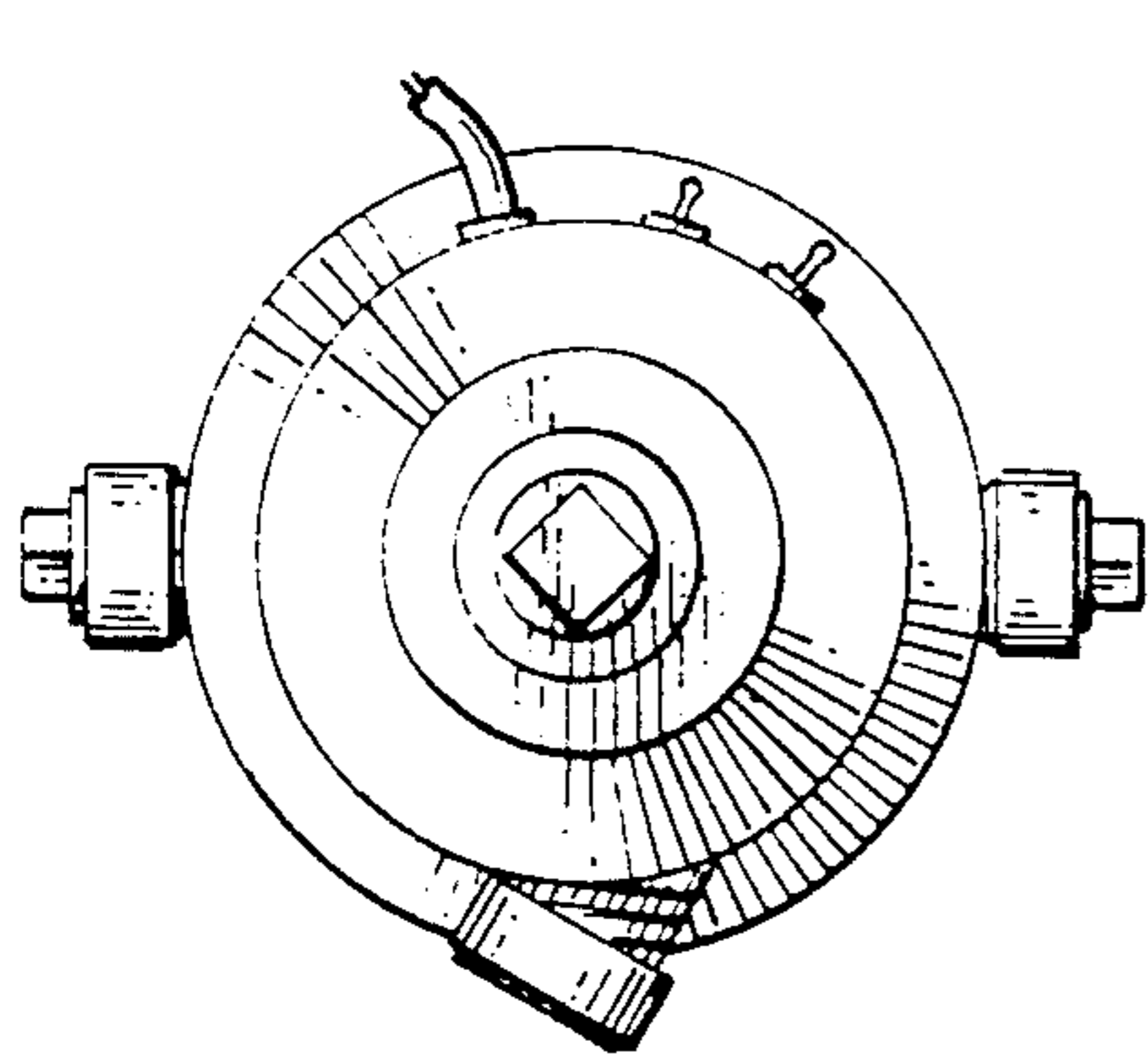


FIG. 5

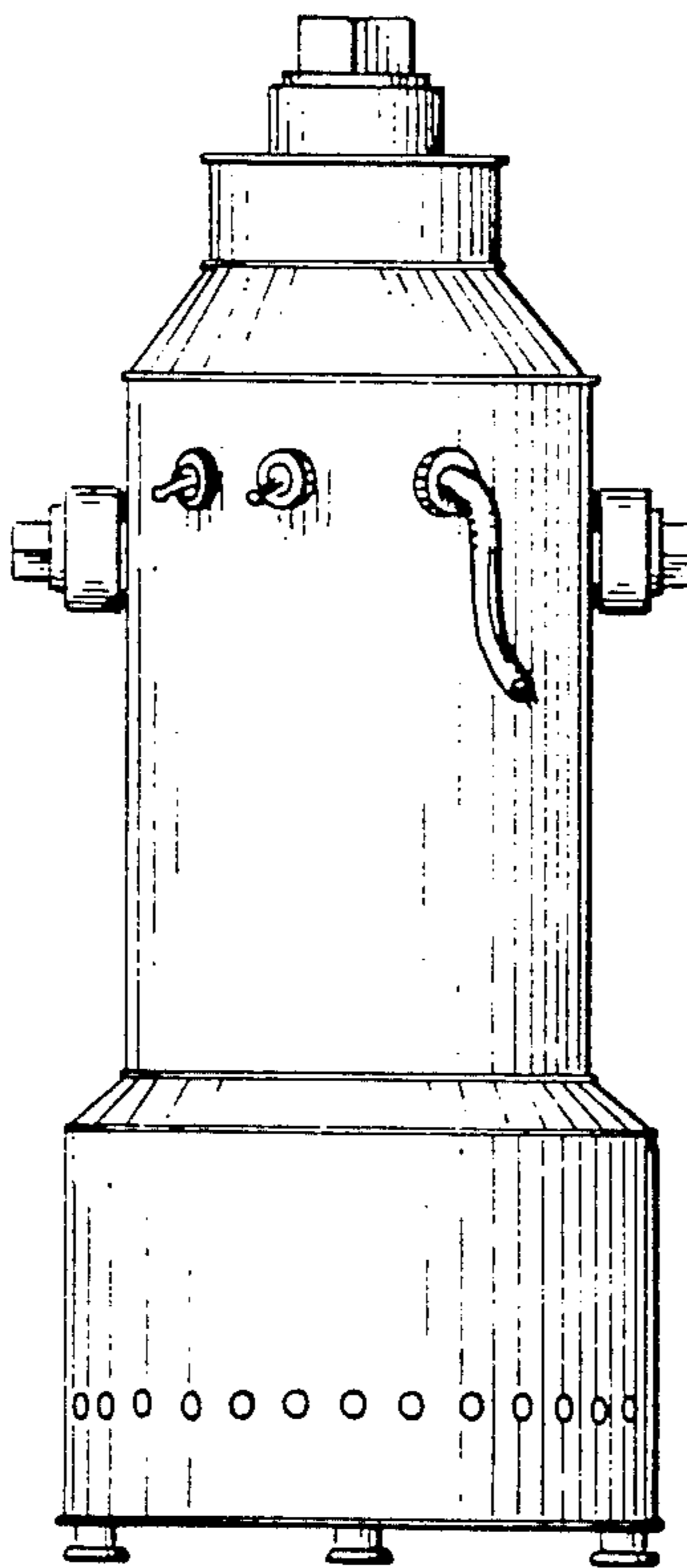


FIG. 4

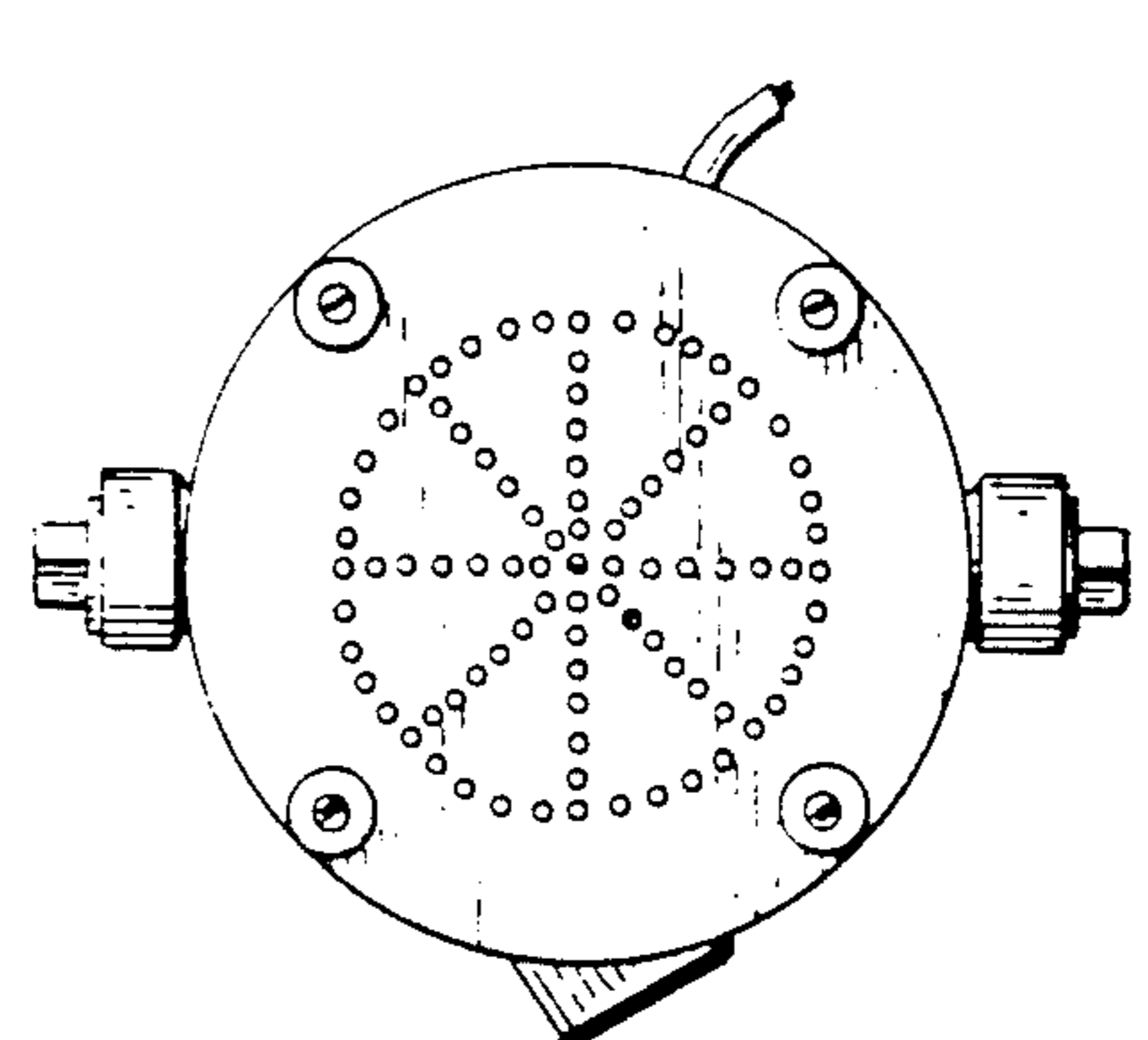


FIG. 6