

[54] EQUALIZING VALVE MANIFOLD

[76] Inventor: Robert W. Evans, 12345 Southeast Greiner La., Portland, Oreg. 97236

[\*\*] Term: 14 Years

[21] Appl. No.: 416,883

[22] Filed: Sep. 13, 1982

[52] U.S. Cl. .... D23/21

[58] Field of Search ..... D23/19, 20, 21, 22; 137/98, 102, 269, 556, 561, 608, 610

[56] References Cited

U.S. PATENT DOCUMENTS

- D. 27,244 6/1897 Ford ..... D23/22
- D. 215,052 8/1969 Evans ..... D23/21

D. 236,724 9/1975 Scheffler, Jr. .... D23/40

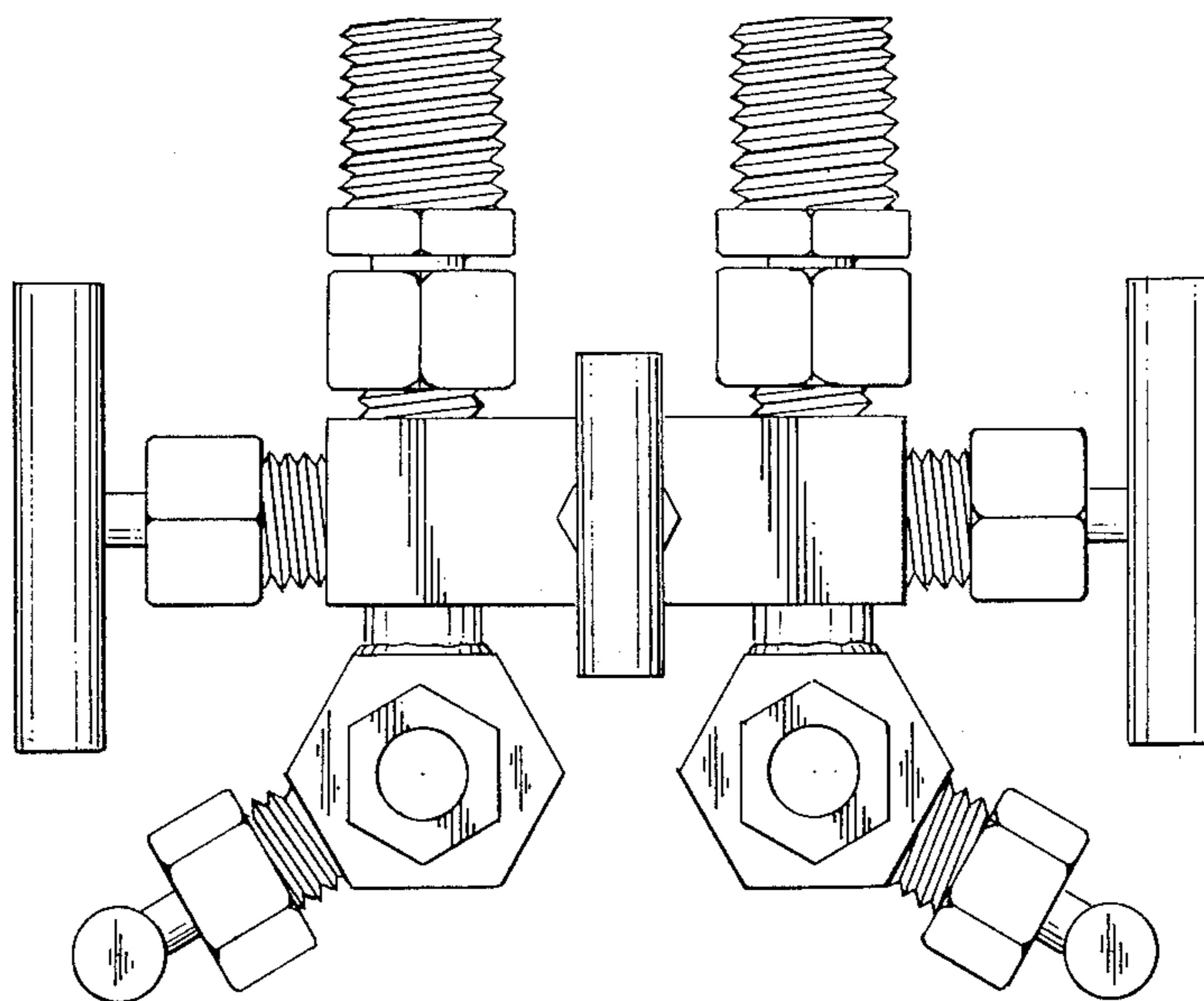
Primary Examiner—A. Hugo Word  
Assistant Examiner—Lynn Wilder  
Attorney, Agent, or Firm—James D. Givnan, Jr.

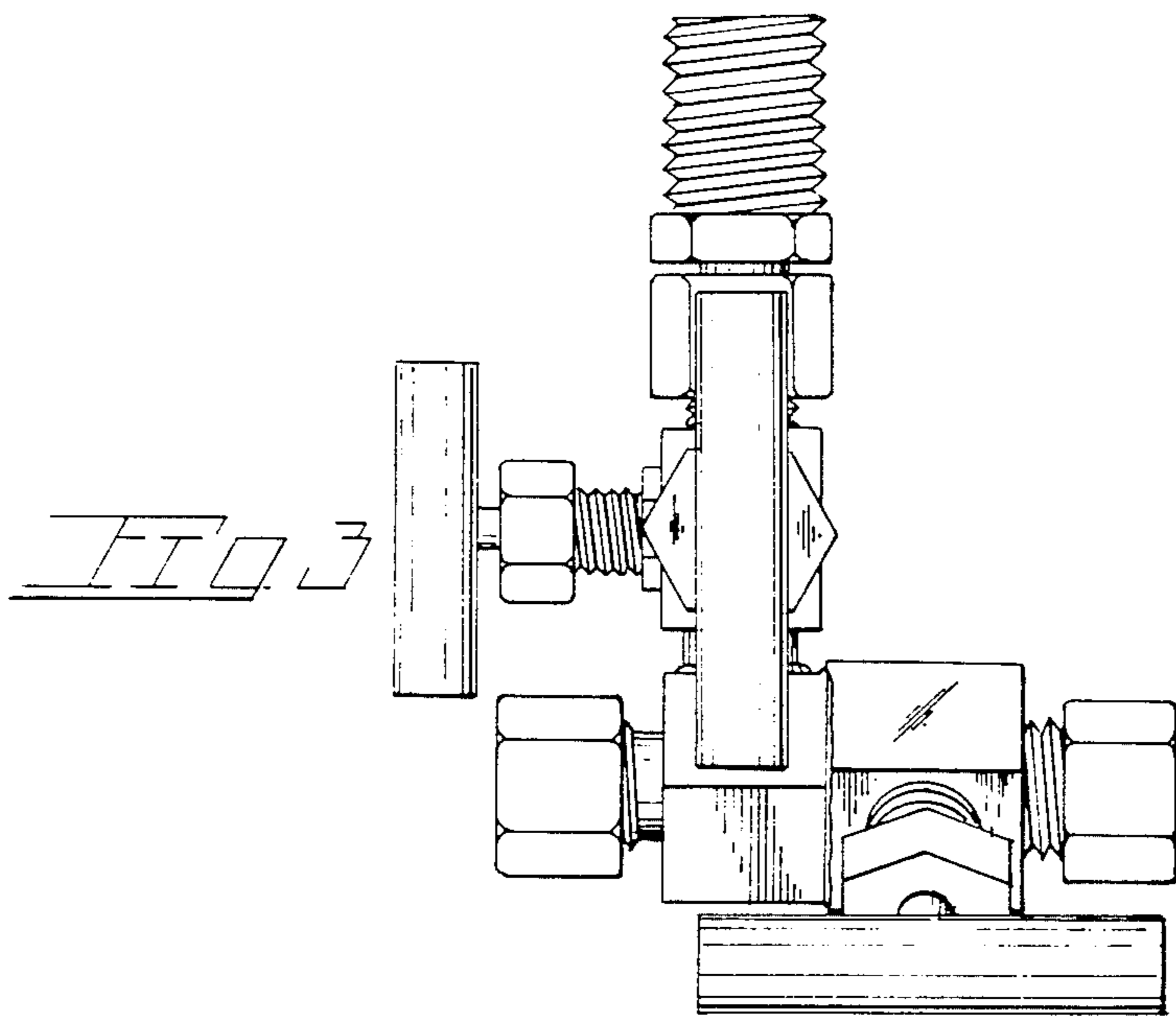
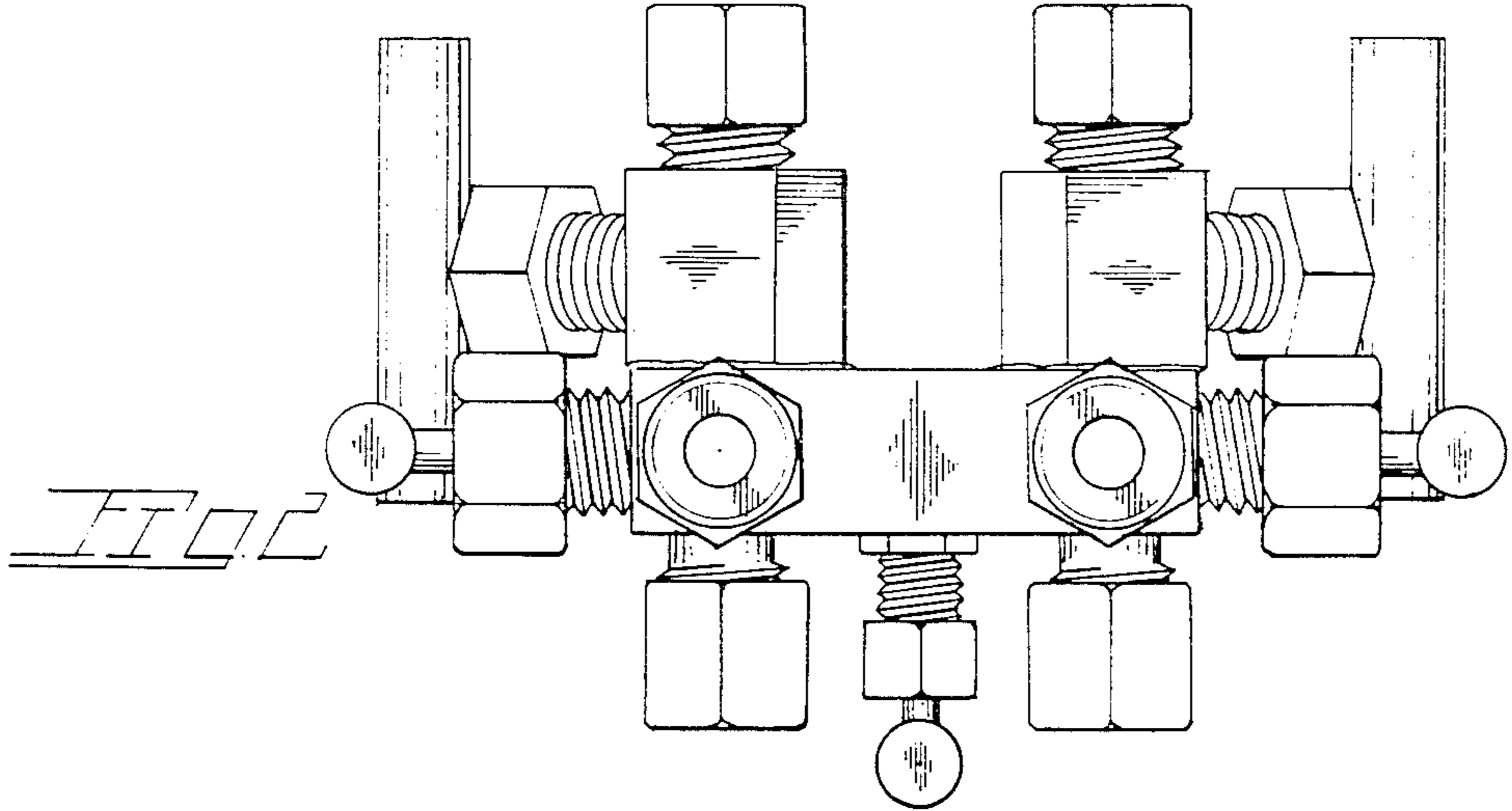
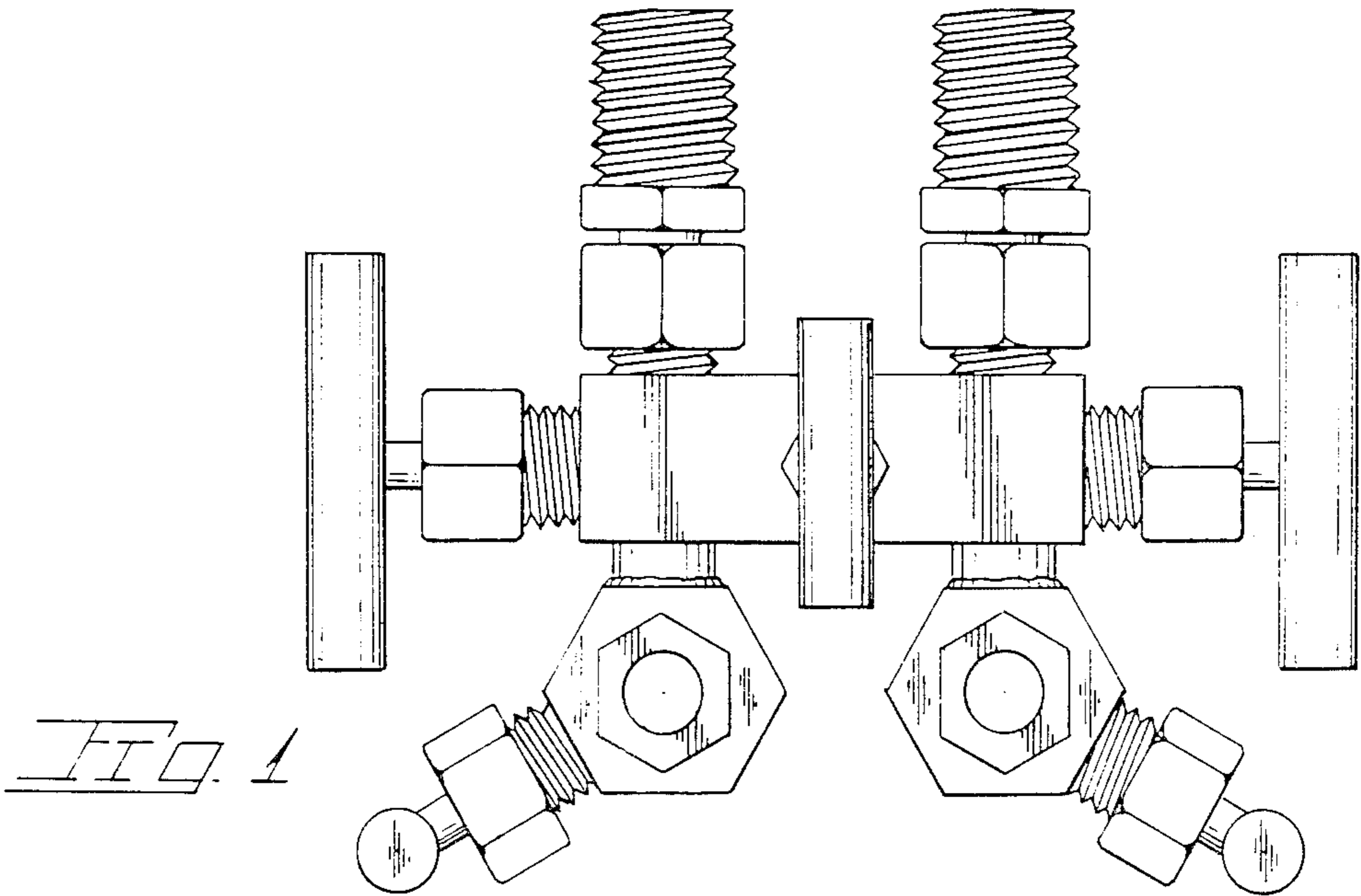
[57] CLAIM

The ornamental design for an equalizing valve manifold, as shown.

DESCRIPTION

FIG. 1 is a front elevational view of an equalizing valve manifold showing my new design; FIG. 2 is a top plan view thereof; FIG. 3 is a side elevational view taken from the right side of FIG. 1; and FIG. 4 is a rear elevational view of FIG. 1.





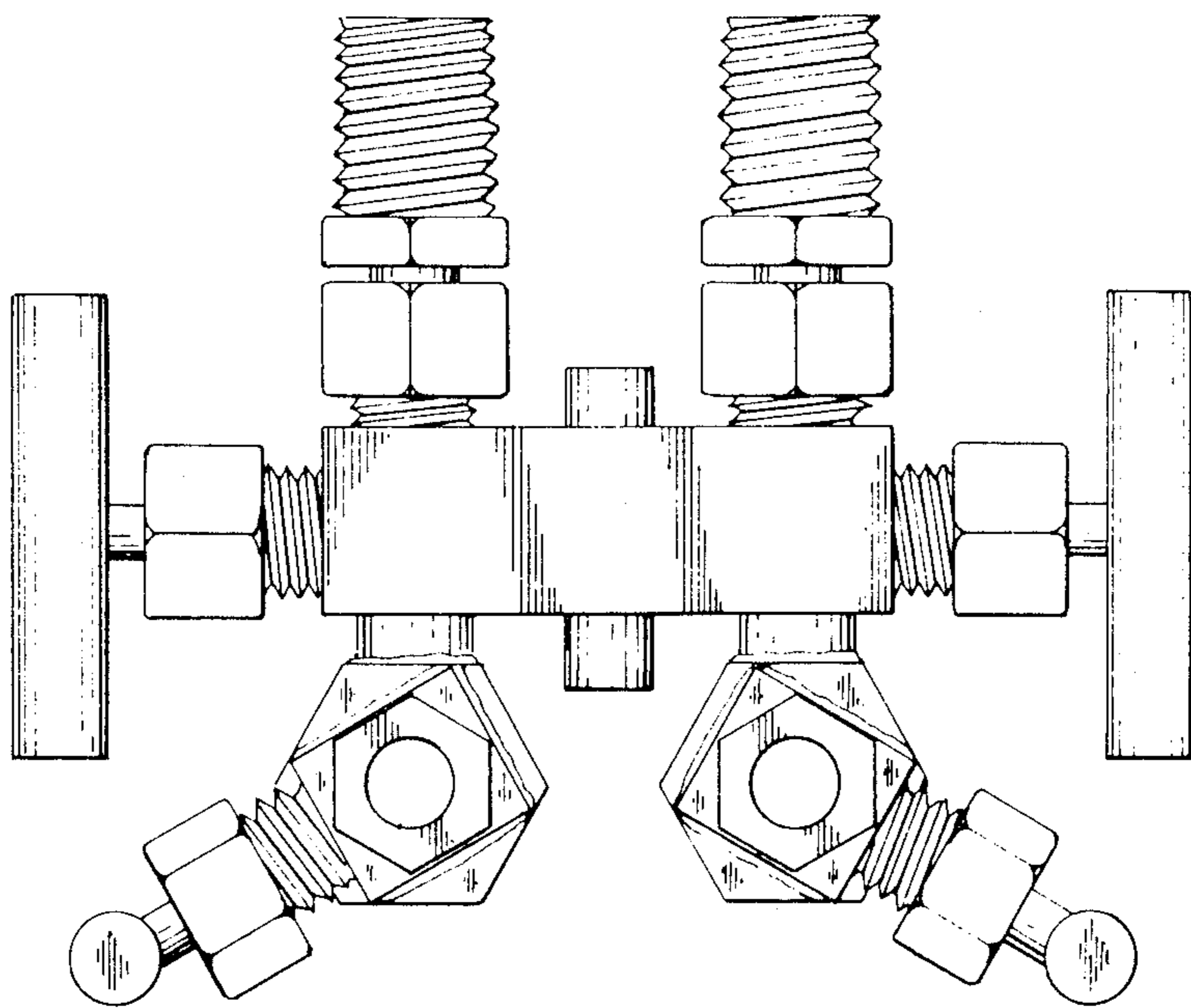


FIG. 4