

[54] TOY CONSTRUCTION PIECE

[75] Inventor: Nils A. I. Petersson, Killeberg, Sweden

[73] Assignee: Brio Toy AB, Osby, Sweden

[**] Term: 14 Years

[21] Appl. No.: 398,937

[22] Filed: Jul. 16, 1982

[30] Foreign Application Priority Data

Jan. 26, 1982 [DE] Fed. Rep. of Germany URA 69/82

[52] U.S. Cl. D21/108

[58] Field of Search D21/108, 125; 46/16, 46/17, 22, 23, 24, 24, 26, 27, 28, 31; D8/243, 249, 282, 283, 285

[56] References Cited

U.S. PATENT DOCUMENTS

D. 219,462	12/1970	Correia	D21/108
D. 244,556	5/1977	Burgess et al.	D21/108
D. 263,324	3/1982	Orenstein	D21/108
3,126,505	3/1964	Shockley	D21/108
4,144,669	3/1979	Ogawa	46/17

Primary Examiner—Charles A. Rademaker
Attorney, Agent, or Firm—Barnes, Kisselle, Raisch, Choate, Whittemore & Hulbert

[57] CLAIM

The ornamental design for a toy construction piece, as shown.

DESCRIPTION

FIG. 1 is a perspective view of a toy construction piece showing my new design; and, FIG. 2 is a perspective view of the side opposite thereof.

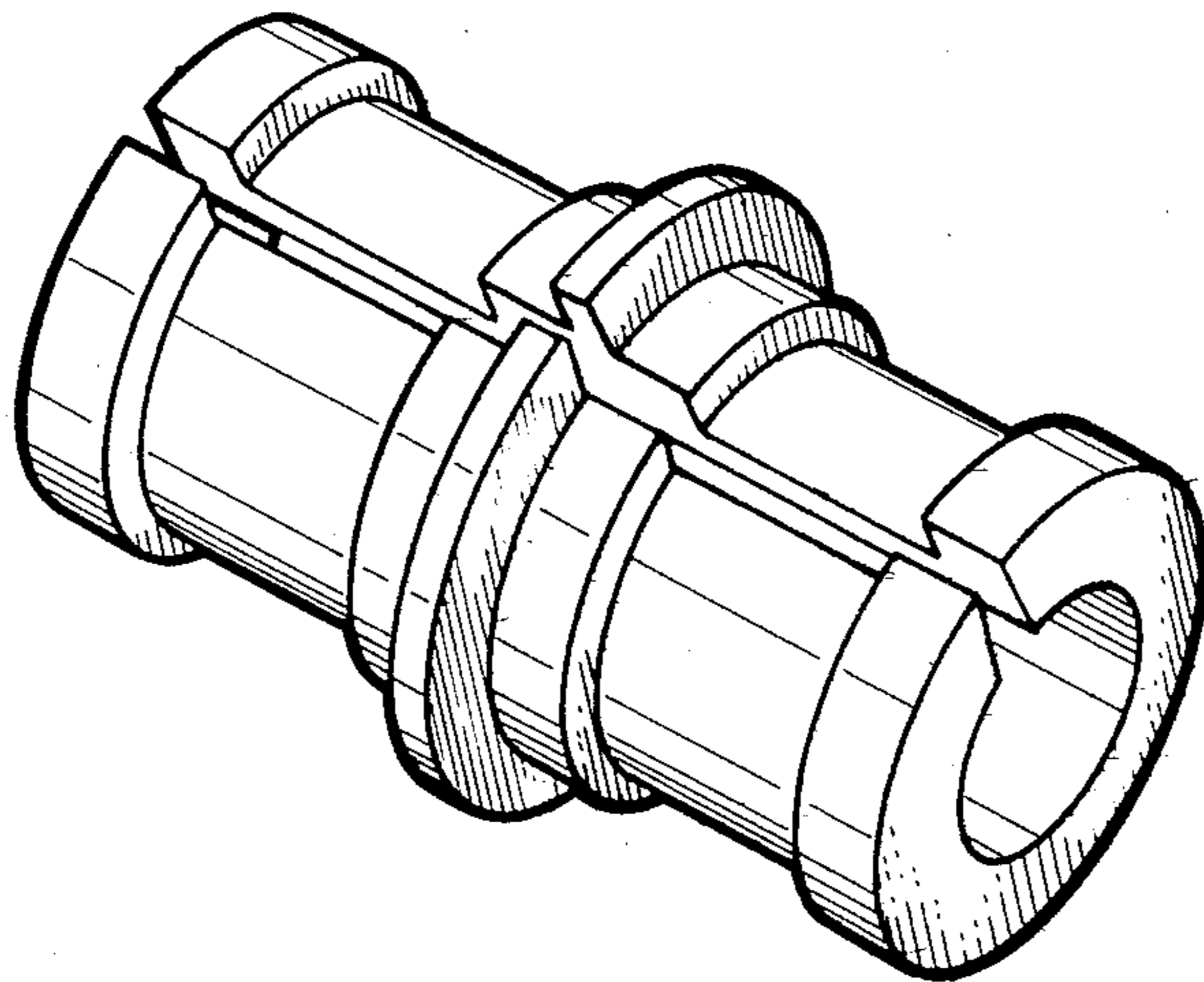


Fig.1

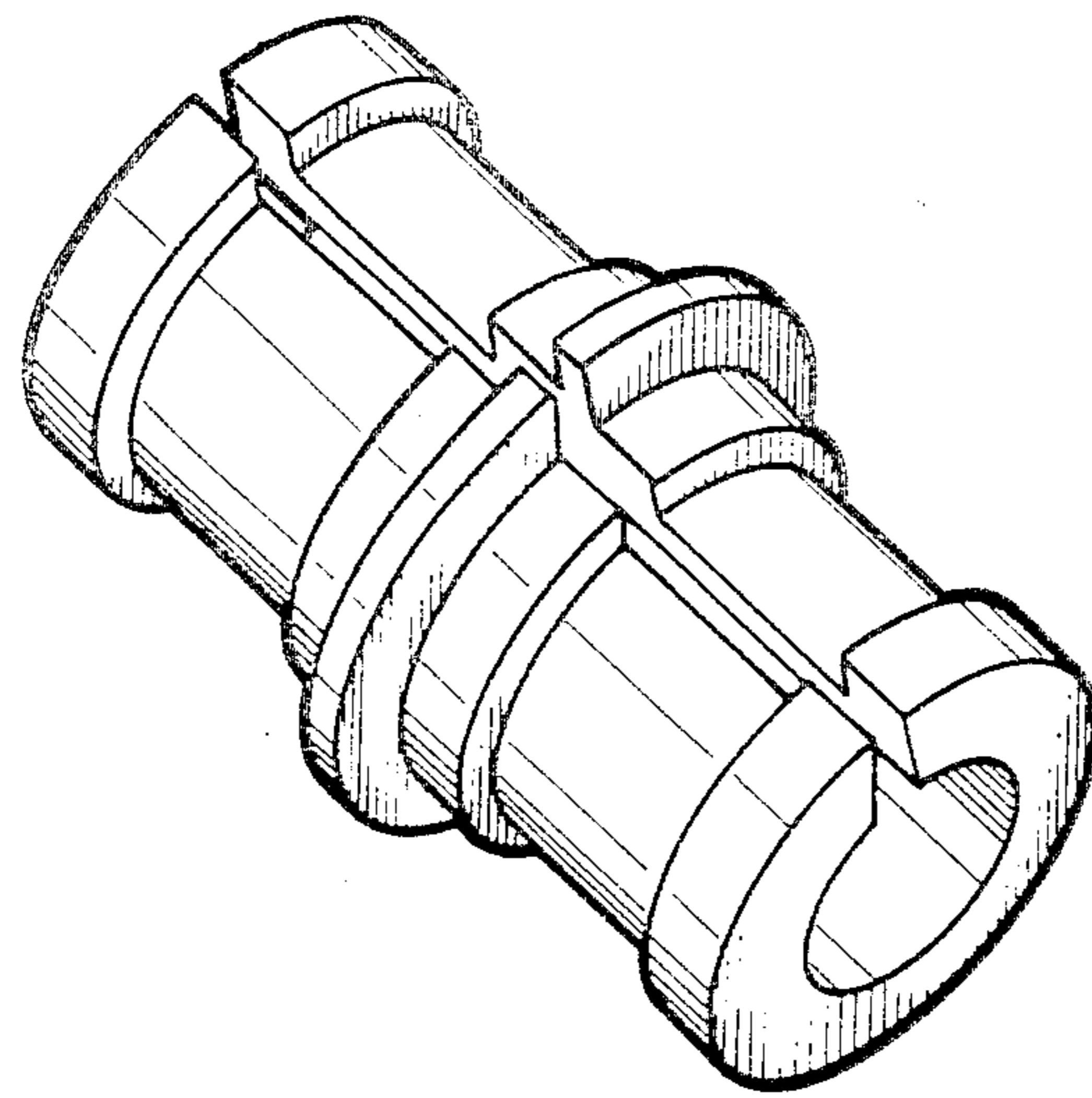


Fig.2

