

[54] AERIAL TOY

[76] Inventor: Eugene S. Bernatek, 3635 Lakefield, San Antonio, Tex. 78230

[**] Term: 14 Years

[21] Appl. No.: 419,783

[22] Filed: Sep. 20, 1982

[52] U.S. Cl. D21/98

[58] Field of Search D21/82, 84, 85, 87, D21/88, 89, 90, 92, 93, 94, 98; 446/30, 31, 37, 40, 41, 45, 46; 244/153 R

[56] References Cited

U.S. PATENT DOCUMENTS

- 32,272 5/1861 Benton D21/98
- 421,290 2/1890 Knoepfel et al. 446/40

- 1,138,142 5/1915 Olmsted 446/40
- 1,260,957 3/1918 Benjamin 446/41
- 2,051,151 8/1936 Northrop 446/40
- 2,863,257 12/1958 Gribben D21/82

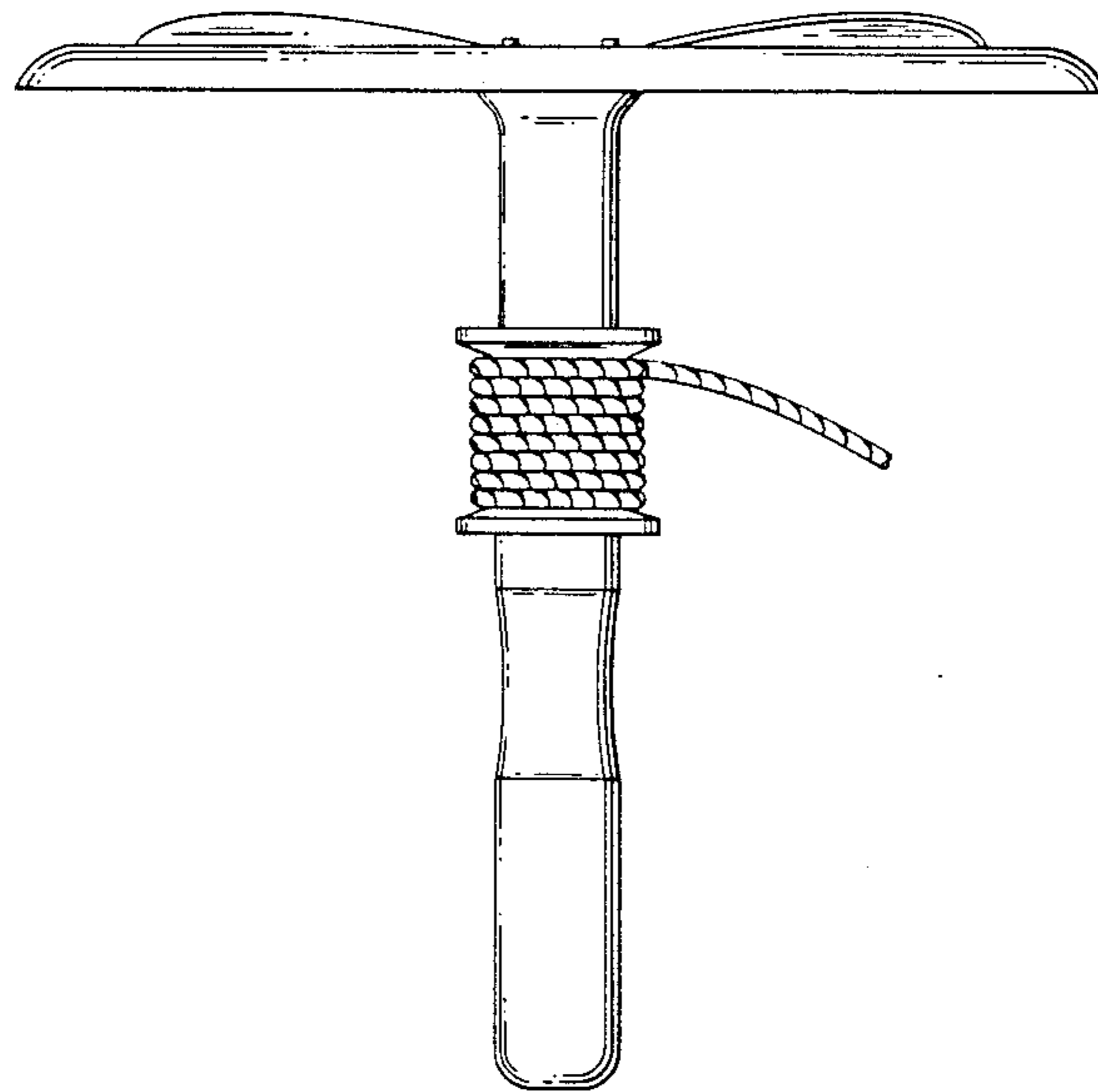
Primary Examiner—Charles A. Rademaker
Attorney, Agent, or Firm—John C. Stahl

[57] CLAIM

The ornamental design for an aerial toy, as shown and described.

DESCRIPTION

- FIG. 1 is a side elevational view of an aerial toy, showing my new design.
- FIG. 2 is a top plan view.
- FIG. 3 is a cross-sectional view taken along line 3—3 in FIG. 2; and
- FIG. 4 is a bottom plan view.



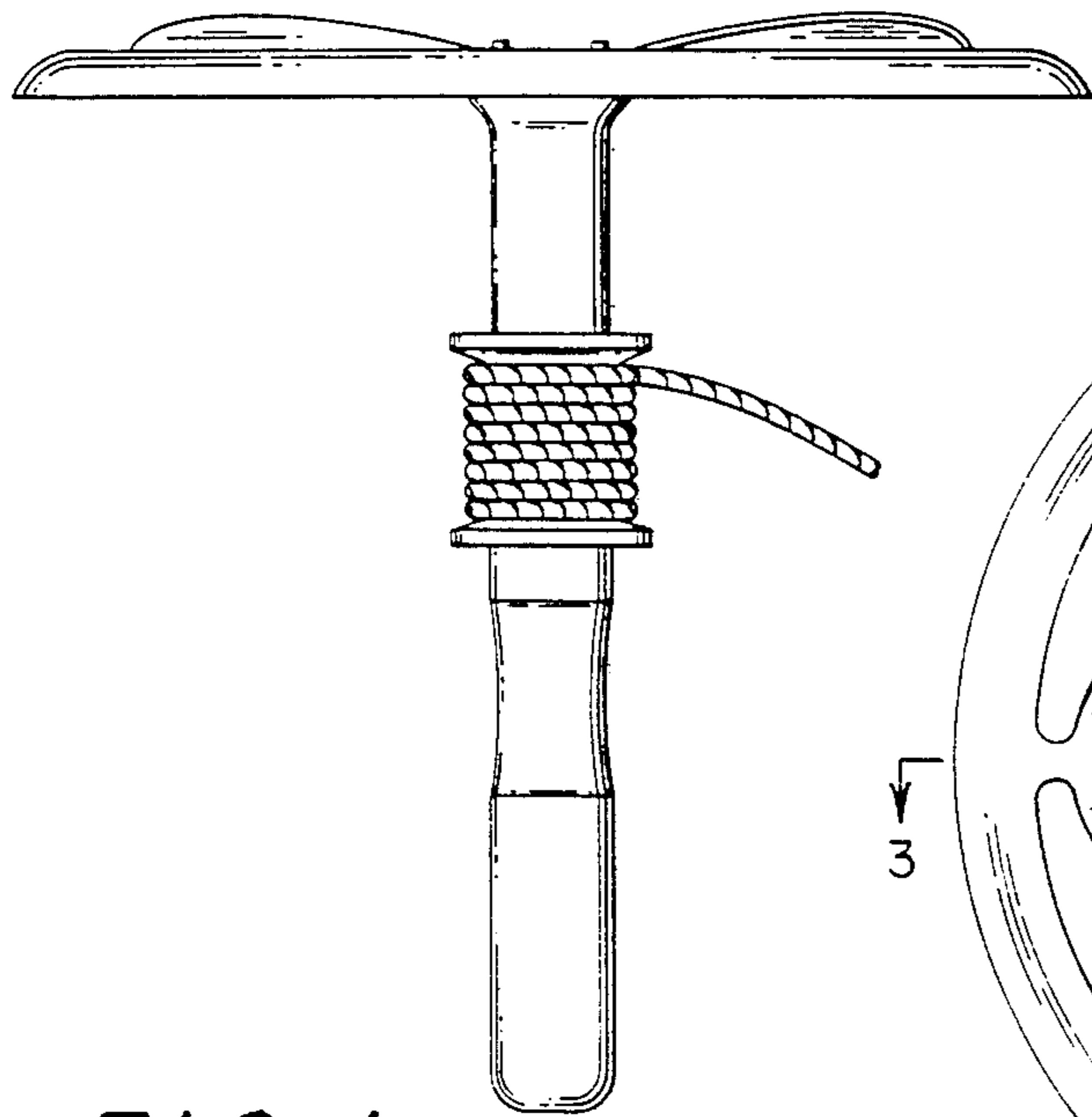


FIG. 1

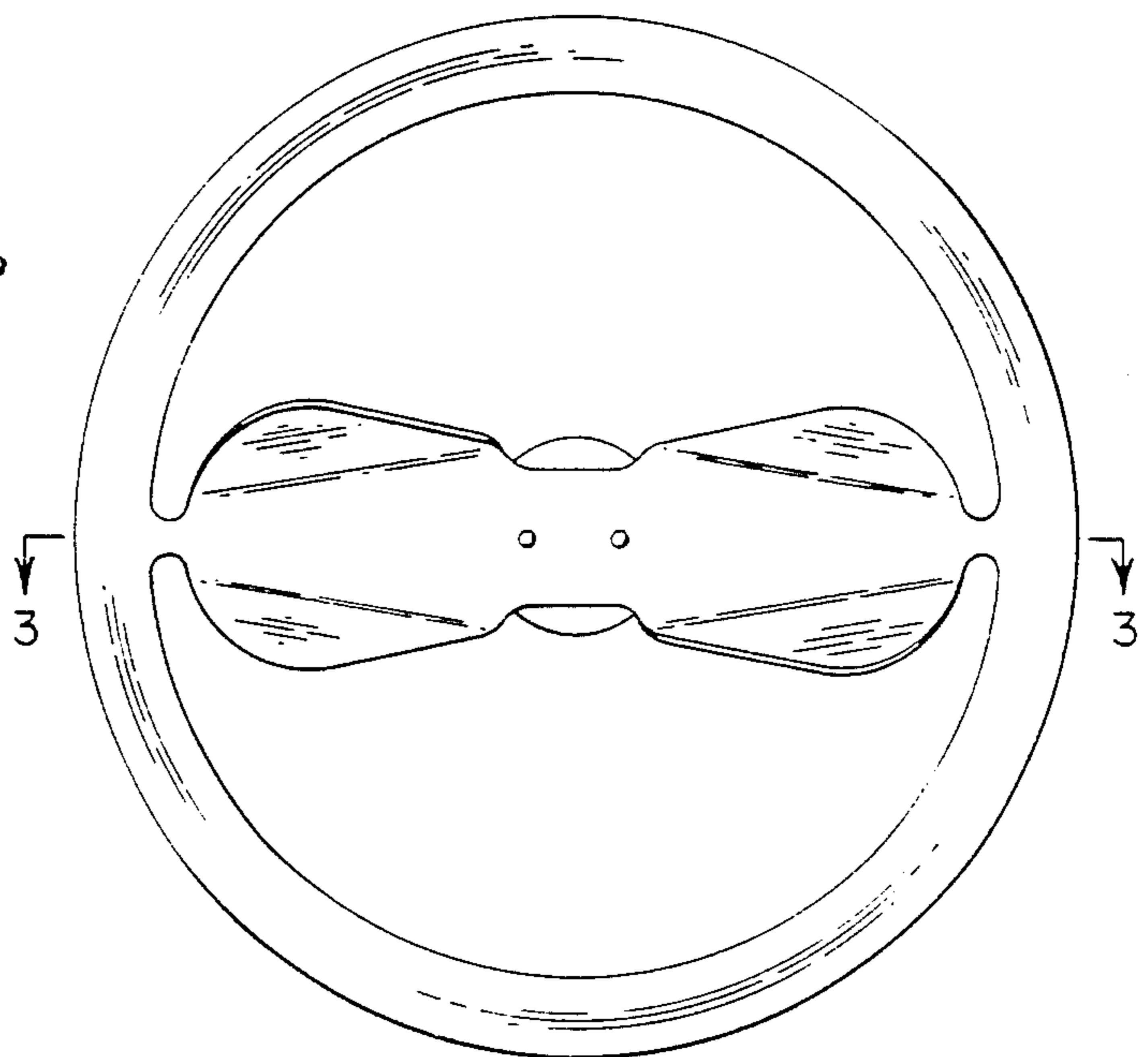


FIG. 2

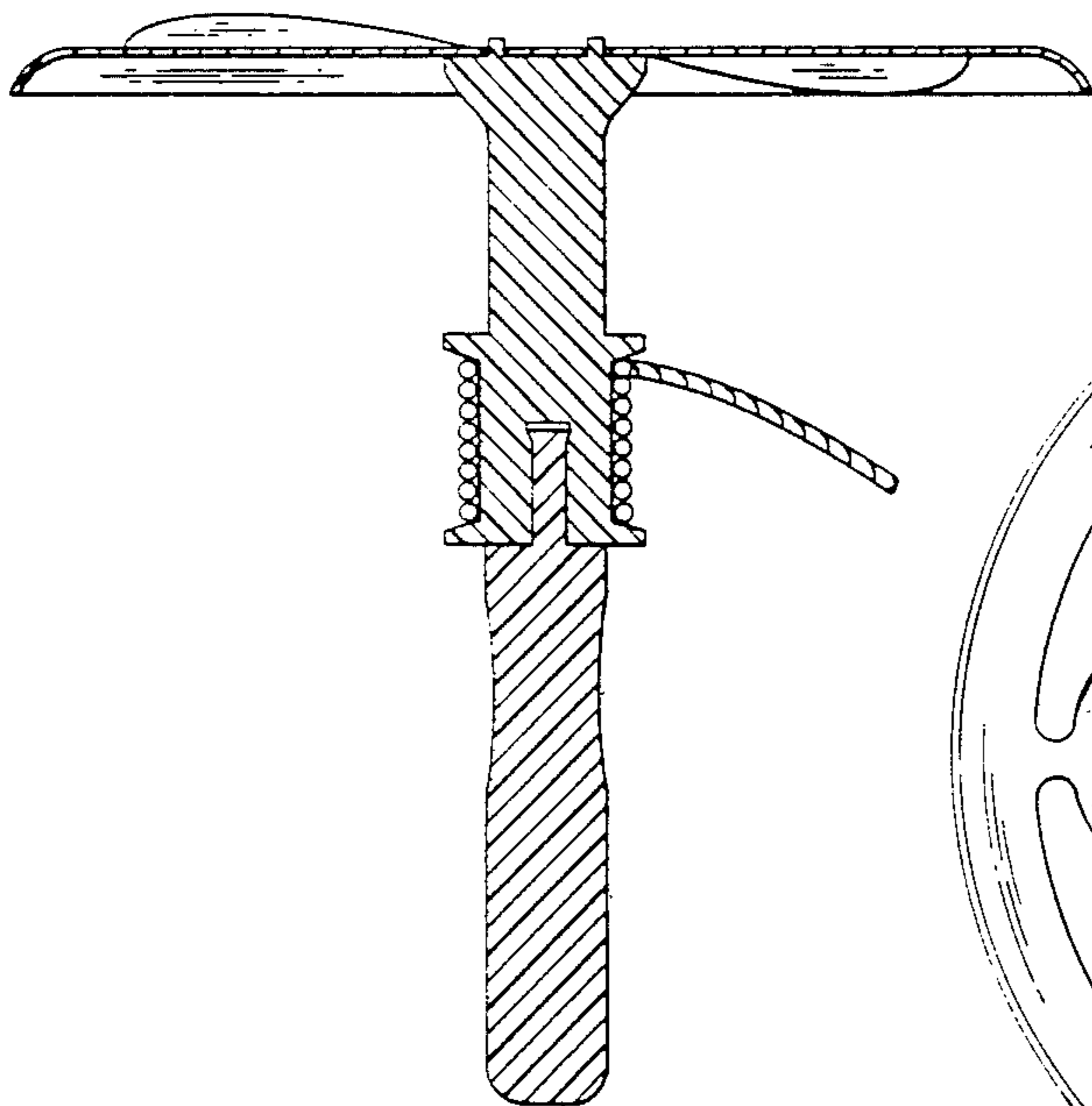


FIG. 3

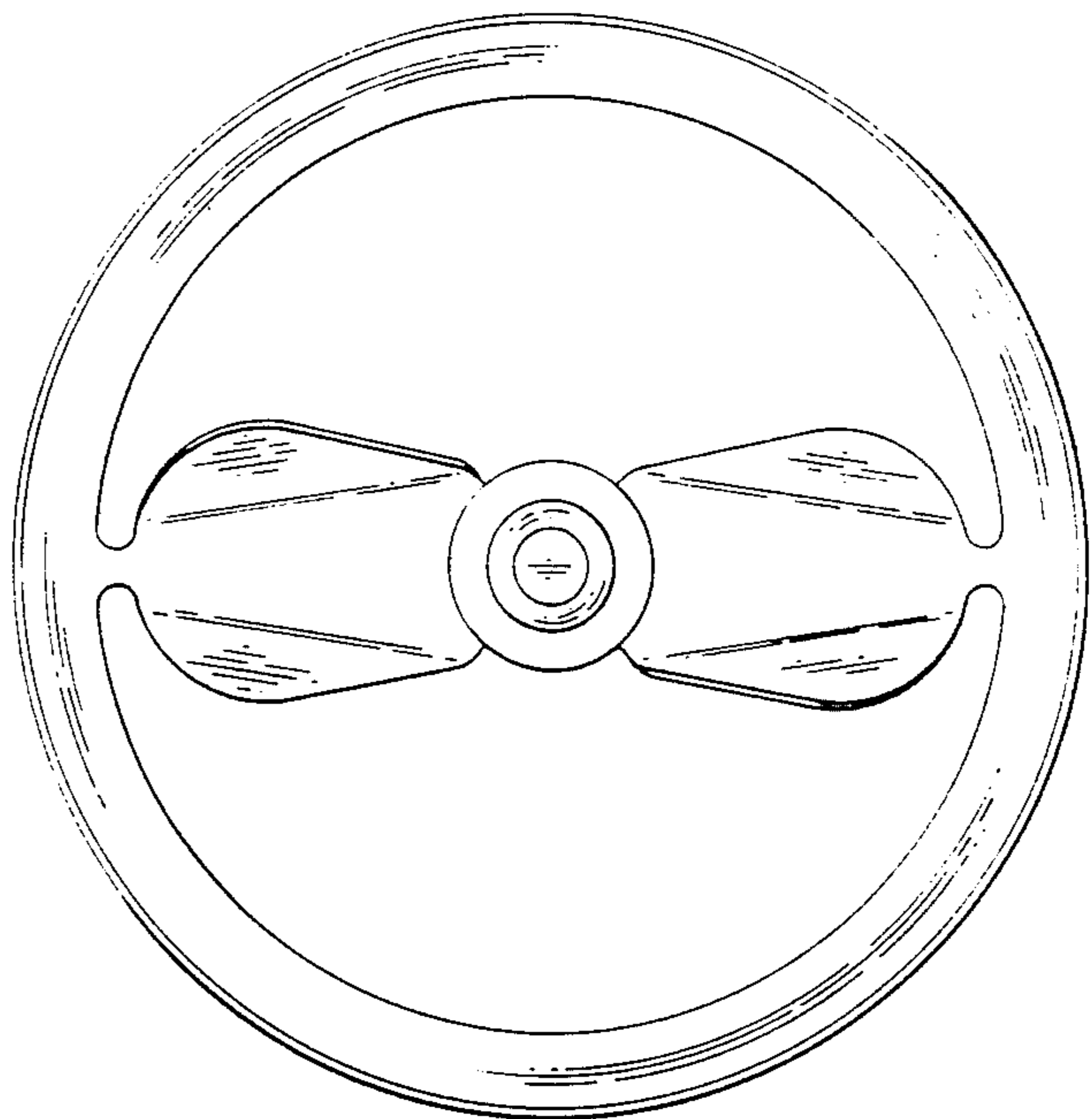


FIG. 4