

[54] SCOOTER

3,175,844 3/1965 Whitehouse D21/81

[75] Inventor: Mike Sampson, Coventry, England

[73] Assignee: F. Watson (Hardware) Limited,
London, England

[**] Term: 14 Years

[21] Appl. No.: 385,890

[22] Filed: Jun. 7, 1982

[52] U.S. Cl. D21/81

[58] Field of Search D21/81; 280/87.01

[56] References Cited

U.S. PATENT DOCUMENTS

- D. 176,725 1/1956 Laibow et al. D21/81
- D. 221,965 9/1971 La Jeunesse D21/81
- D. 226,938 5/1973 Levens et al. D31/81

OTHER PUBLICATIONS

Form 4-1982, p. 19, Scooter.

Primary Examiner—Charles A. Rademaker
Attorney, Agent, or Firm—Staas & Halsey

[57] CLAIM

The ornamental design for a scooter, substantially as shown and described.

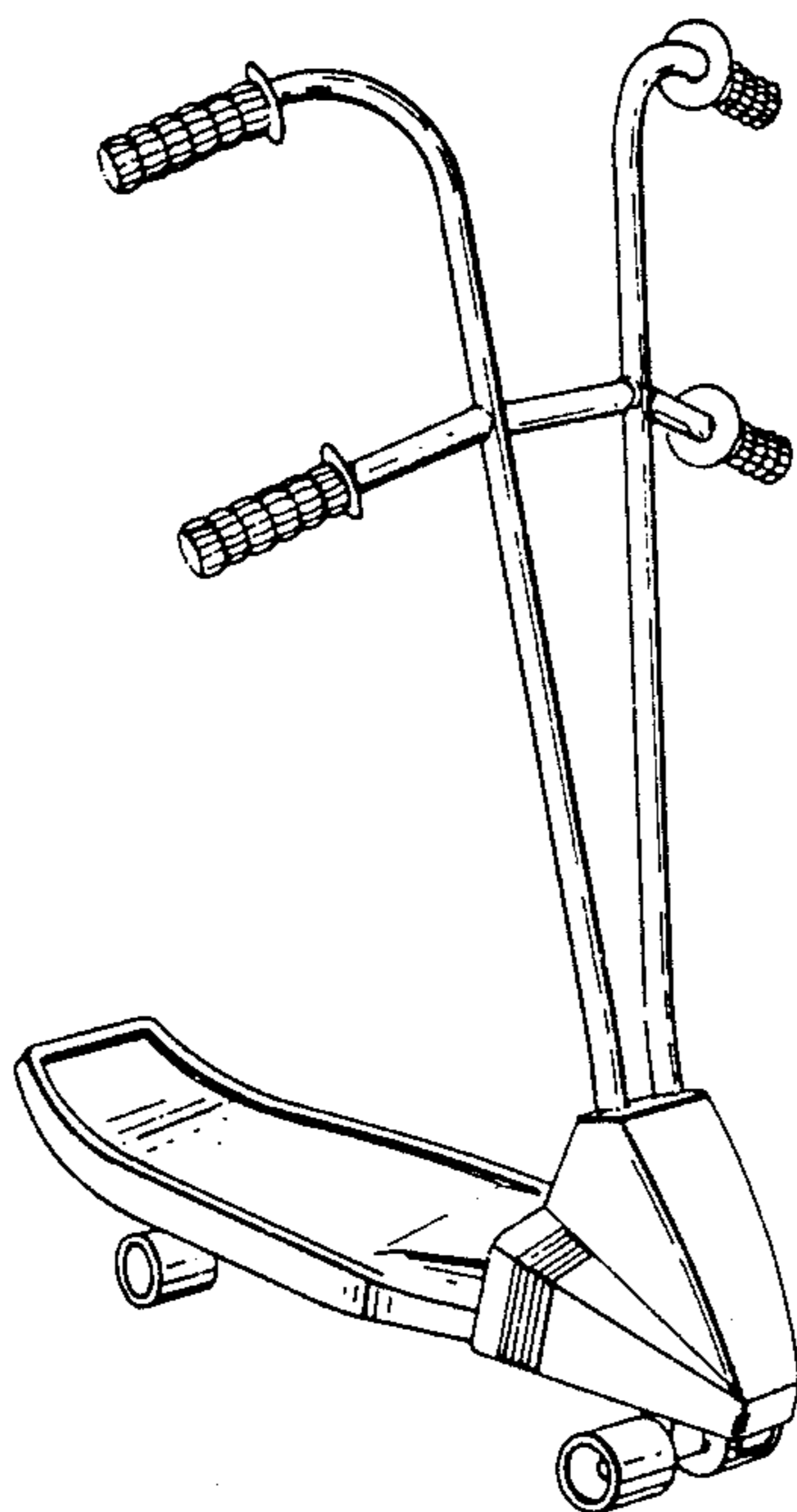
DESCRIPTION

FIG. 1 is a front perspective view of a scooter showing my new design;

FIG. 2 is a top perspective view thereof; and

FIG. 3 is a side perspective view thereof, the side opposite being substantially a mirror image.

The unshown bottom of the design is substantially plain and unornamented.



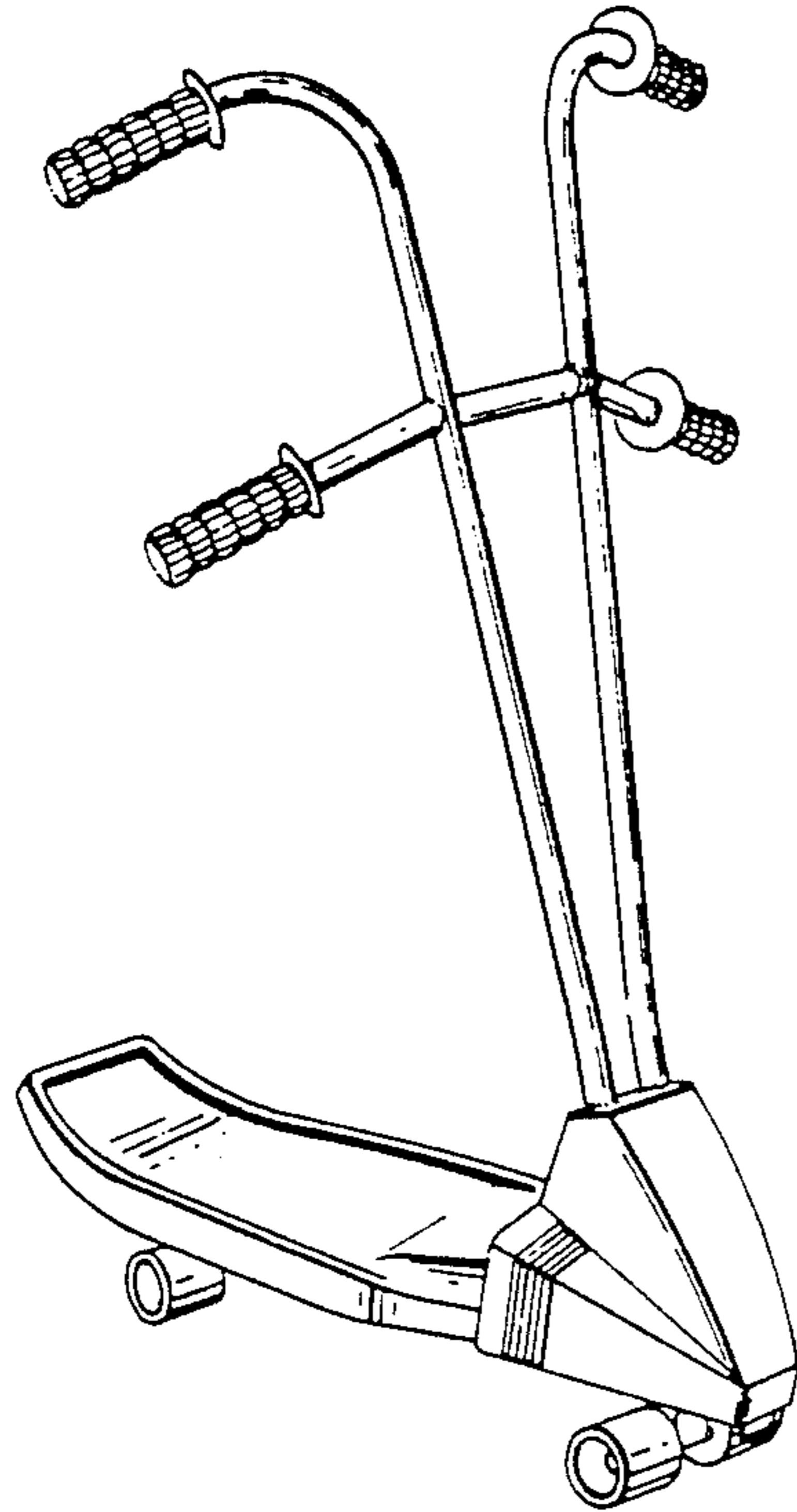


FIG. 1.

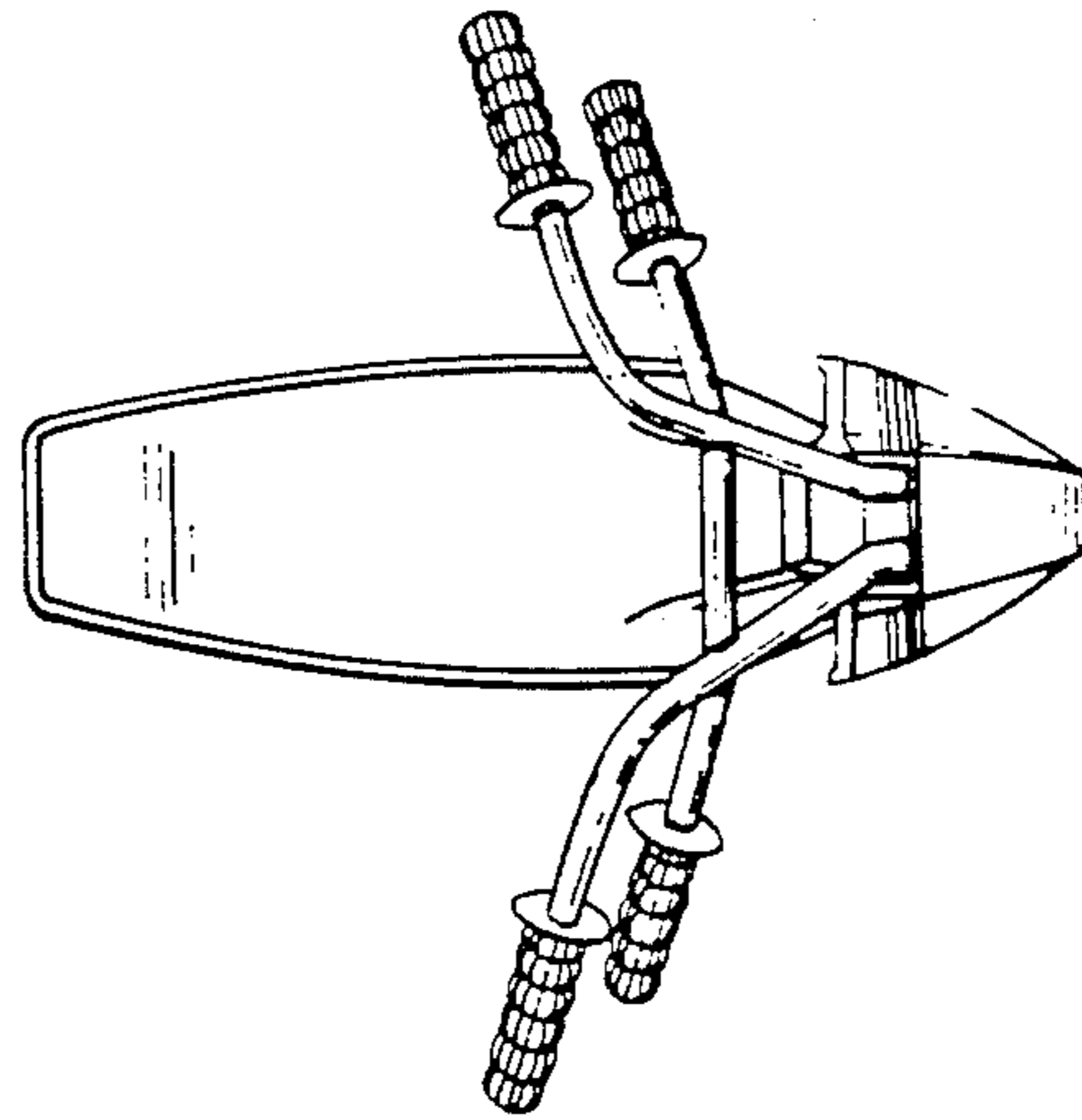


FIG. 2.

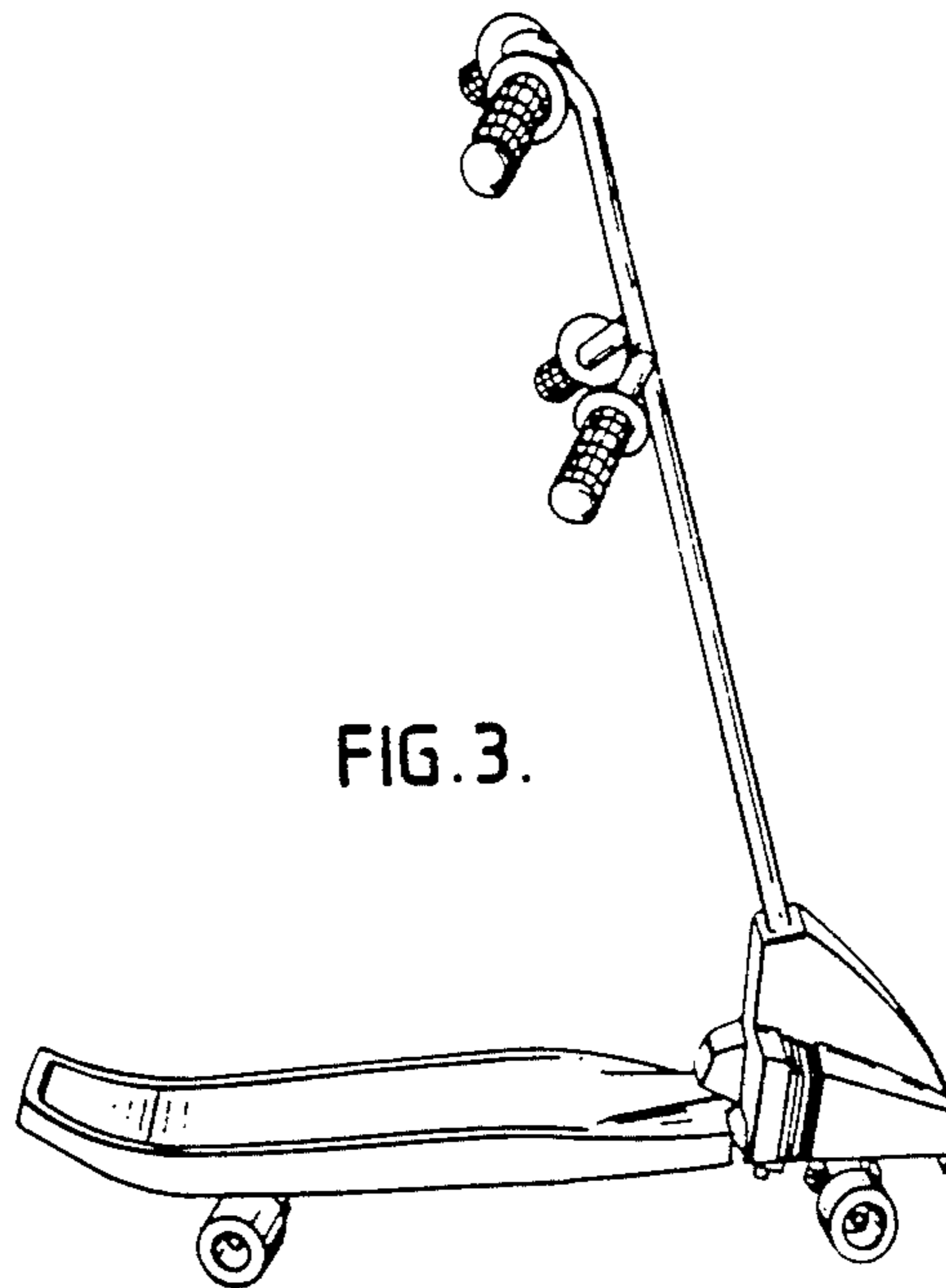


FIG. 3.